

CS-2511TES (38000001-)



Dokumenten

MUFFLER

Housing with tanks

handles

Clutch, chain brake, bar cover

AIR CLEANER

engine, oil pump

oil pump

cutting set, tool

Starter, Assy

Carburettor WT-1153B

Carburettor WT-1231

Accessories

ignition

Illustration MUFFLER

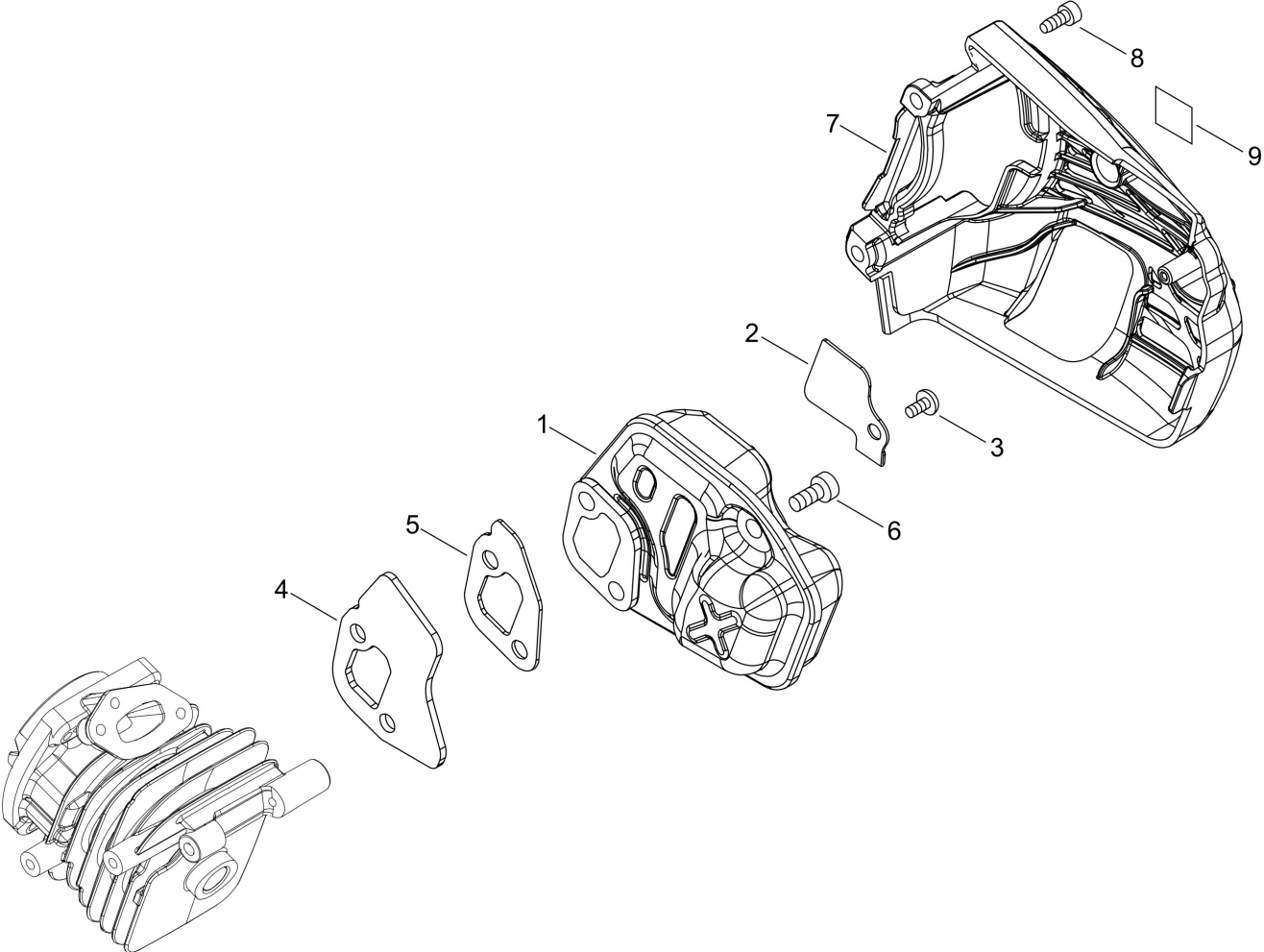


Illustration MUFFLER

Nr.	Antal	Kod	Beskrivning	Bilaga	Anmärkningar
1	1	A030000880	Muffler, CS-2511TES, 251Ts		
2	1	A310000490	SCREEN ARRESTOR		
3	1	90021604006	BOLT		
4	1	A312000090	PLATE, EXHAUST		
5	1	V104002290	GASKET, EXHAUST		
6	3	V805000150	BOLT, TORX 5		
7	1	A320001210	Exhaust cover, CS-2511TES		
8	2	V804000010	BOLT, TORX 4		
9	1	X505007710	Lable		

Illustration Housing with tanks

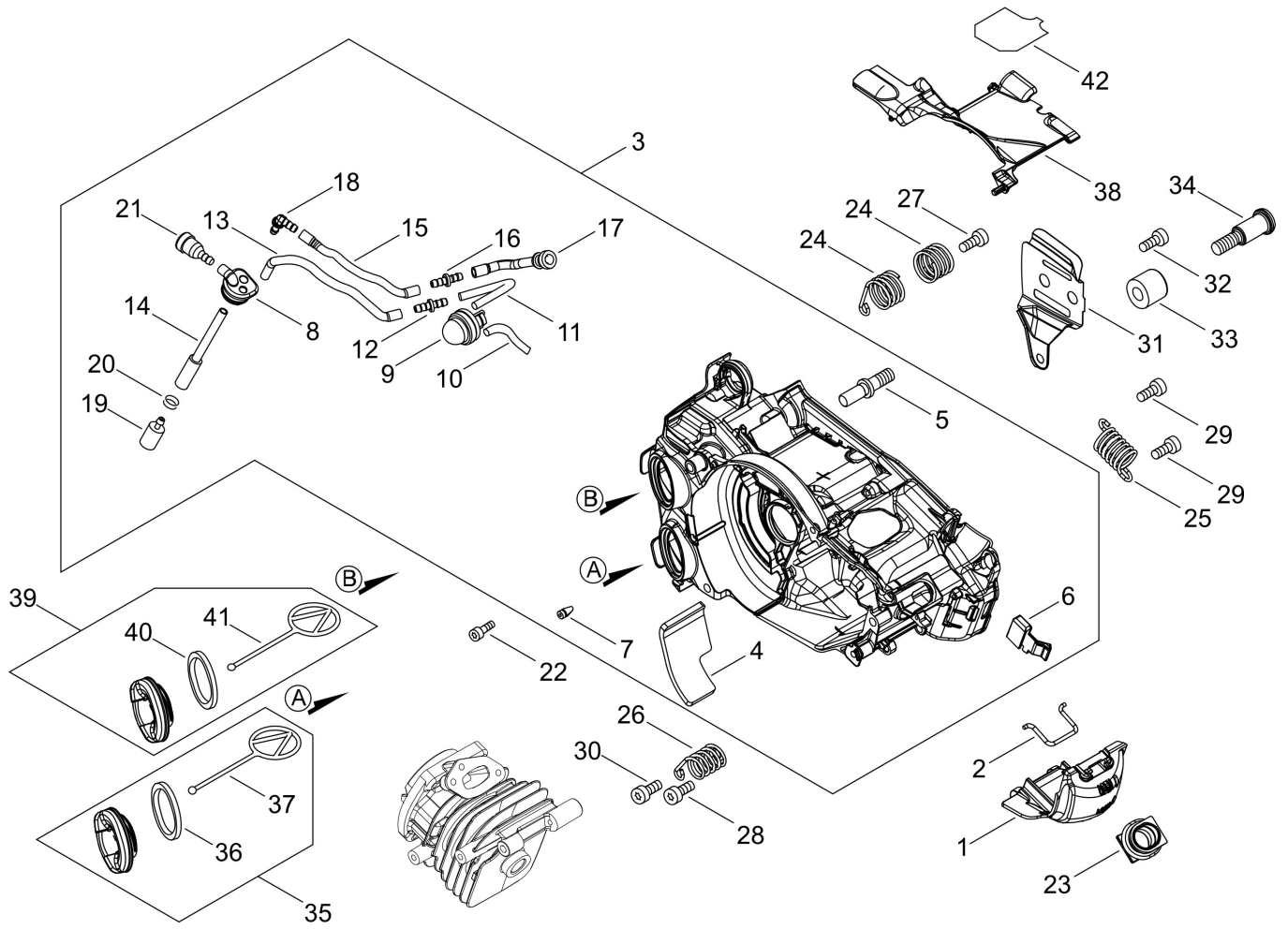


Illustration Housing with tanks

Nr.	Antal	Kod	Beskrivning	Bilaga	Anmärkningar
1	1	A429000200	COVER, CAP		
2	1	C649000440	HOOK		
3	1	P100004933	Motor housing complete, CS-2511TES from serial no.: 38000001		
4	1	V341000201	Plate, CS-2510TES		
5	1	V225000262	BOLT,STUD 8		
6	1	A219000071	Shutter, Air Inlet, CS-2511TES. 251Ts		
7	1	43611413930	VALVE, CHECK		
8	1	V137000140	GROMMET FUEL		
9	1	A035000040	Primer pump, CS-2511TES/CS-3510ES/251Ts/3 41AC		
10	1	V470002181	PIPE		
11	1	V471004871	GROMMET,FUEL		
12	1	V186000020	JOINT,PIPE		
13	1	V471003661	PIPE		
14	1	V470002210	PIPE		
15	1	V471003821	PIPE		
16	1	V186000510	JOINT, PIPE		
17	1	V470002191	PIPE		
18	1	V186000530	AUTO-OILER ASY		
19	1	A369000420	STRAINER, FUEL		
20	1	V490000500	CLIP		
21	1	13130056431	VENT ASSEMBLY, FUEL		
22	3	V804000100	BOLT, TORX 4		
23	1	A239000110	PIPE, INTAKE		
24	2	V450002050	SPRING,COMPRESSION		
25	1	V450002060	SPRING,COMPRESSION		
26	1	V450002070	SPRING,COMPRESSION		
27	1	V804000000	BOLT, TORX 4		
28	1	V804000000	BOLT, TORX 4		
29	2	V804000000	BOLT, TORX 4		
30	1	V804000010	BOLT, TORX 4		
31	1	C305000511	Inner oil baffle, CS-2511TES/251Ts/CS-2511WES/ DCS-2500T		
32	1	V203002280	BOLT, TORX 4		
33	1	C310000140	CATCHER, CHAIN		
34	1	V203002260	BOLT, 5		
35	1	A033000390	CAP FUEL		
36	1	V107000180	Gas cap gasket CS-2510TES, 250Ts		
37	1	A365000050	CONNECTOR,CAP		
38	1	A127000450	COVER,DUST		
39	1	A033000410	CAP FUEL		
40	1	V107000180	Gas cap gasket CS-2510TES, 250Ts		

Illustration Housing with tanks

Nr.	Antal	Kod	Beskrivning	Bilaga	Anmärkningar
41	1	A365000050	CONNECTOR,CAP		
42	1	X505010230	Caution label,CS-2511TES		

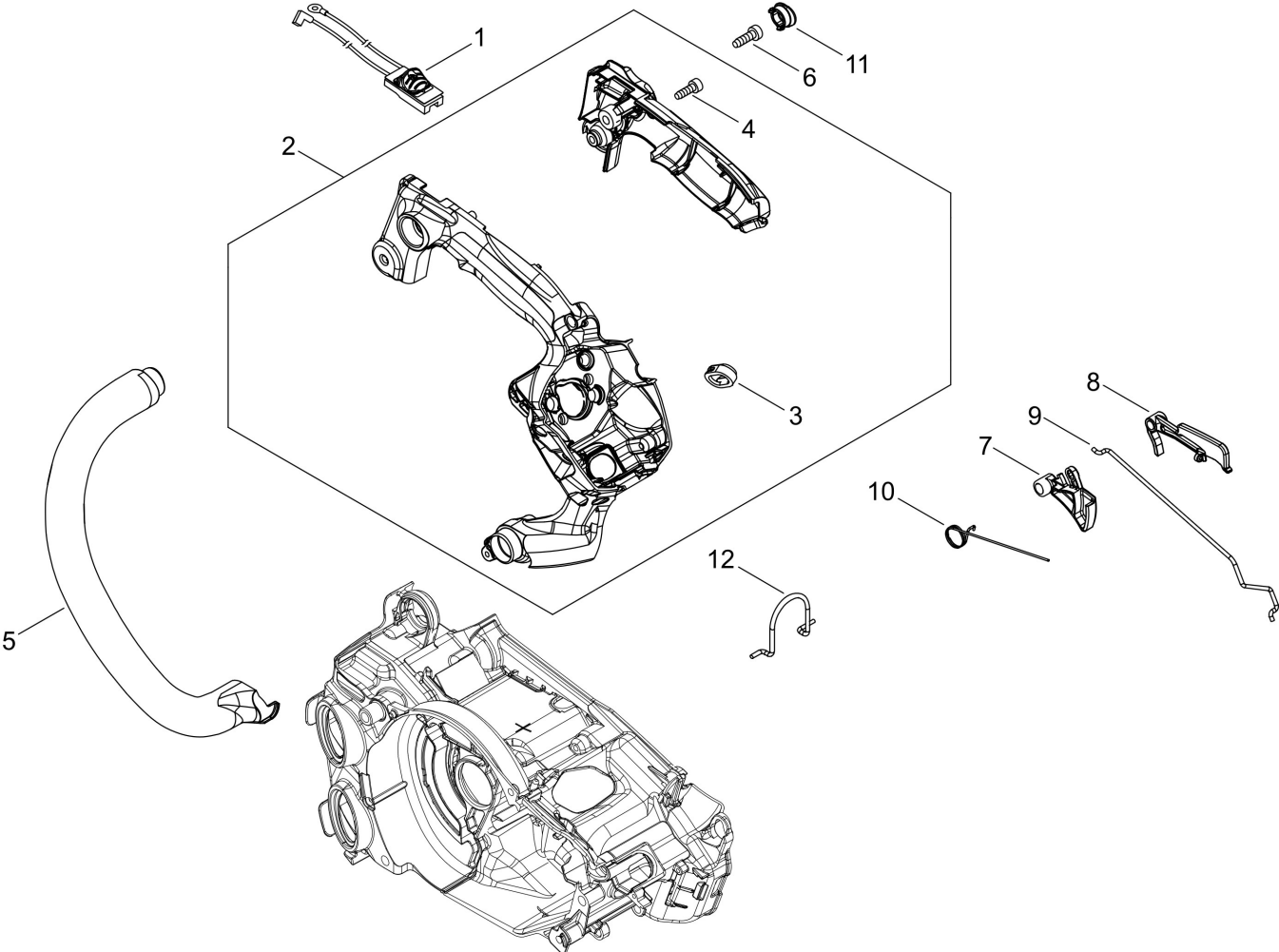


Illustration handles

Nr.	Antal	Kod	Beskrivning	Bilaga	Anmärkningar
1	1	A440002741	SWITCH, ON OFF		
2	1	P100002151	Handle top CS-2511TES		
3	1	V131000220	GROMMET, NEEDLE		
4	1	V804000010	BOLT, TORX 4		
5	1	C400001550	FRONT HANDLE		
6	1	V805000000	BOLT, TORX 5		
7	1	C450000951	CONTROL, THROTTLE		
8	1	C460000590	LOCKOUT, THROTTLE		
9	1	C454000540	ROD, THROTTLE		
10	1	V452001650	SPRING,TORSION		
11	1	V162000760	PLUG		
12	1	C646000132	RING,HARNESS		

Illustration Clutch, chain brake, bar cover

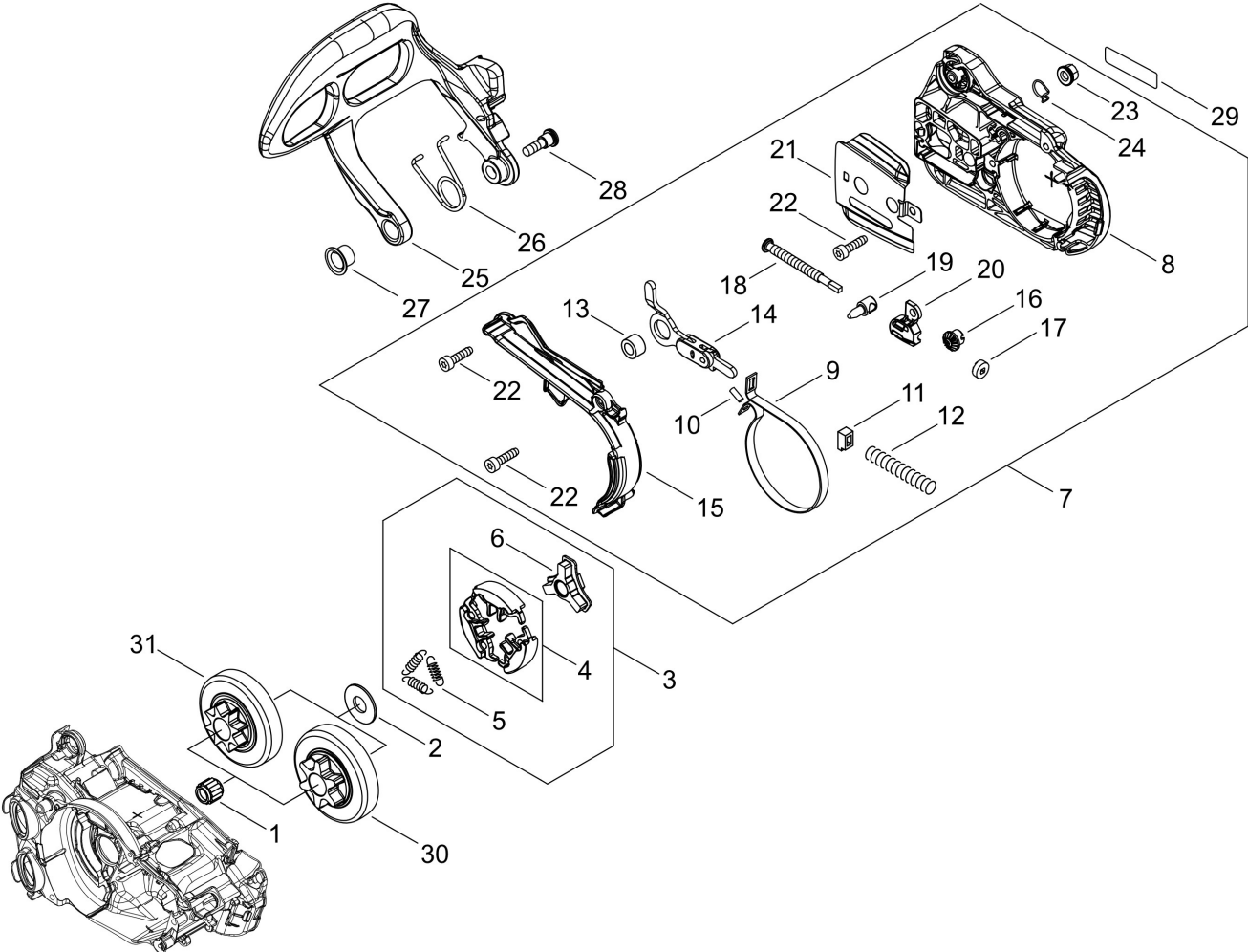


Illustration Clutch, chain brake, bar cover

Nr.	Antal	Kod	Beskrivning	Bilaga	Anmärkningar
1	1	V555000190	BEARING, NEEDLE 10		
2	1	A551000170	PLATE, CLUTCH		
3	1	A056000830	clutch cpl. CS-2511TES/251Ts		
4	1	P100004180	Clutch Shoes (3pcs) CS-2511TES/251Ts		
5	3	A566000290	SPRING, CLUTCH		
6	1	A552000430	HUB, CLUTCH		
7	1	P100002170	Sprocket cover cpl. with chain brake, CS-2511TES		
8	1	C300001140	Sprocket cover CS-2511TES		
9	1	C328000330	BAND, BRAKE		
10	1	9305030080	ROLLER		
11	1	V376000450	SPACER		
12	1	V450002080	SPRING, COMPRESSION		
13	1	V355000860	COLLAR, 8		
14	1	C334000340	CONNECTOR, BRAKE		
15	1	C345000640	COVER, BRAKE		
16	1	V651001060	GEAR, BEVEL		
17	1	V651000011	GEAR, BEVEL		
18	1	V203000041	BOLT, 5		
19	1	C309000110	TENSIONER, CHAIN		
20	1	V355000840	COLLAR, 8		
21	1	C305000521	Outer oil baffle, CS-2511TES/251Ts/DCS-2500T		
22	3	V804000000	BOLT, TORX 4		
23	1	V265000550	NUT, 8		
24	1	C649000420	HOOK		
25	1	C320000510	LEVER, BRAKE		
26	1	V452001660	SPRING, TORSION		
27	1	V356000780	COLLAR, 10		
28	1	V203002270	BOLT, 5		
29	1	X502000340	LABEL, ECHO		
30	1	A556001710	DRUM, CLUTCH 1/4 inch		
31	1	A556001720	DRUM, CLUTCH		

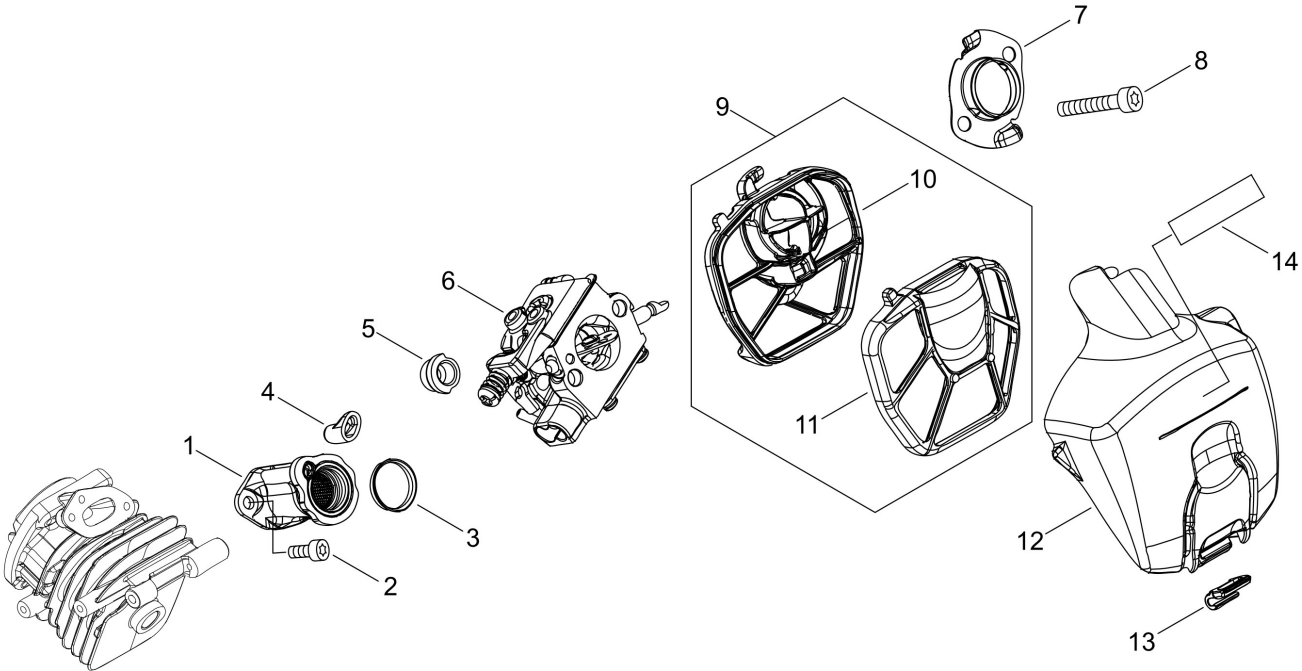


Illustration AIR CLEANER

Nr.	Antal	Kod	Beskrivning	Bilaga	Anmärkningar
1	1	A202000290	BELLOWS, INTAKE		
2	2	V804000040	BOLT, TORX 4		
3	1	V358000220	COLLAR, 14		
4	1	V351000030	COLLAR, 3		
5	2	V162000771	Cover carburetor CS-2511TES		
6	1	A021004522	Carburettor WT-1153B, CS-2511TES		bis S.-Nr.: 38010840
6	1	A021005160	Carburettor WT-1231, CS-2511TES		ab S.-Nr.: 38010841
7	1	A204000250	ELBOW CARBURETOR		
8	2	V805000070	BOLT TORX 5		
9	1	A226002140	Air filter complete, CS-2511TES, 251Ts		
10	1	A226002120	Air cleaner half, carburetor side, CS-2511TES, 251Ts		
11	1	A226002130	Air cleaner half, cover side, CS-2511TES, 251Ts		
12	1	A232001842	Air Cleaner Cover, CS-2511TES, 251Ts		
13	1	A235000410	KNOB, CLEANER LID		
14	1	X503014140	Decal, model CS-2511TES		

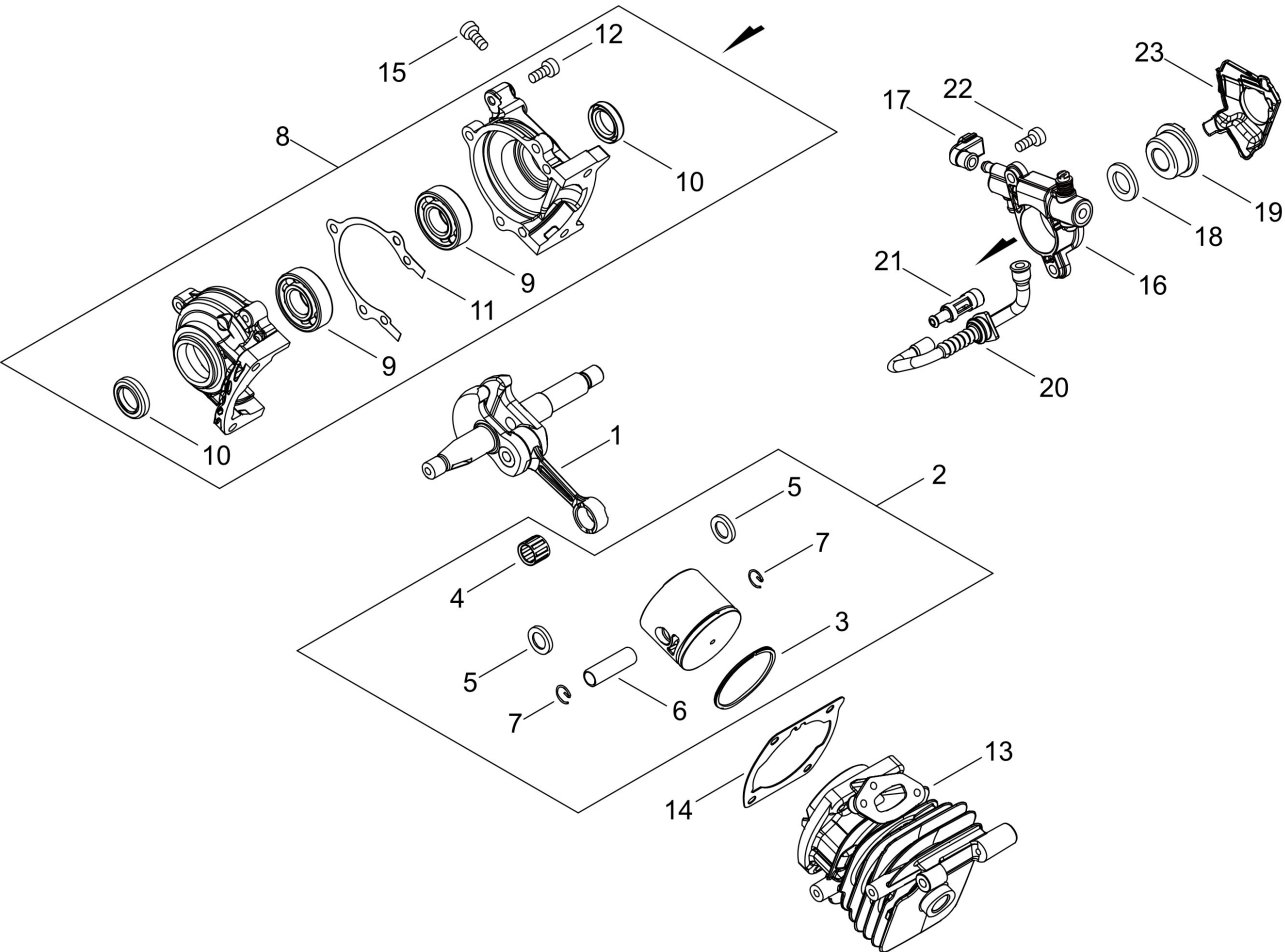


Illustration engine, oil pump

Nr.	Antal	Kod	Beskrivning	Bilaga	Anmärkningar
1	1	A011001440	CRANKSHAFT ASSY		
2	1	P021050120	PISTON KIT		
3	1	A101000700	RING, PISTON		
4	1	V553000020	Bearing, Needle		
5	2	10001455930	SPACER, PISTON PIN		
6	1	V606000020	PIN, ENG 8		
7	2	10001504630	CIRCLIP, PISTON PIN		
8	1	P021050130	CRANKCASE SET		
9	2	90080036001	BEARING, BALL 6001		
10	2	V505000070	OIL SEAL		
11	1	V102000290	GASKET,CRANKCASE		
12	3	V804000100	BOLT, TORX 4		
13	1	P021051920	Cylinder CS-2511, 251Ts		
14	1	V100000830	GASKET, CYL.		
15	4	V804000100	BOLT, TORX 4		
16	1	C022000211	Oil pump CS-2511TES/CS-2511WES/DCS-2 500T/251Ts		
17	1	V470002171	Oil hose chain lubrication, CS-2511TES, 251Ts		
18	1	V308000030	WASHER,CIRCULAR 11		
19	1	V652000230	GEAR, WORM		
20	1	V470002200	PIPE		
21	1	P021050140	Strainer Oil ASY		
22	2	V804000050	BOLT, TORX 4		
23	1	C236000150	COVER, OILER		

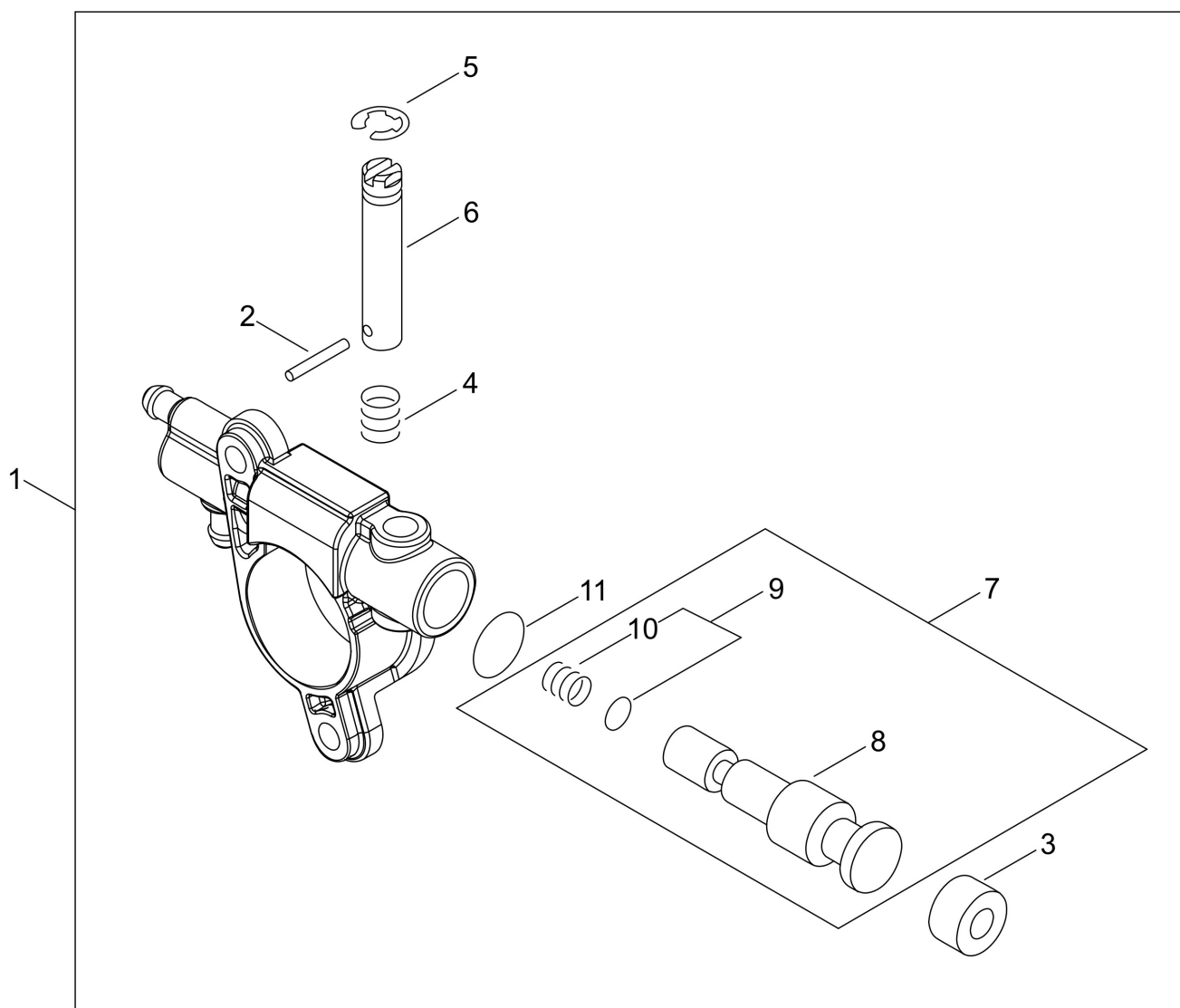


Illustration oil pump

Nr.	Antal	Kod	Beskrivning	Bilaga	Anmärkningar
1	1	C022000211	Oil pump CS-2511TES/CS-2511WES/DCS-2 500T/251Ts		
2	1	P003002180	PIN, SPRING		
3	1	43706238330	CAP, OIL PUMP		
4	1	43701537330	SPRING		
5	1	12312715030	RING		
6	1	P003005430	NEEDLE-ADJ		
7	1	P200000390	Piston Kit, Oil Pump CS-2511TES/CS-2511WES/ DCS-2500T/251Ts		
8	1	P003005990	Piston, oil pump CS-2511TES/CS-2511WES/DCS-2 500T/ 251Ts/251Ws		
9	1	P200000490	Spring washer kit, CS-2511TES/CS-2511WES/ DCS-2500T/251Ts/251Ws oil pump		
10	1	P003006000	Spring, oil pump CS-2511TES/CS-2511WES/DCS-2 500T/ 251Ts/251Ws		
11	1	P003005420	O-RING		

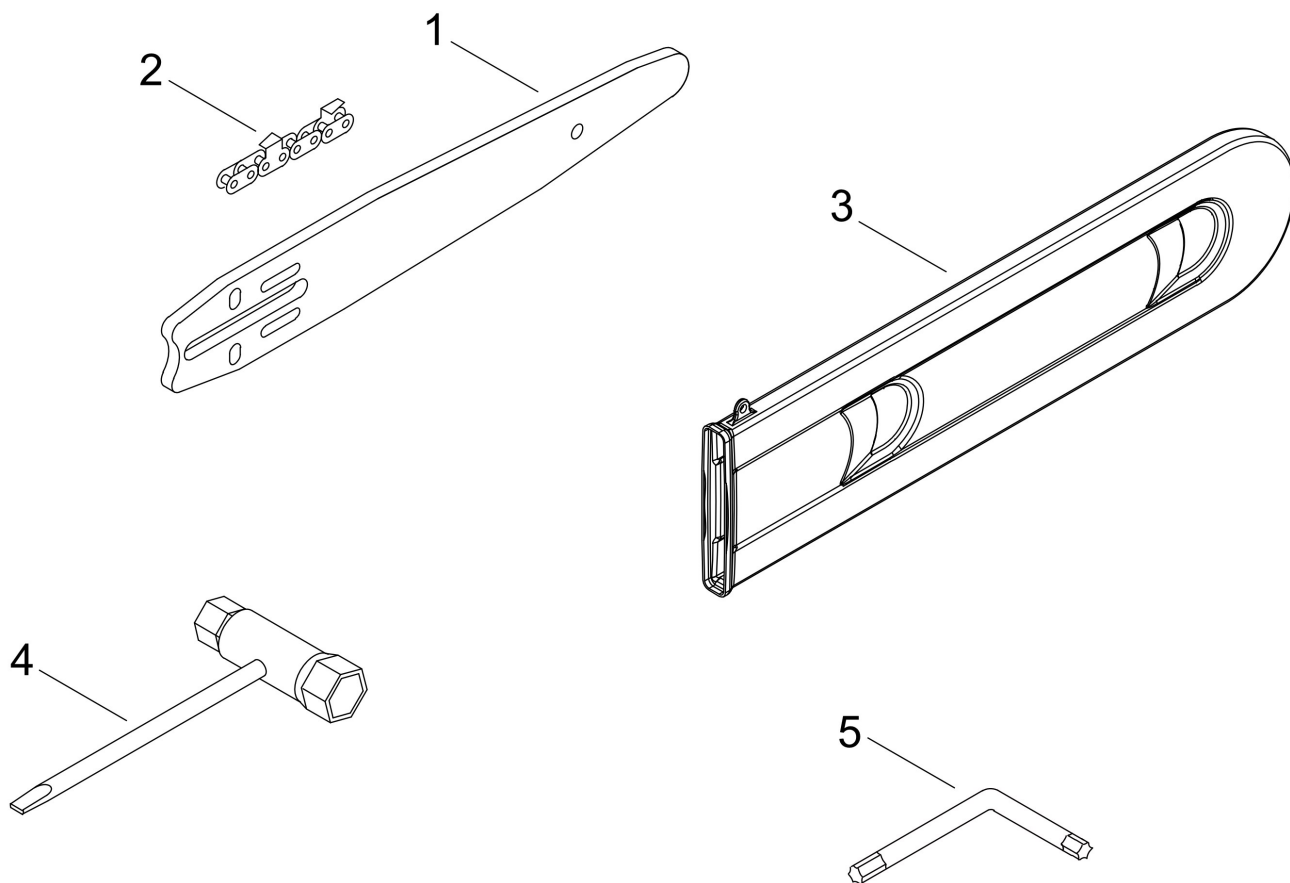


Illustration cutting set, tool

Nr.	Antal	Kod	Beskrivning	Bilaga	Anmärkningar
1	1	S-25RC-50-3/8	BAR GUIDE 25 No X121-000002		
1	1	S-25C-50SL-1/4	BAR FOR CHAIN SAW/X101-000010		
1	1	S-20C-50SLDEC-1/4	Carving machine 20 cm, 1/4 inch, ECHO 1.3 mm groove width		
2	1	KE-2513-3840	Saw chain - 25 cm, 3/8"H pitch, 40 drive links, 1.3 mm drive link thickness		
2	1	KE-2513-1460	Saw chain 25 cm 1/4" pitch, 60 drive links 1.3 mm drive link thickness		
2	1	KE-2013-1452	Saw chain 20 cm 1/4" pitch, 52 drive links 1.3 mm drive link thickness		
3	1	X490000840	SCABBARD,CHAIN		
4	1	X602000160	PLUG WRENCH		
5	1	X605000190	TOOL, L WRENCH		

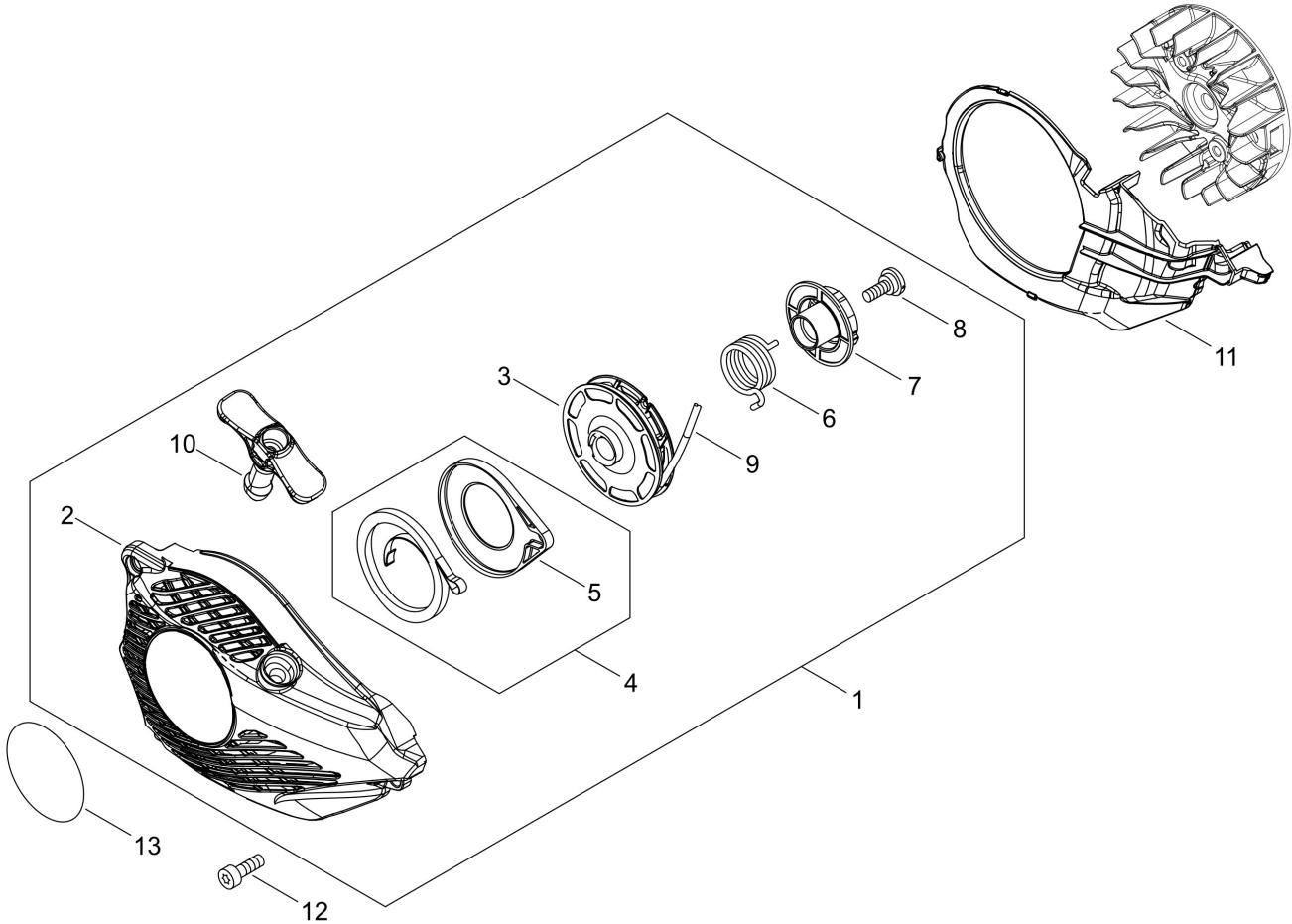


Illustration Starter, Assy

Nr.	Antal	Kod	Beskrivning	Bilaga	Anmärkningar
1	1	A051003132	Starter complete, CS-2511TES		
2	1	P022051080	Starter Housing CS-2511TES		
3	1	P022040050	DRUM, STARTER		
4	1	P022040060	SPRING KIT, REWIND		
5	1	P022040070	SPRING CASE		
6	1	P022036670	SPRING, DAMPER		
7	1	P022040080	PLATE, CAM		
8	1	17723661830	SCREW		
9	1	P022040090	ROPE, STARTER		
10	1	P022048980	Starter grip CS-2511TES		
11	1	A172003200	Cover, flywheel CS-2511TES, 251Ts		
12	3	V804000060	BOLT, TORX 4		
13	1	X502001110	Sticker, ECHO X-Series CS-2511TES/WES		

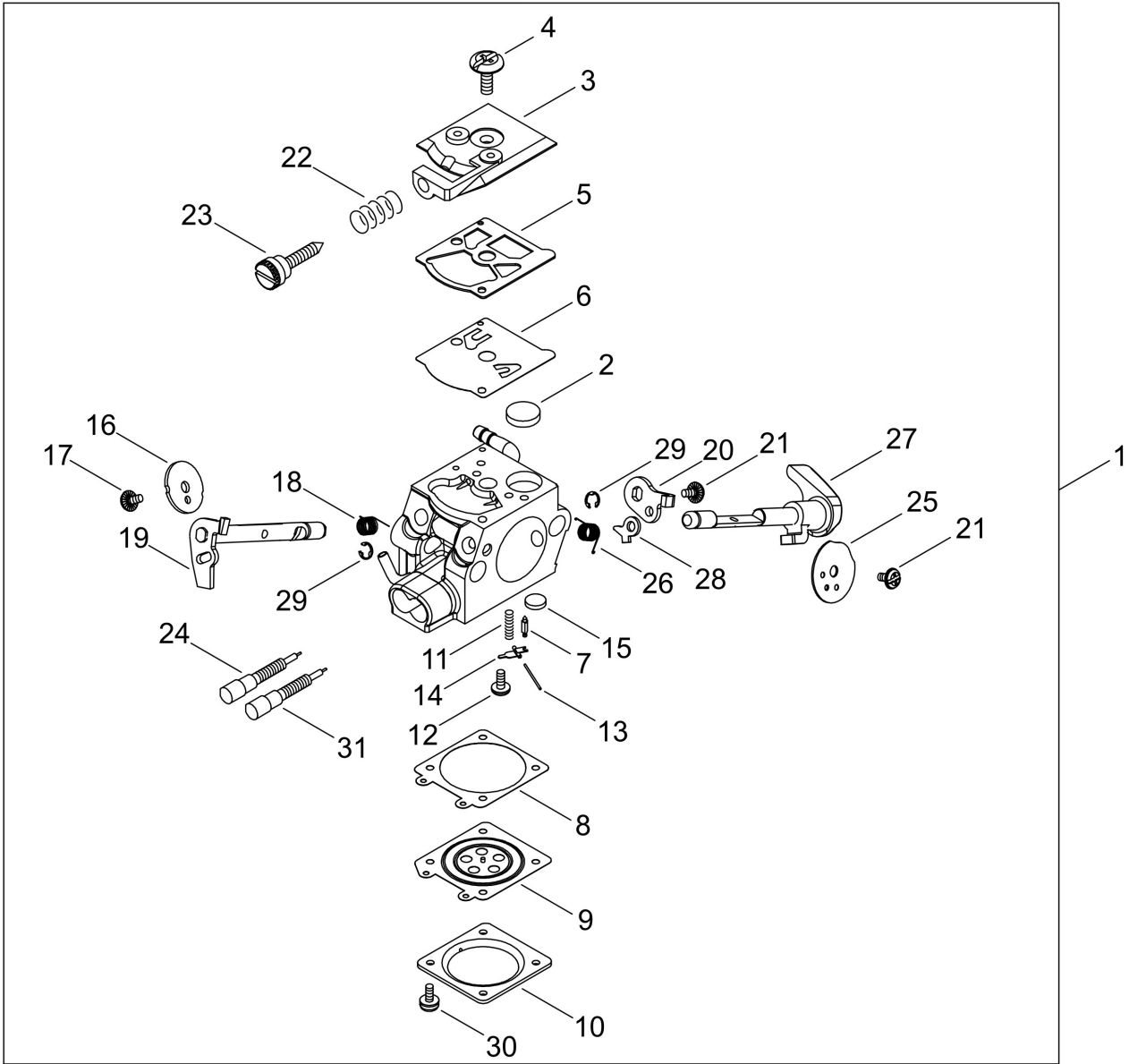


Illustration Carburettor WT-1153B

Nr.	Antal	Kod	Beskrivning	Bilaga	Anmärkningar
1	1	A021004522	Carburettor WT-1153B, CS-2511TES	TI_Y2018-659	
2	1	12312610631	SCREEN, INLET		
3	1	P003005980	Cover, carburetor CS-2511TES		
4	1	12311003930	SCREW, PUMP COVER		
5	1	12312515030	GASKET, FUEL PUMP		
6	1	12311215030	DIAPHRAGM, FUEL PUMP		
7	1	12313719830	VALVE, INLET NEEDLE		
8	1	12314027230	GASKET M. DIAPHRAGM		
9	1	P003001850	DIAPHRAGM, METERING		
10	1	12314203930	COVER, M. DIAPRAGM		
11	1	12312239830	Spring		
12	1	P003005400	Screw carburetor, PB-580		
13	1	12313803930	PIN,METERING LEVER		
14	1	12312303930	LEVER, METERING		
15	1	12314610631	PLUG, WELCH		
16	1	P003005750	VALVE, THROTTLE		
17	1	P003002380	BOLT		
18	1	12311337530	SPRING THROTTLE RTN		
19	1	P003001300	SHAFT, THROTTLE		
20	1	P003000380	Cover, Brake		
21	2	12311438830	SCREW		
22	1	12313304260	SPRING, IDLE ADJUST		
23	1	12313404260	ADJUST SCREW		
24	1	P003004190	NEEDLE		
25	1	P003000410	Valve Choke		
26	1	P003004780	SPRING		
27	1	P003005760	SHAFT CHOKE		
28	1	P003001510	LEVER-FAST IDLE		
29	2	12312715030	RING		
30	4	12313002960	SCREW		
31	1	P003004180	NEEDLE		

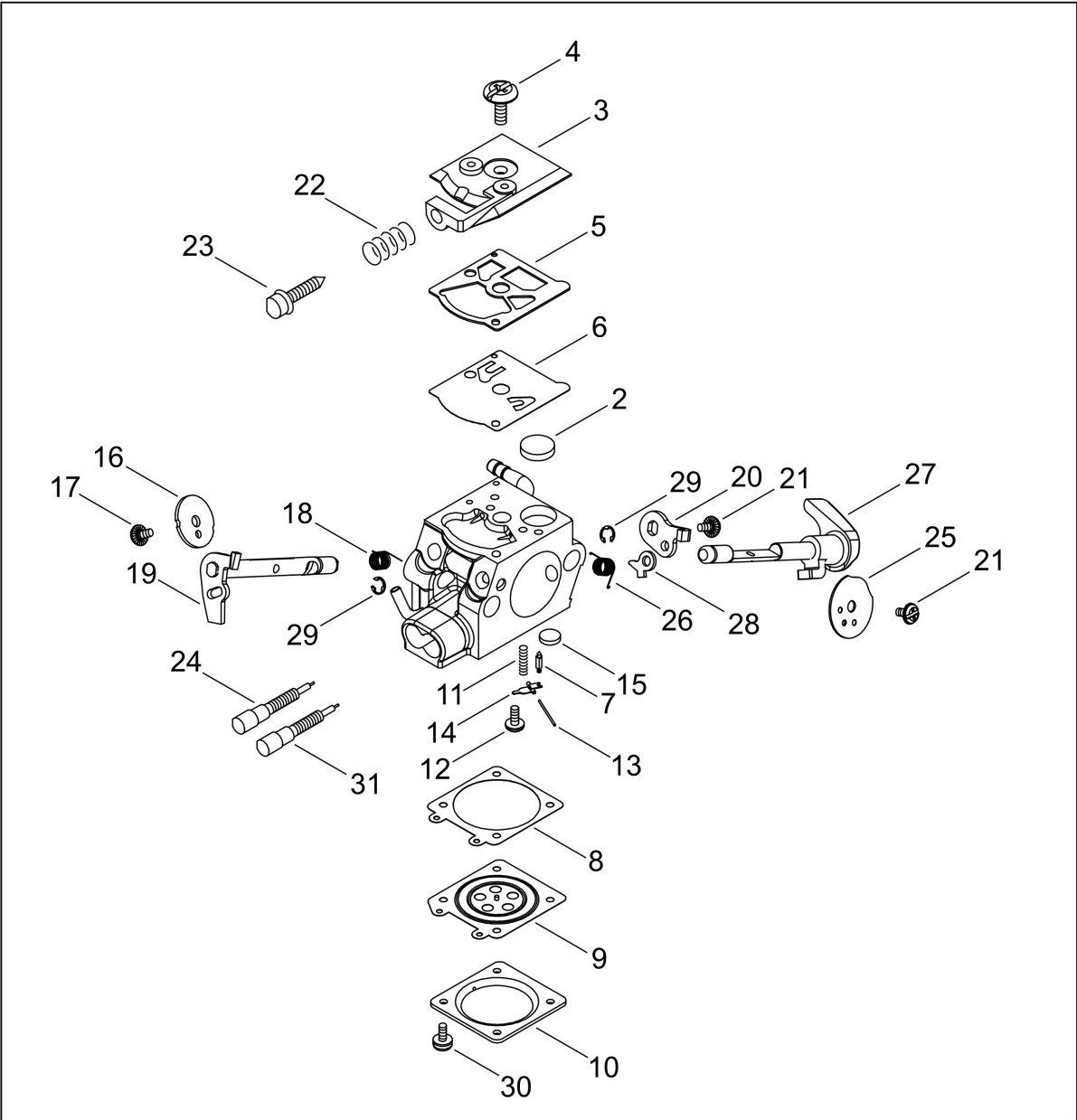


Illustration Carburettor WT-1231

Nr.	Antal	Kod	Beskrivning	Bilaga	Anmärkningar
1	1	A021005160	Carburettor WT-1231, CS-2511TES		
2	1	12312610631	SCREEN, INLET		
3	1	P003005980	Cover, carburetor CS-2511TES		
4	1	12311003930	SCREW, PUMP COVER		
5	1	12312515030	GASKET, FUEL PUMP		
6	1	12311215030	DIAPHRAGM, FUEL PUMP		
7	1	12313719830	VALVE, INLET NEEDLE		
8	1	12314027230	GASKET M. DIAPHRAGM		
9	1	P003001850	DIAPHRAGM, METERING		
10	1	12314203930	COVER, M. DIAPRAGM		
11	1	12312239830	Spring		
12	1	P003005400	Screw carburetor, PB-580		
13	1	12313803930	PIN,METERING LEVER		
14	1	12312303930	LEVER, METERING		
15	1	12314610631	PLUG, WELCH		
16	1	P003005750	VALVE, THROTTLE		
17	1	P003002380	BOLT		
18	1	12311337530	SPRING THROTTLE RTN		
19	1	P003001300	SHAFT, THROTTLE		
20	1	P003000380	Cover, Brake		
21	2	12311438830	SCREW		
22	1	12313304260	SPRING, IDLE ADJUST		
23	1	P003006290	D screw, idle adjustment carburetor		
24	1	P003004190	NEEDLE		
25	1	P003000410	Valve Choke		
26	1	P003004780	SPRING		
27	1	P003005760	SHAFT CHOKE		
28	1	P003001510	LEVER-FAST IDLE		
29	2	12312715030	RING		
30	4	12313002960	SCREW		
31	1	P003004180	NEEDLE		

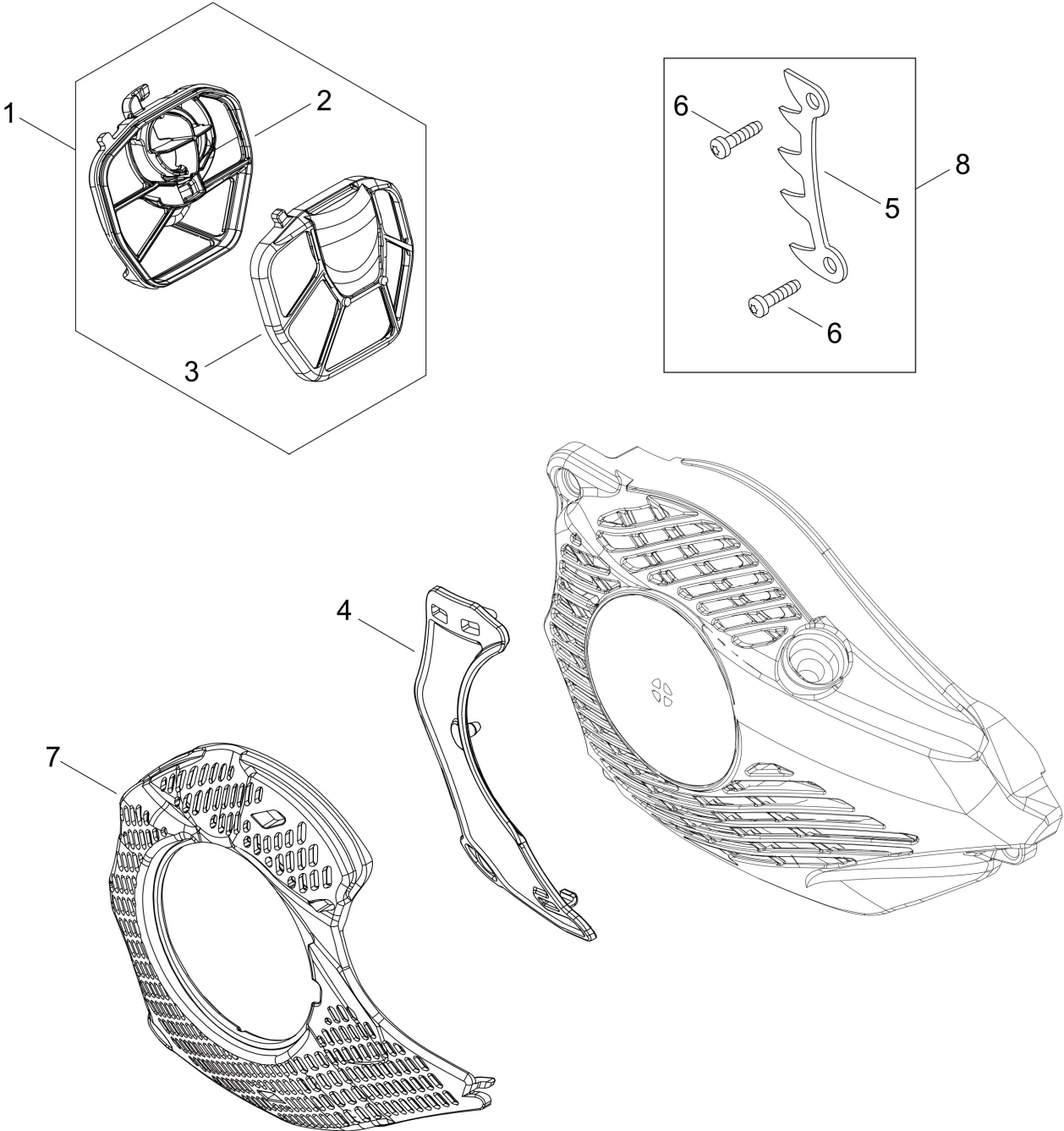


Illustration Accesories

Nr.	Antal	Kod	Beskrivning	Bilaga	Anmärkningar
1	1	A226001991	Air filter complete, CS-2511TES/251Ts		
2	1	A226001970	Air filter half, carburetor side, 251Ts		
3	1	A226001981	Air filter half, cover side, 251Ts		
4	1	C418000150	Cover for winter operation, CS-2510TES, 251Ts		
5	1	C304000000	SPIKE		
6	2	V805000240	BOLT, TORX 5		
7	1	A127000480	Dust cover, CS-2511TES/251Ts/CS-2511WES		
8	1	P200000150	Stop claw with screws, CS-2511TES/251Ts		

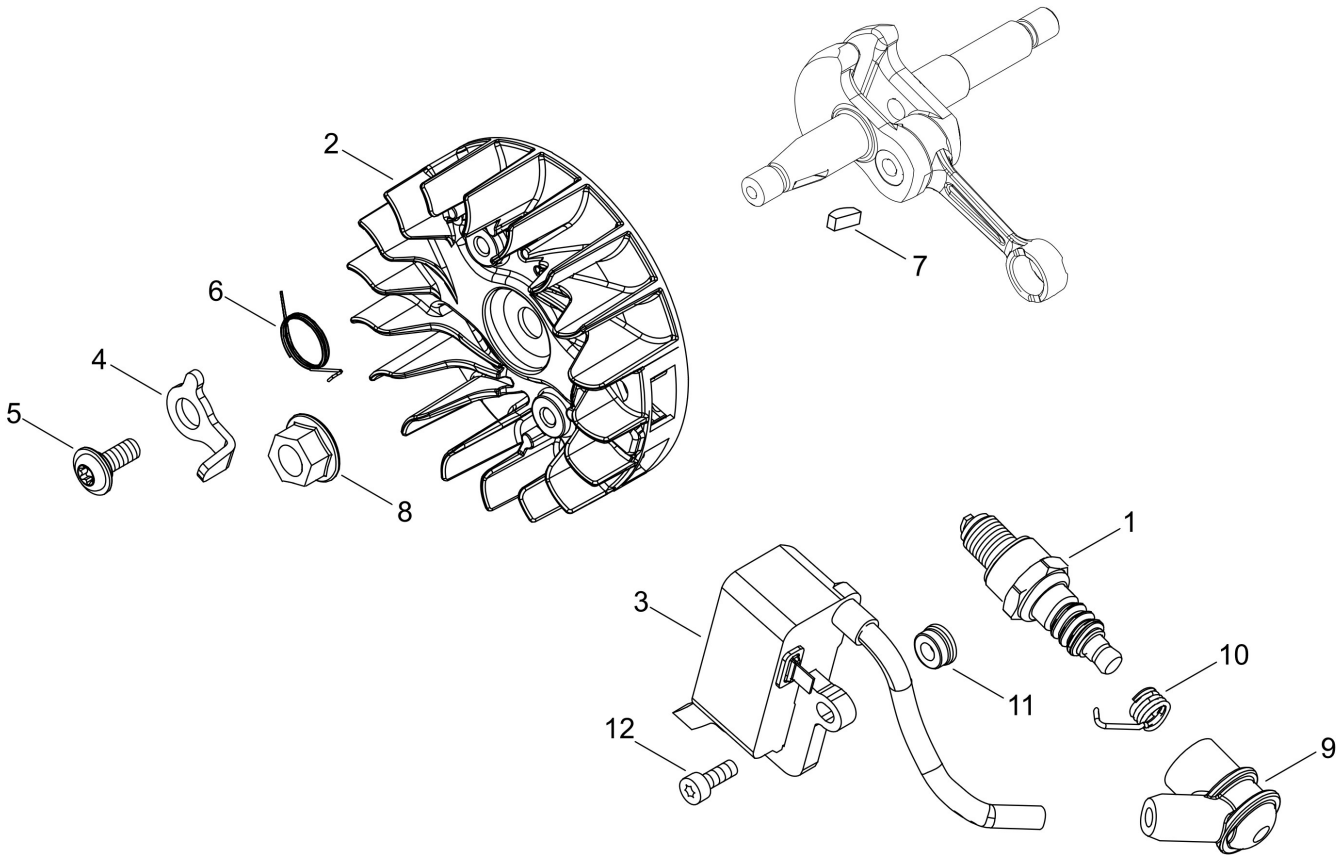


Illustration ignition

Nr.	Antal	Kod	Beskrivning	Bilaga	Anmärkningar
1	1	A425000060	SPARKPLUG	TI_Y2019-662	
1	1	NGK-CMR7H-10	Spark plug, especially for low temperatures	TI_Y2019-662	
2	1	A409001300	ROTOR,MAGNETO		
3	1	P100006570	COIL IGNITION	TI_Y2018-660	
4	2	A514000300	PAWL		
5	2	V203002250	BOLT, 5		
6	2	V452000030	SPRING, TORSION		
7	1	10014212330	KEY, WOODRUFF		
8	1	V265000140	NUT		
9	1	A427000190	CAP, SPARK PLUG		
10	1	A426000010	TERMINAL,SPARKPLUG		
11	2	V352000300	COLLAR, 4		
12	2	V804000060	BOLT, TORX 4		