

CS-2511WES_40000001



Dokumenten

01_CYLINDER__PISTON__CRANKSHAFT

02_ENGINE_COVER

03_MAGNETO

04_AIR_CLEANER__CARBURETOR

05_CARBURETOR

06_MUFFLER

07_RECOIL_STARTER

08_HANDLE

09_CHAIN_BRAKE

10_ACCESSORIES

11_OILER

12_GUIDE_BAR_CHAIN

13_OPTION_PARTS

Illustration 01_CYLINDER_PISTON_CRANKSHAFT

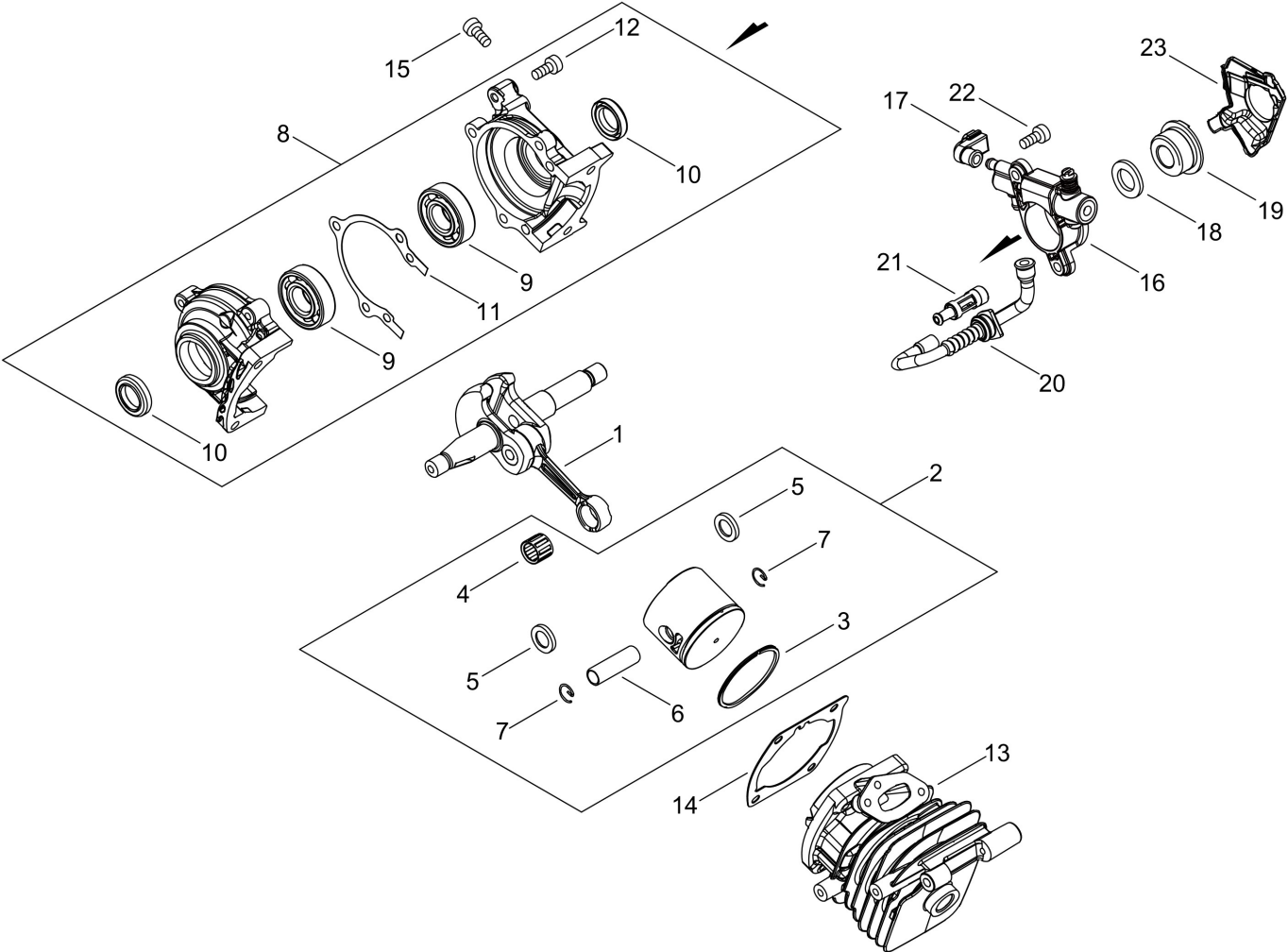


Illustration 01_CYLINDER__PISTON__CRANKSHAFT

Nr.	Antal	Kod	Beskrivning	Bilaga	Anmärkning
1	1	A011-001440	CRANKSHAFT,ASM		
2	1	P021-050120	PISTON KIT		
3	1	A101-000700	RING, PISTON		35*B1.2*T1.6
4	1	V553-000020	BEARING,NEEDLE 8		8X11X8.8X4
5	2	100014-55930	SPACER, PISTON PIN		
6	1	V606-000020	PIN,ENG 8		5.8*8*25.5
7	2	100015-04630	CIRCLIP, PISTON PIN		
8	1	P021-050130	CRANKCASE SET		
9	2	900800-36001	BEARING, BALL		6001
10	2	V505-000070	OIL SEAL		
11	1	V102-000290	GASKET,CRANKCASE		T0.3
12	3	V804-000100	BOLT, TORX 4		4*16
13	1	P021-051920	CYLINDER		
14	1	V100-000830	GASKET,CYL		T0.5
15	4	V804-000100	BOLT, TORX 4		4*16
16	1	C022-000211	AUTO-OILER ASSEMBLY		OP-27C(B)
17	1	V470-002171	PIPE		
18	1	V308-000030	WASHER,CIRCULAR 11		10.5*17.4*1.8
19	1	V652-000230	GEAR,WORM		
20	1	V470-002200	PIPE		
21	1	P021-050140	STRAINER, OIL ASY		
22	2	V804-000050	BOLT, TORX 4		4*12
23	1	C236-000150	COVER,OILER		

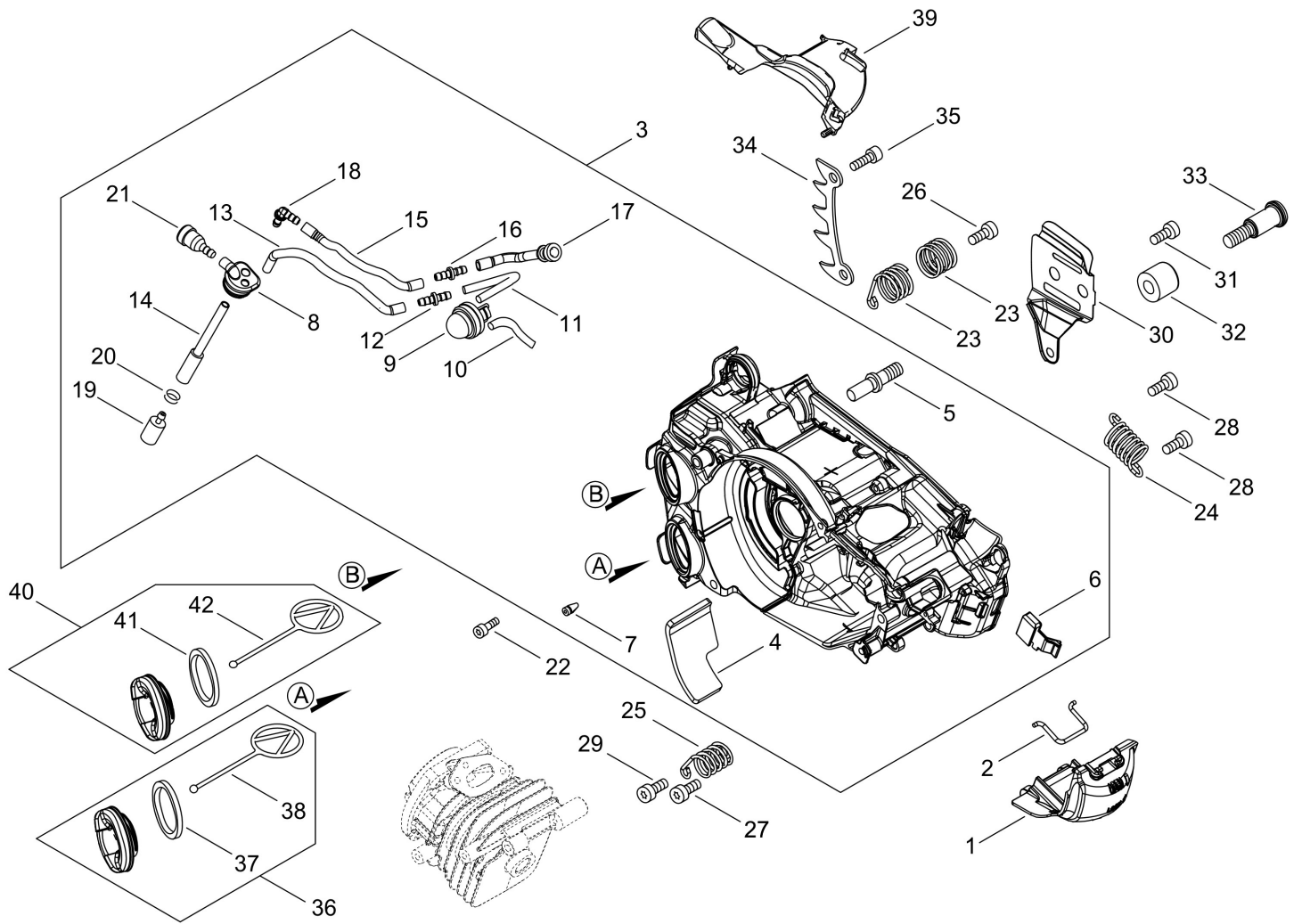


Illustration 02_ENGINE_COVER

Nr.	Antal	Kod	Beskrivning	Bilaga	Anmärkningar
1	1	A429-000200	COVER,CAP		
2	1	C649-000440	HOOK		
3	1	P100-011360	COVER ENGINE ASY		
4	1	V341-000201	WASHER,SQUARE		
5	1	V225-000263	"BOLT,STUD 8"		
6	1	A219-000071	SHUTTER, AIR		
7	1	436114-13930	VALVE, CHECK		
8	1	V137-000140	GROMMET,FUEL		
9	1	A035-000040	PUMP, FUEL		
10	1	V470-002181	PIPE		
11	1	V471-004871	PIPE		3*5*56.5
12	1	V186-000020	JOINT,PIPE		
13	1	V471-003661	PIPE		3*5*115
14	1	V470-002210	PIPE		
15	1	V471-005530	PIPE		3*5*84
16	1	V186-000510	JOINT,PIPE		
17	1	V470-002191	PIPE		
18	1	V186-000530	JOINT,PIPE		
19	1	A369-000420	STRAINER, FUEL		
20	1	V490-000500	CLIP		
21	1	131300-56431	VENT ASSEMBLY, FUEL		
22	3	V804-000100	BOLT, TORX 4		4*16
23	2	V450-002300	SPRING,COMPRESSION		
24	1	V450-002060	SPRING,COMPRESSION		
25	1	V450-002310	SPRING,COMPRESSION		
26	1	V804-000000	BOLT, TORX 4		4*12
27	1	V804-000000	BOLT, TORX 4		4*12
28	2	V804-000000	BOLT, TORX 4		4*12
29	1	V804-000010	BOLT, TORX 4		4*16
30	1	C305-000511	PLATE,SPROCKET GUARD		T0.3
31	1	V203-002280	BOLT,5		
32	1	C310-000140	CATCHER, CHAIN		
33	1	V203-002260	BOLT,5		
34	1	C304-000000	SPIKE		
35	2	V805-000240	BOLT, TORX 5		5*12
36	1	A033-000390	OIL,CAP		
37	1	V107-000180	GASKET,FUEL CAP		
38	1	A365-000050	CONNECTOR,CAP		
39	1	A127-000560	COVER,DUST		
40	1	A033-000410	"CAP,FUEL"		
41	1	V107-000180	GASKET,FUEL CAP		
42	1	A365-000050	CONNECTOR,CAP		

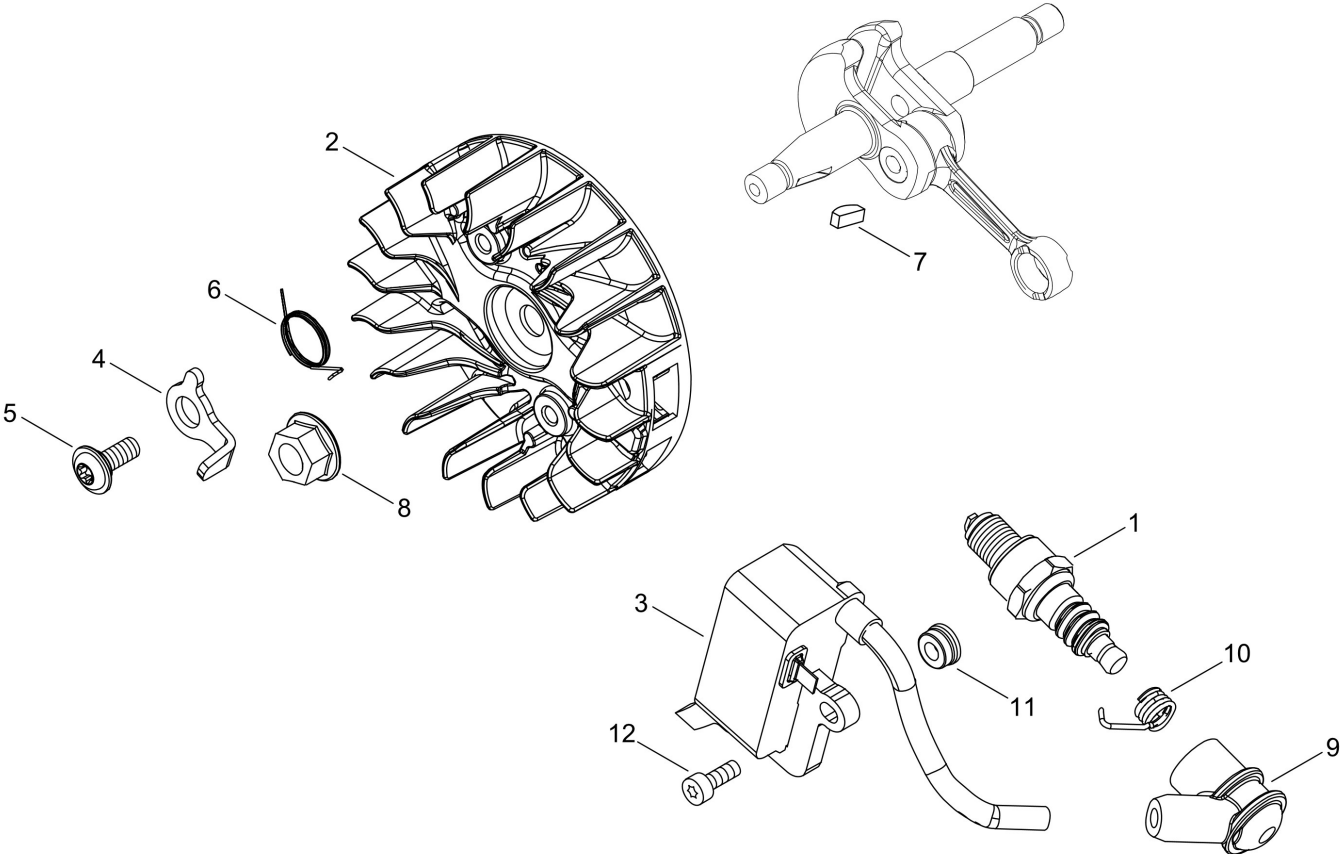


Illustration 03_MAGNETO

Nr.	Antal	Kod	Beskrivning	Bilaga	Anmärkningar
1	1	A425-000070	SPARKPLUG		CMR7H-10
2	1	A409-001300	ROTOR, MAGNETO		
3	1	P100-006570	COIL, IGNITION		
4	2	A514-000300	PAWL		
5	2	V203-002250	BOLT,5		
6	2	V452-000030	SPRING,TORSION		
7	1	100142-12330	KEY, WOODRUFF		
8	1	V265-000140	NUT		
9	1	A427-000190	CAP,SPARK PLUG		
10	1	A426-000010	TERMINAL,SPARKPLUG		
11	2	V352-000300	COLLAR,4		4.5*8.3*4.6
12	2	V804-000060	BOLT, TORX 4		4*16

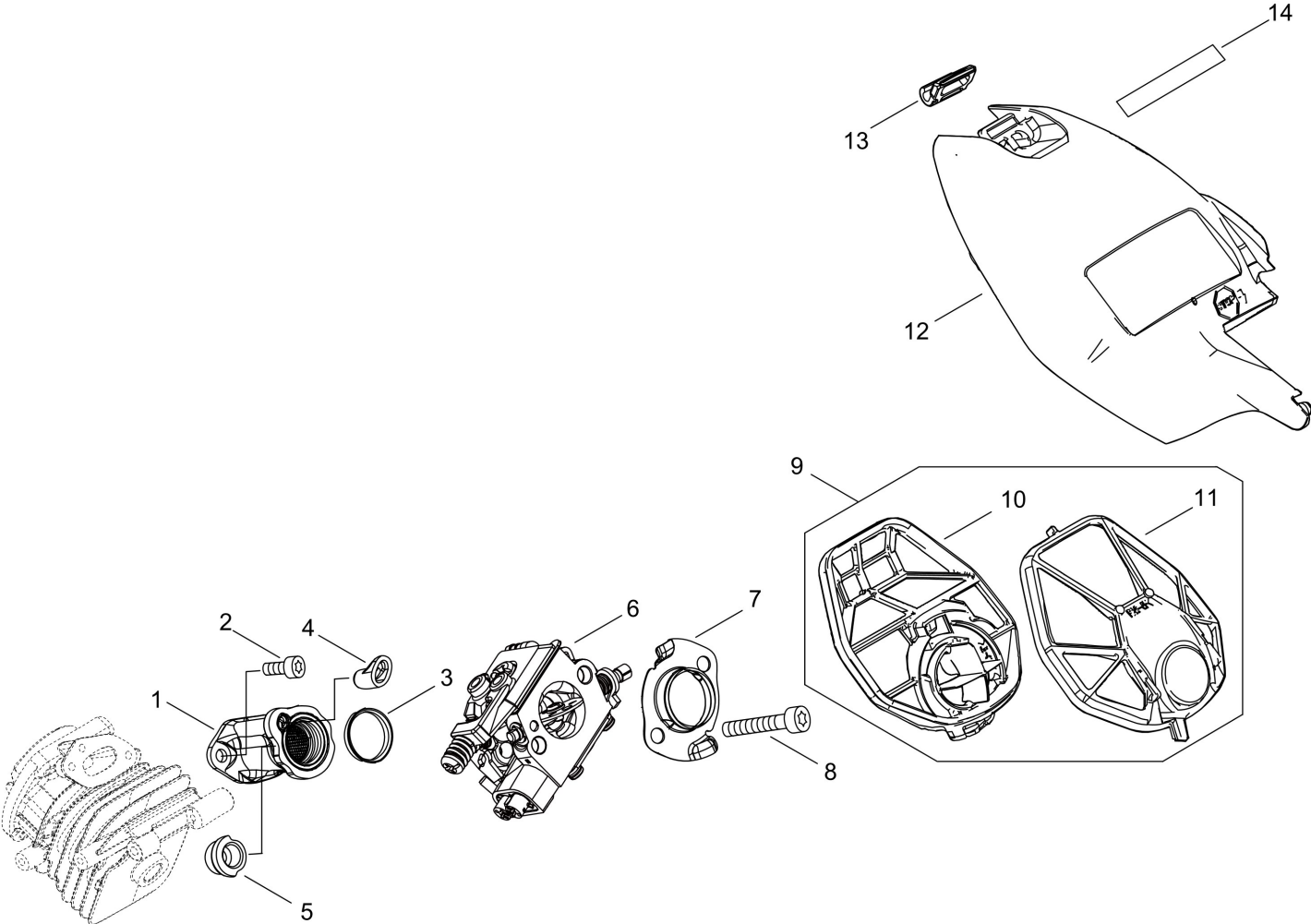


Illustration 04_AIR_CLEANER__CARBURETOR

Nr.	Antal	Kod	Beskrivning	Bilaga	Anmärkningar
1	1	A202-000290	BELLOWS, INTAKE		
2	2	V804-000040	BOLT, TORX 4		4*10
3	1	V358-000220	COLLAR,14		14*16*2.5
4	1	V351-000030	COLLAR,3		
5	2	V162-000771	PLUG		
6	1	A021-005020	CARBURETOR,DIAPHRAGM		
7	1	A204-000250	ELBOW, CARBURETOR		T:0.5
8	2	V805-000070	BOLT, TORX 5		5*40
9	1	A226-002310	ELEMENT, AIR FILTER		
10	1	A226-002290	ELEMENT, AIR FILTER		
11	1	A226-002300	ELEMENT, AIR FILTER		
12	1	A232-002030	LID,CLEANER		
13	1	A235-000410	KNOB,CLEANER LID		
14	1	X503-015310	LABEL,MODEL		

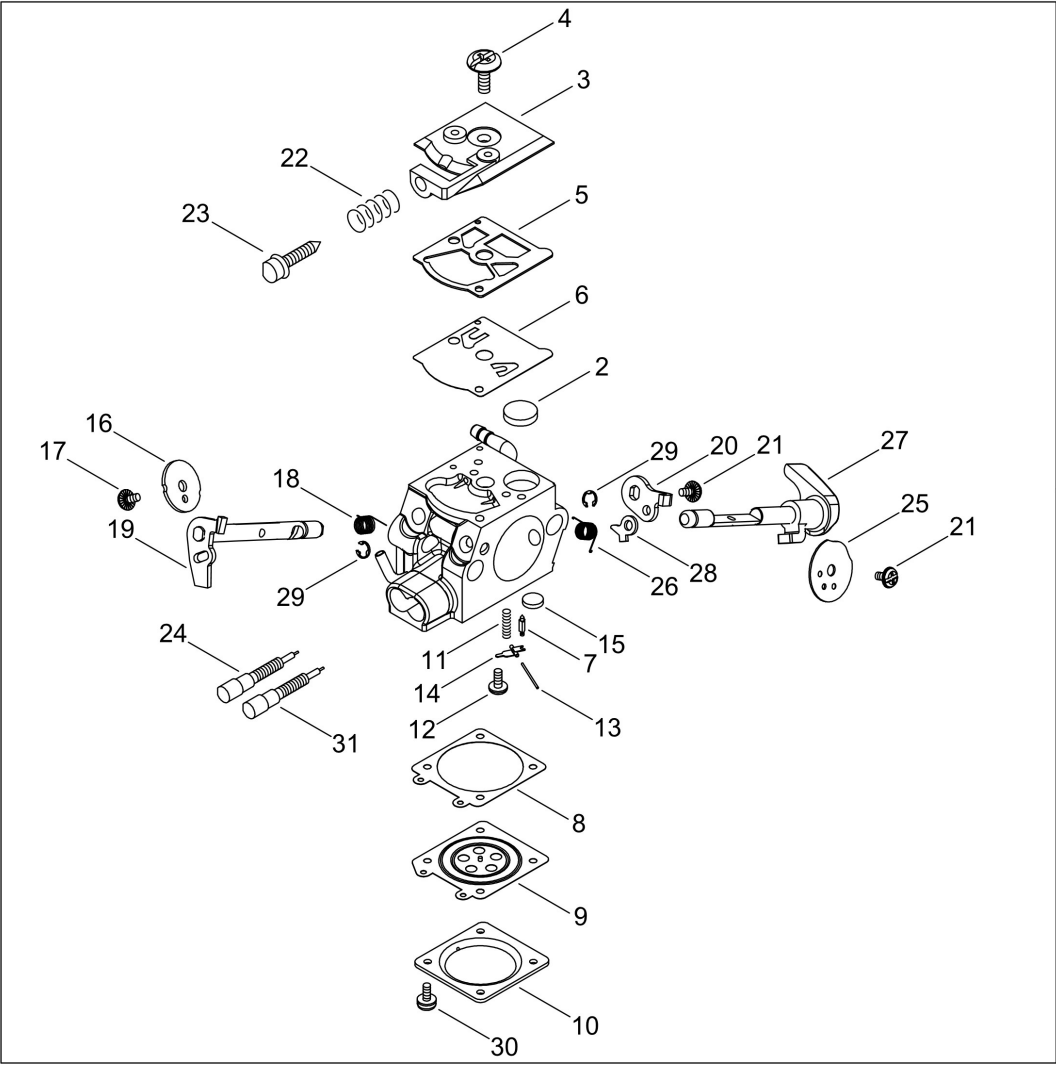


Illustration 05_CARBURETOR

Nr.	Antal	Kod	Beskrivning	Bilaga	Anmärkningar
1	1	A021-005020	CARBURETOR,DIAPHRAGM		
2	1	123126-10631	SCREEN, INLET		
3	1	P003-005980	COVER, FUEL PUMP		
4	1	123110-03930	SCREW, PUMP COVER		
5	1	123125-15030	GASKET, FUEL PUMP		
6	1	123112-15030	DIAPHRAGM, FUEL PUMP		
7	1	123137-19830	VALVE, INLET NEEDLE		
8	1	123140-27230	GASKET,M. DIAPHRAGM		
9	1	P003-001850	DIAPHRAGM, METERING		
10	1	123142-03930	COVER, M. DIAPHRAGM		
11	1	123122-39830	SPRING, METER. LEVER		
12	1	P003-005400	SCREW		
13	1	123138-03930	PIN, METERING LEVER		
14	1	123123-03930	LEVER, METERING		
15	1	123146-10631	PLUG, WELCH		
16	1	P003-005750	VALVE, THROTTLE		
17	1	P003-002380	SCREW		
18	1	123113-37530	SPRING, THROTTLE RTN		
19	1	P003-001300	SHAFT, THROTTLE		
20	1	P003-005080	LEVER, THROTTLE		
21	2	123114-38830	SCREW		
22	1	123133-04260	SPRING, IDLE ADJUST		
23	1	P003-006290	SCREW, IDLE ADJUST		
24	1	P003-004190	NEEDLE		
25	1	P003-000410	VALVE CHOKE		
26	1	P003-004780	SPRING		
27	1	P003-006300	SHAFT-CHOKE(MOLD)		
28	1	P003-001510	LEVER-FAST IDLE		
29	2	123127-15030	RING		
30	4	123130-02960	SCREW		
31	1	P003-004180	NEEDLE		

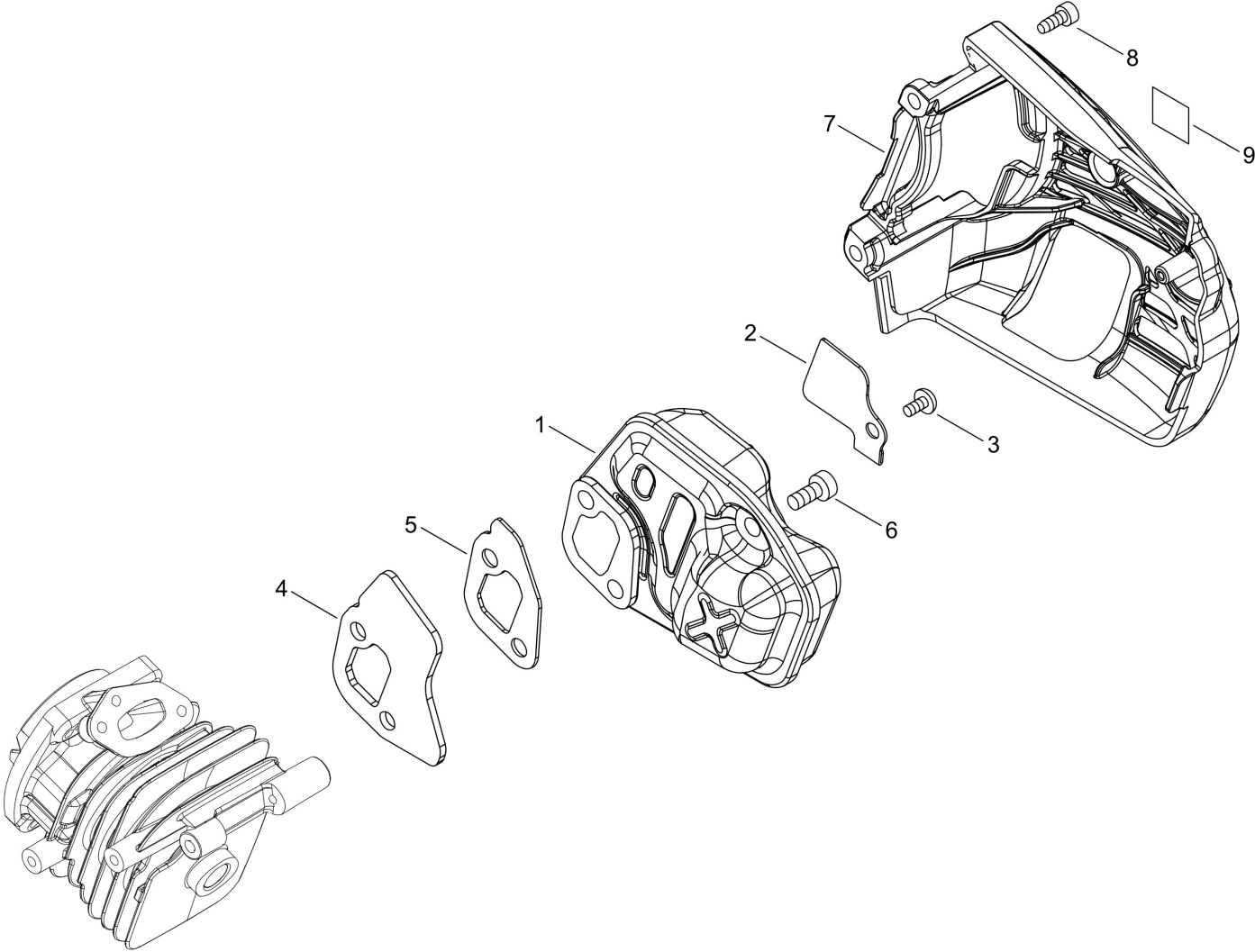


Illustration 06_MUFFLER

Nr.	Antal	Kod	Beskrivning	Bilaga	Anmärkningar
1	1	A030-000880	MUFFLER ASY		
2	1	A310-000490	SCREEN, ARRESTOR		
3	1	900216-04006	SCREW		4*6
4	1	A312-000090	PLATE, EXHUST		
5	1	V104-002290	GASKET,EXHAUST		
6	3	V805-000150	BOLT, TORX 5		5*16
7	1	A320-001210	COVER,MUFFLER		
8	2	V804-000010	BOLT, TORX 4		4*16
9	1	X505-007710	LABEL,CAUTION		

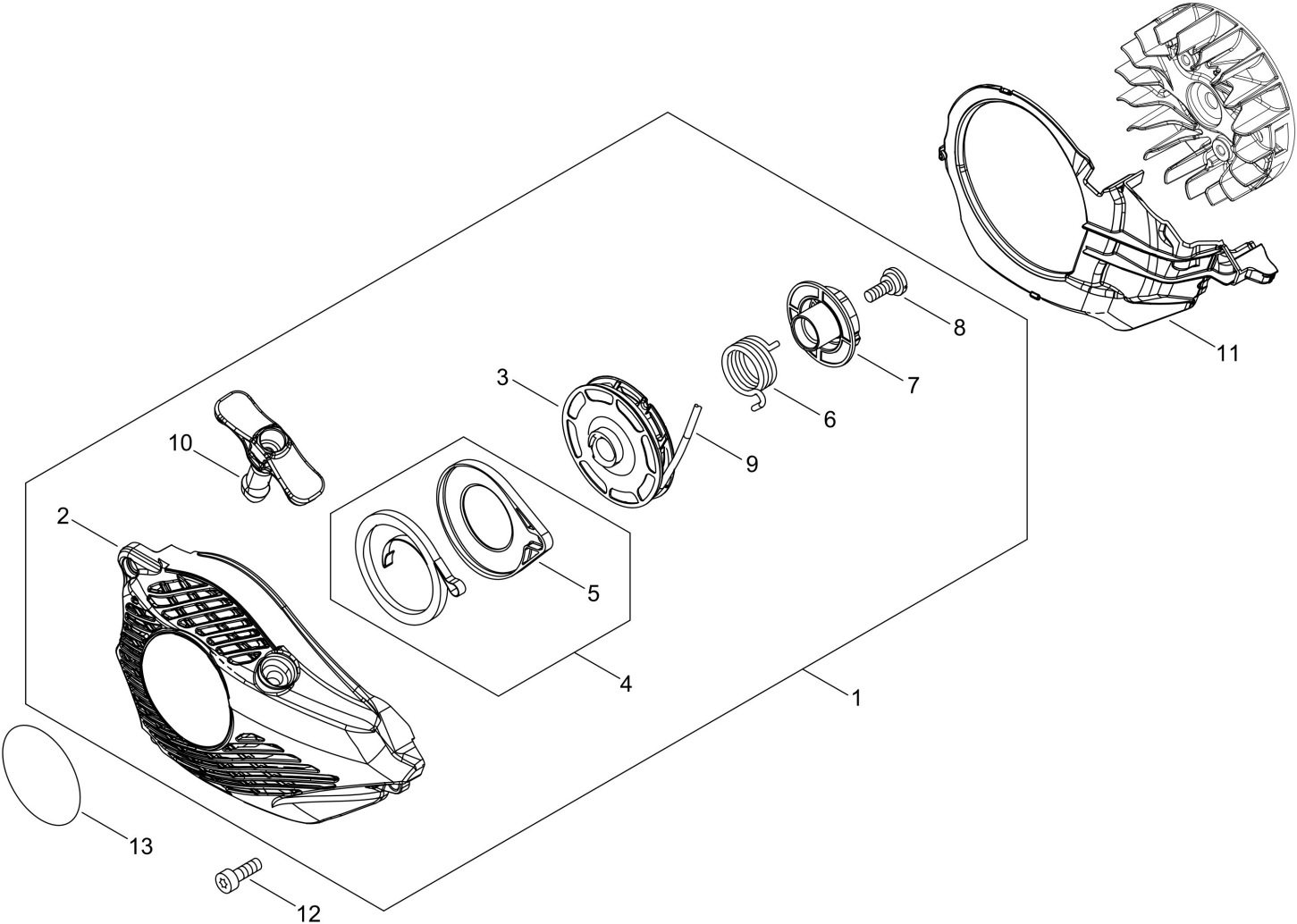


Illustration 07_RECOIL_STARTER

Nr.	Antal	Kod	Beskrivning	Bilaga	Anmärkningar
1	1	A051-003132	STARTER,RECOIL ASY		
2	1	P022-051080	CASE,STARTER ASY		
3	1	P022-040050	DRUM		
4	1	P022-040060	SPRING KIT, REWIND		
5	1	P022-040070	SPRING CASE		
6	1	P022-036670	SPRING,DAMPER		
7	1	P022-040080	PLATE, CAM		
8	1	177236-61830	SCREW		
9	1	P022-040090	ROPE, STARTER		3*700
10	1	P022-048980	GRIP, STARTER		
11	1	A172-003200	COVER,FAN		
12	3	V804-000060	BOLT, TORX 4		4*16
13	1	X502-001110	LABEL,ECHO		

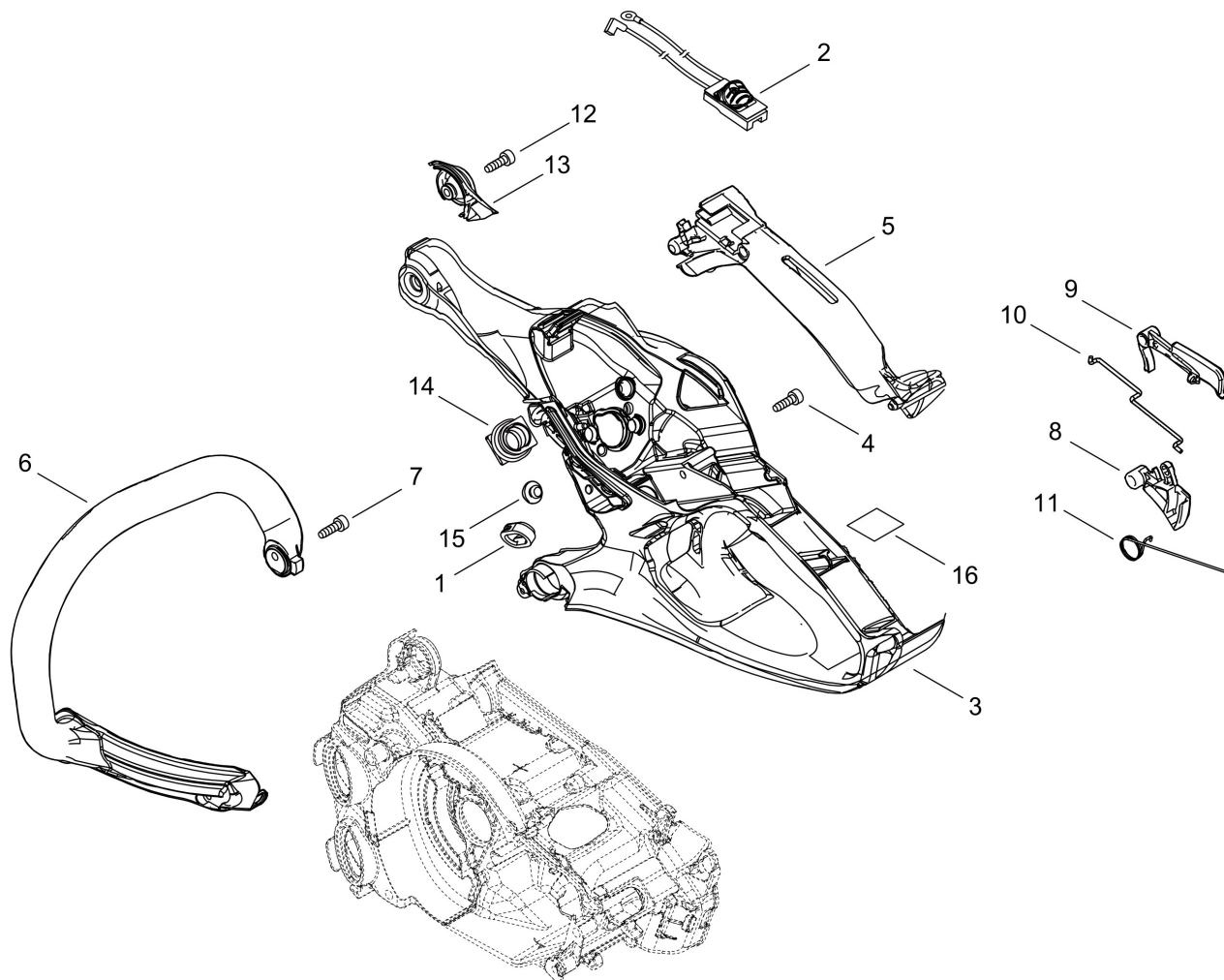


Illustration 08_HANDLE

Nr.	Antal	Kod	Beskrivning	Bilaga	Anmärkning
1	1	V131-000220	GROMMET, NEEDLE		
2	1	A440-002741	SWITCH, ON OFF		
3	1	C410-001480	HANDLE, REAR		
4	1	V804-000000	BOLT, TORX 4		4*12
5	1	C411-000260	LID, HANDLE		
6	1	C400-001700	HANDLE, FRONT		
7	1	V805-000000	BOLT, TORX 5		5*16
8	1	C450-001070	CONTROL, THROTTLE		
9	1	C460-000591	LOCKOUT, THROTTLE		
10	1	C454-000590	ROD, THROTTLE		
11	1	V452-001650	SPRING, TORSION		
12	1	V804-000010	BOLT, TORX 4		4*16
13	1	V456-000400	HOLDER, SPRING		
14	1	A239-000110	PIPE, INTAKE		
15	1	V420-004980	CUSHION		
16	1	890345-39231	LABEL, CAUTION		

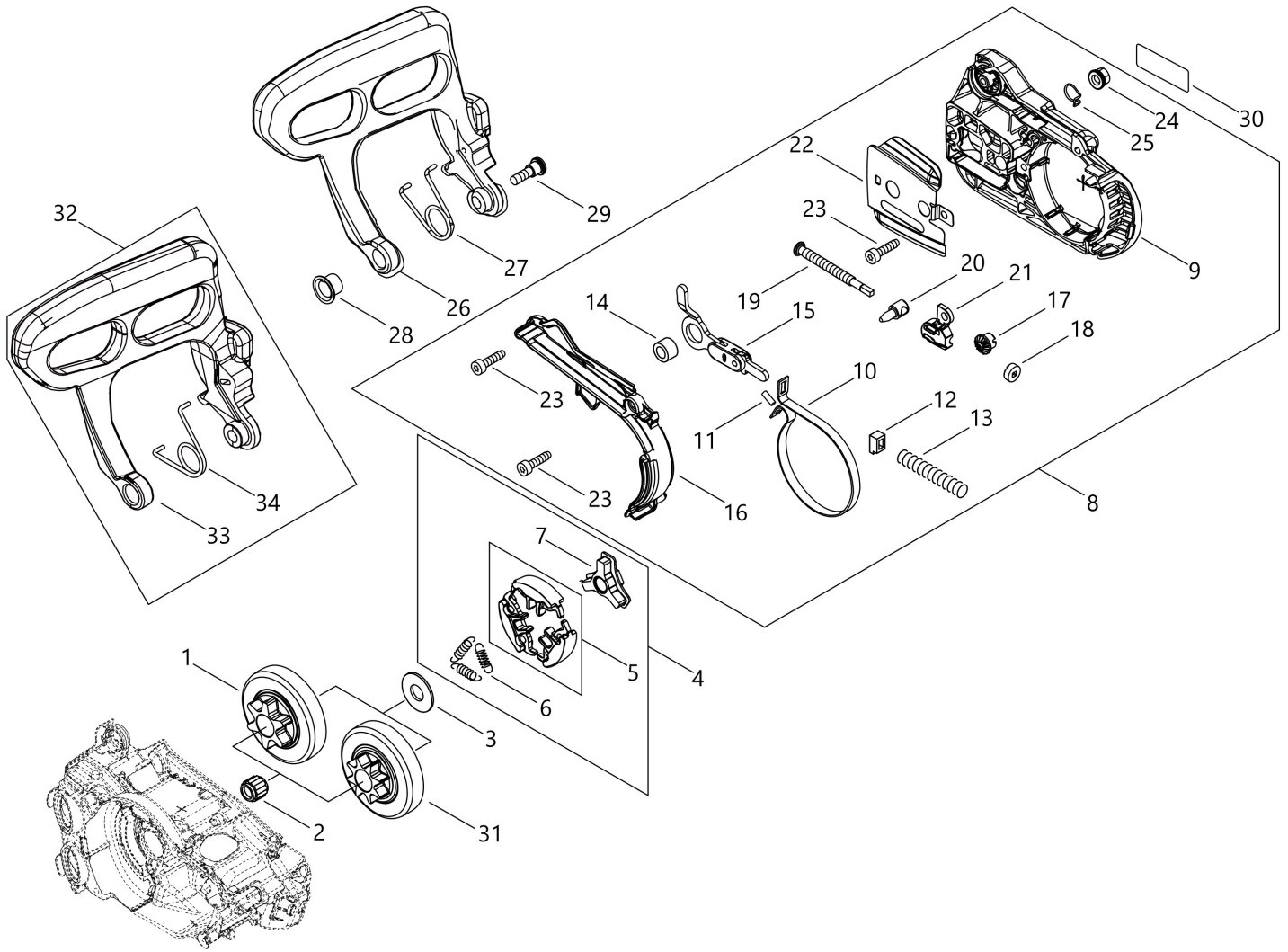


Illustration 09_CHAIN_BRAKE

Nr.	Antal	Kod	Beskrivning	Bilaga	Anmärknings
1	1	A556-001720	"DRUM, CLUTCH"		
2	1	V555-000190	BEARING, NEEDLE 10		10*13*9.8
3	1	A551-000170	PLATE, CLUTCH		
4	1	A056-000830	CLUTCH ASY		
5	1	P100-004180	CLUTCH SHOE SET		
6	3	A566-000290	SPRING, CLUTCH		
7	1	A552-000430	HUB, CLUTCH		
8	1	P100-002170	"GUARD, SPROCKET ASY"		
9	1	C300-001140	"GUARD, SPROCKET"		
10	1	C328-000330	BAND, BRAKE		
11	1	93050-30080	ROLLER		3*8
12	1	V376-000450	SPACER		
13	1	V450-002080	SPRING, COMPRESSION		
14	1	V355-000860	COLLAR, 8		
15	1	C334-000340	CONNECTOR, BRAKE		
16	1	C345-000640	COVER, BRAKE		
17	1	V651-001060	GEAR, BEVEL		
18	1	V651-000011	GEAR, BEVEL		
19	1	V203-000041	BOLT, 5		
20	1	C309-000110	TENSIONER, CHAIN		
21	1	V355-000840	COLLAR, 8		
22	1	C305-000521	PLATE, SPROCKET GUARD		T0.3
23	3	V804-000000	BOLT, TORX 4		4*12
24	1	V265-000550	NUT, 8		
25	1	C649-000420	HOOK		
26	1	C320-000561	LEVER, BRAKE (S/N C88040002320 and before)		
27	1	V452-001660	SPRING, TORSION		
28	1	V356-000780	COLLAR, 10		
29	1	V203-002270	BOLT, 5		
30	1	X502-000340	LABEL, ECHO		
31	1	A556-001710	DRUM, CLUTCH		
32	1	P200-001730	BRAKE LEVER KIT (S/N C88040002321 and after)		
33	1	C320-000562	LEVER, BRAKE (S/N C88040002321 and after)		
34	1	V452-002040	SPRING, TORSION (S/N C88040002321 and after)		

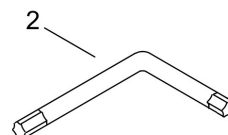
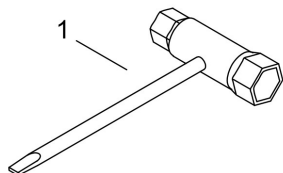


Illustration 10_ACCESSORIES

Nr.	Antal	Kod	Beskrivning	Bilaga	Anmärkning
1	1	X602-000160	PLUG WRENCH		
2	1	X605-000190	TOOL,L WRENCH		T27 120*80

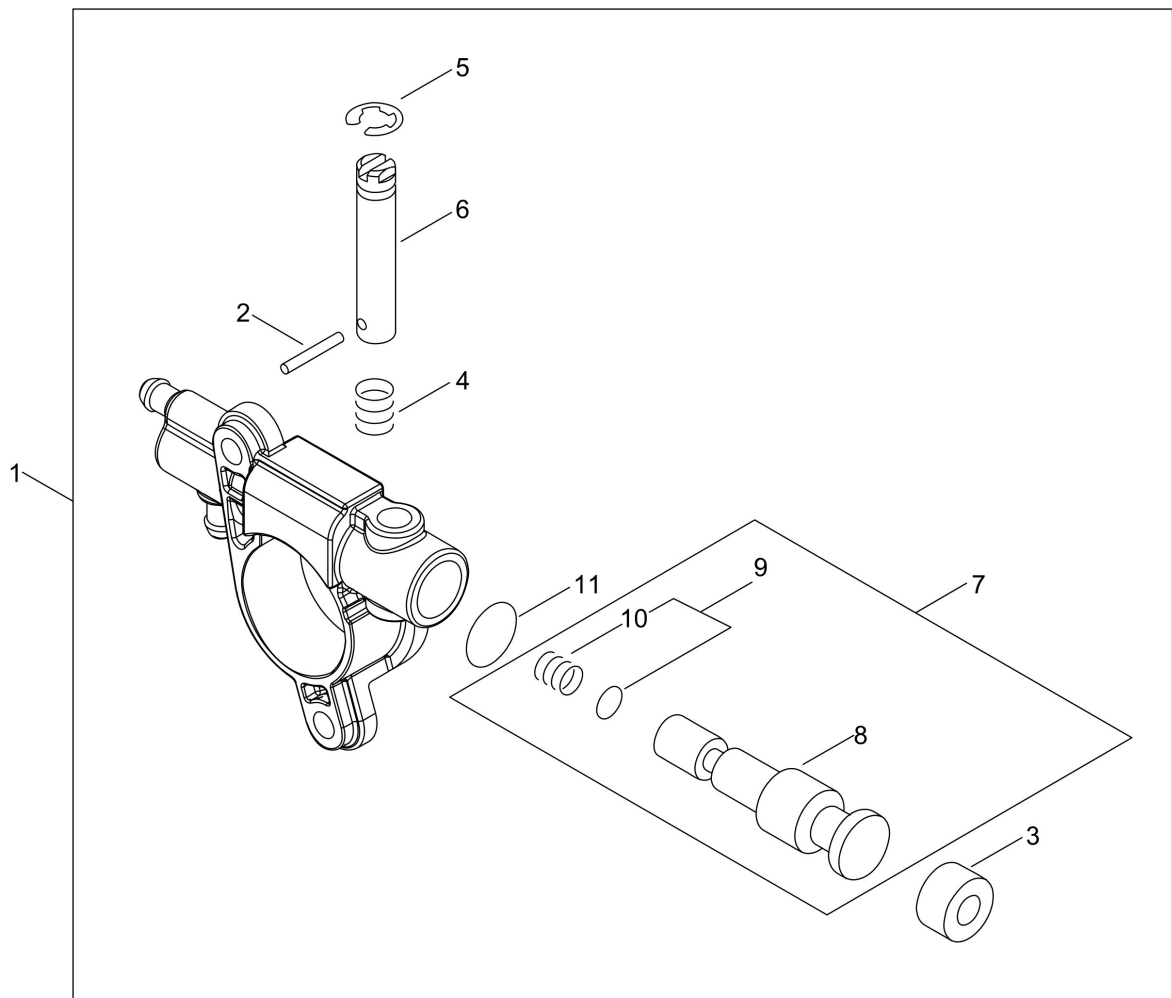


Illustration 11_OILER

Nr.	Antal	Kod	Beskrivning	Bilaga	Anmärkning
1	1	C022-000211	AUTO-OILER ASSEMBLY		OP-27C(B)
2	1	P003-002180	PIN, SPRING		
3	1	437062-38330	CAP, OIL PUMP		
4	1	437015-37330	SPRING		
5	1	123127-15030	RING		
6	1	P003-005430	NEEDLE-ADJ		
7	1	P200-000390	PLUNGER SHAFT KIT		
8	1	P003-005990	SHAFT ASY-PLUNGER		
9	1	P200-000490	SPRING WASHER KIT		
10	1	P003-006000	SPRING		
11	1	P003-005420	WASHER		

Illustration 12_GUIDE_BAR_CHAIN


Pitch ピッチ	Gauge ゲージ	Length 長さ	Guide Bar ガイドバー		Saw Chain ソーチェン		Chain Scabbard チェン スカバード		Hard Nose ハード ノーズ	Sprocket Nose スプロケット ノーズ
			Key №	Type 形式	Key №	Type 形式	Key №	Length 長さ (cm)		
3/8 9.53	0.050 1.27	30	A1	C30S91-47ML- EC	A2	91PX-47E	A3	31		
1/4 6.35	0.043 1.09	25	B1	C25SA4-60CL- ED	B2	A4S-60E	B3	26		

Illustration 12_GUIDE_BAR_CHAIN

Nr.	Antal	Kod	Beskrivning	Bilaga	Anmärkning
A1	1	X122-000341	BAR,GUIDE 30		C30S91-47ML- EC
A2	1	X222-000140	CHAIN,SAW		91PX-47E
A3	1	X490-000920	SCABBARD,CHAIN		
B1	1	X121-000250	BAR,GUIDE 25		C25SA4-60CL- ED
B2	1	X201-000020	CHAIN,SAW		A4S-60E ECHO
B3	1	X490-000840	SCABBARD,CHAIN		

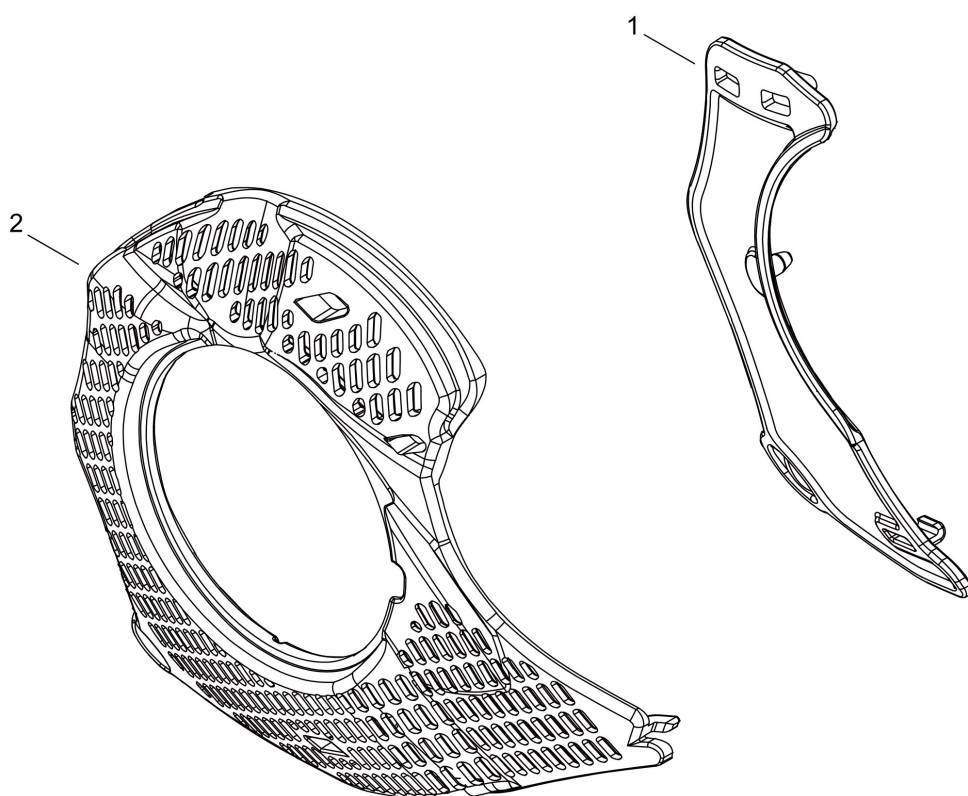


Illustration 13_OPTION_PARTS

Nr.	Antal	Kod	Beskrivning	Bilaga	Anmärkningar
1	1	C418-000150	SHIELD, SNOW		
2	1	A127-000480	COVER,DUST		