

## CS-310ES (-37010000)



## Dokumenten

exhaust, tools

---

handles

---

clutch, chain brake

---

Engine

---

cutting set

---

special tools

---

starter, ignition

---

Tanks, air filters, engine cover

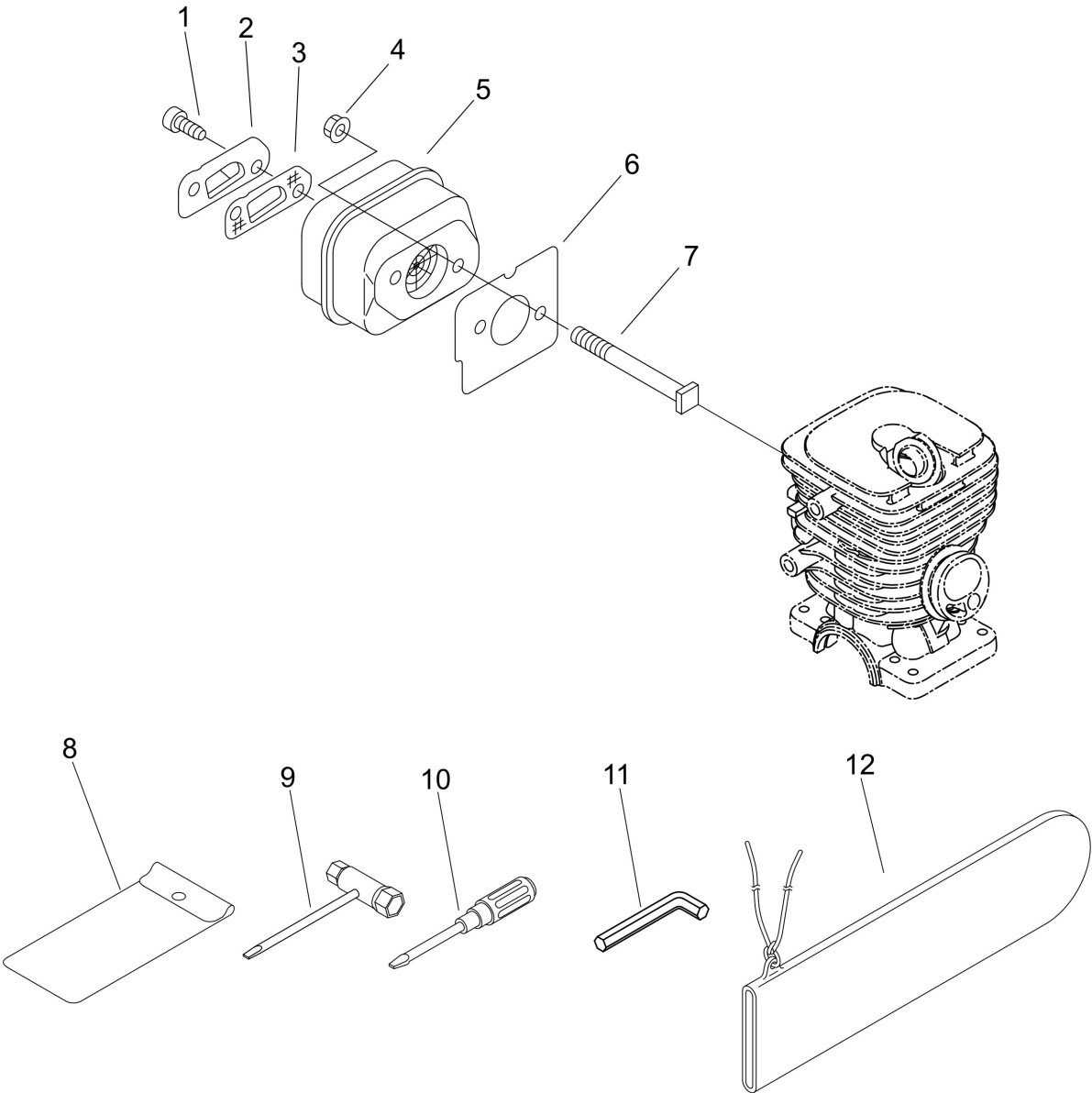
---

Carburettor WT-946

---

Accessory claw

---

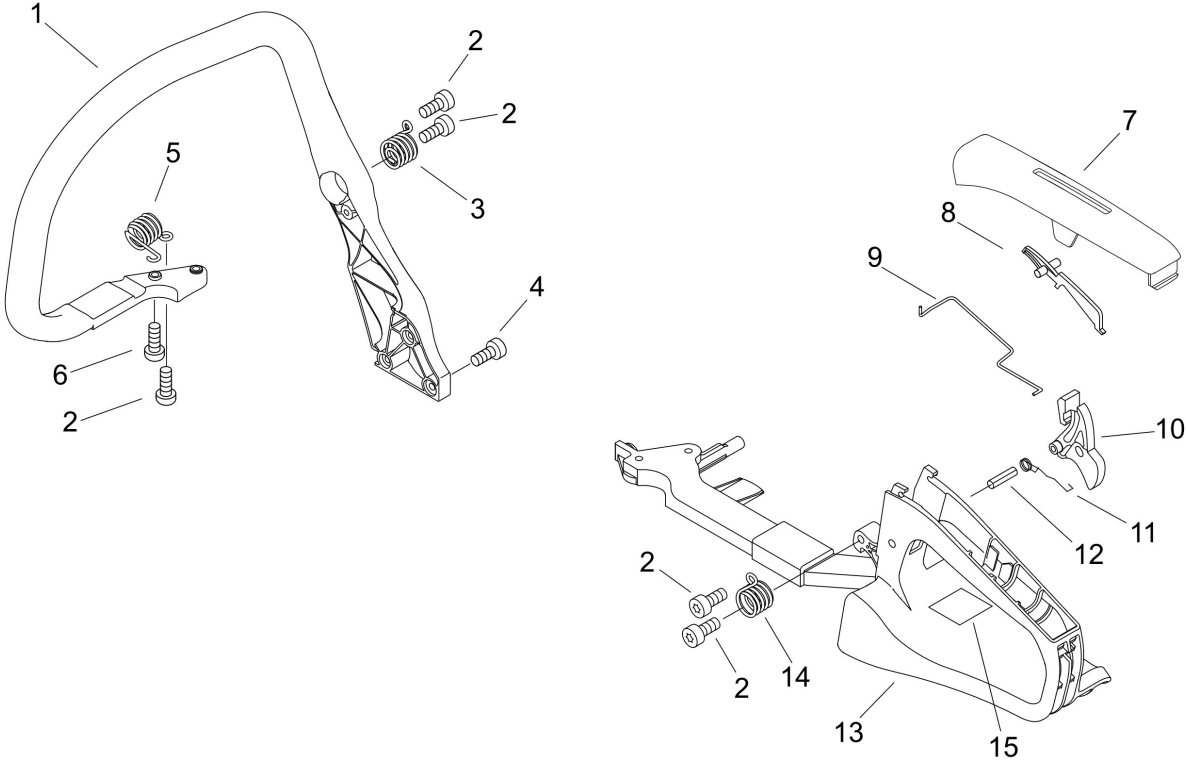


## Illustration exhaust, tools

---

Nr.	Antal	Kod	Beskrivning	Bilaga	Anmärkningar
1	2	V804000030	BOLT, TORX 4		
2	1	A313000760	GUIDE EXHAUST		
3	1	A310000060	Screen Arrestor		
4	2	90051600005	NUT, FRANGE 5		
5	1	A300000620	MUFFLER, EXHAUST		
6	1	V104000731	GASKET,EXHAUST		
7	2	V203000120	BOLT,5		
8	1	89851007130	Bag. Tool		
9	1	X602000080	TOOL, WRENCH		
10	1	89581203930	DRIVER, SCREW 50		
11	1	X605000050	TOOL, L WRENCH		
12	1	P021006951	SCABBARD, GUIDE BAR		

Illustration handles

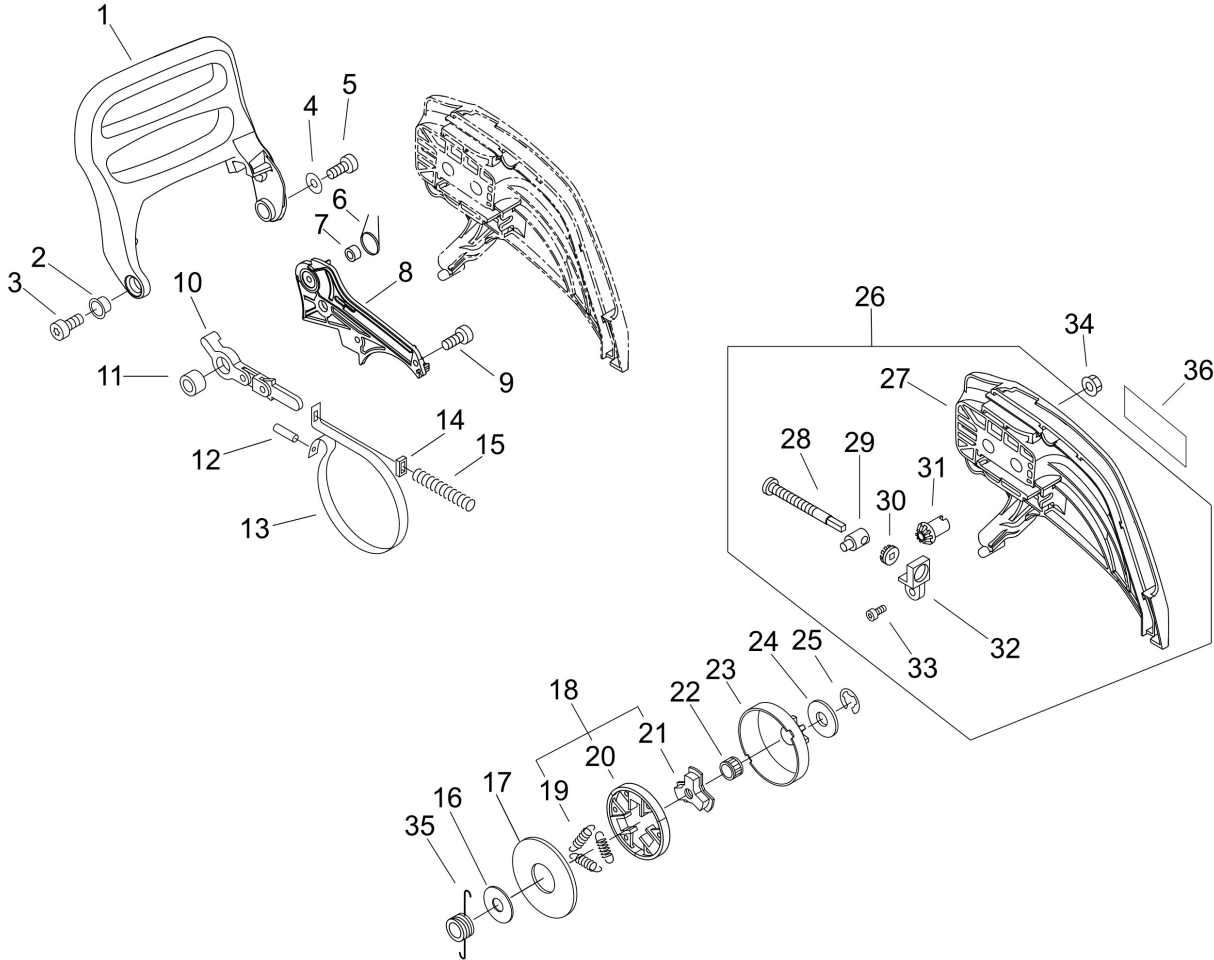


## Illustration handles

---

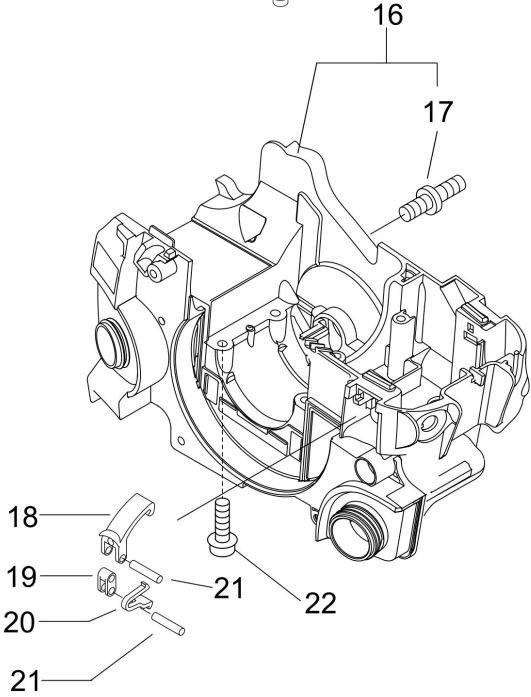
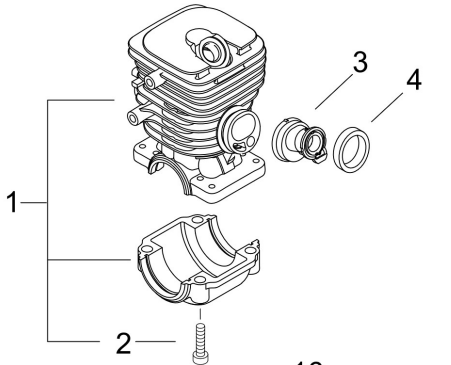
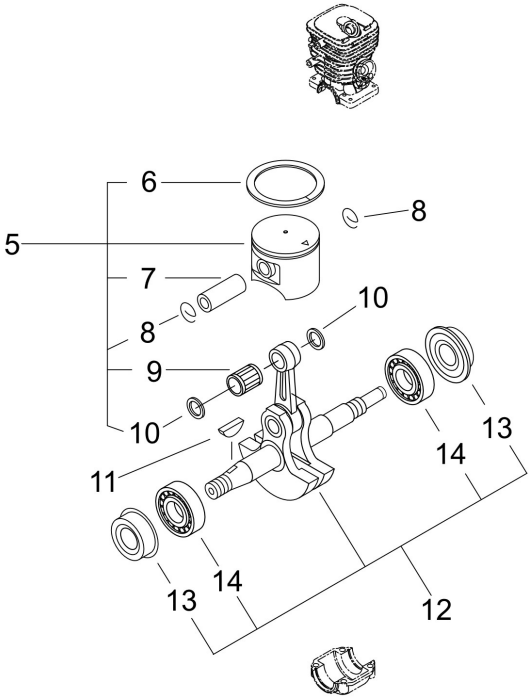
Nr.	Antal	Kod	Beskrivning	Bilaga	Anmärkning
1	1	C400000540	HANDLE, FRONT		
2	5	V805000000	BOLT, TORX 5		
3	1	V450000700	SPRING		
4	3	V805000010	BOLT, TORX 5		
5	1	V450000710	SPRING, COMPRESSION		
6	2	V805000000	BOLT, TORX 5		
7	1	C411000040	LID, HANDLE		
8	1	C460000072	LOCKOUT, THROTTLE		
9	1	C454000160	ROD, THROTTLE		
10	1	C450000212	CONTROL, THROTTLE		
11	1	V452000260	SPRING, THR.RETURN		
12	1	90034540025	TENSIONER, CHAIN		
13	1	C410000450	HANDLE, REAR		
14	1	V450000720	SPRING		
15	1	89034539230	LABEL, CAUTION		

Illustration clutch, chain brake



## Illustration clutch, chain brake

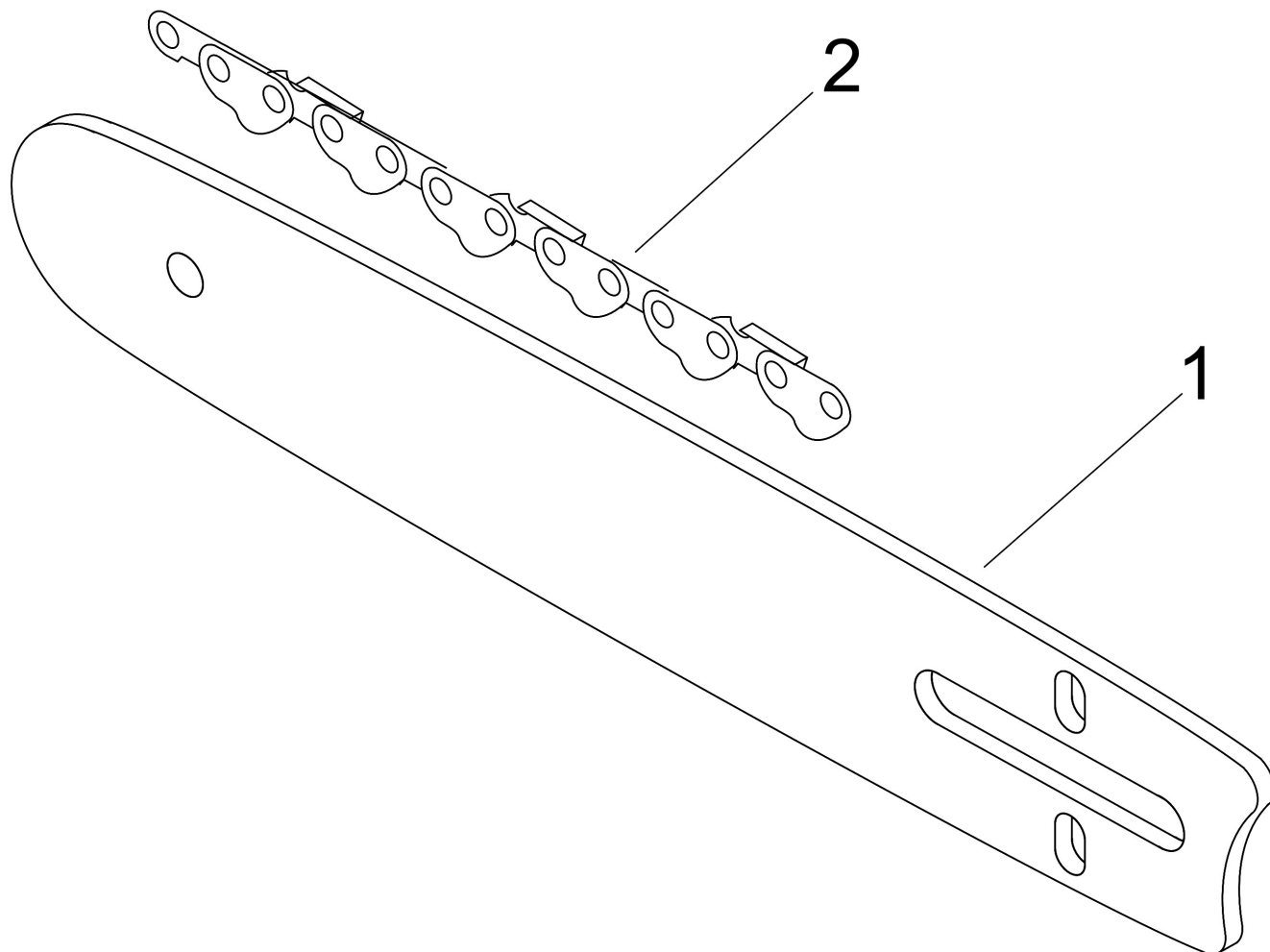
Nr.	Antal	Kod	Beskrivning	Bilaga	Anmärkningar
1	1	C320000170	LEVER, BRAKE		
2	1	V356000430	BELLOWS, INTAKE		
3	1	V805000010	BOLT, TORX 5		
4	1	17721403930	Washer		
5	1	V804000020	BOLT, TORX 4		
6	1	V452000250	Spring		
7	1	43311635430	SPACER 8		
8	1	C345000270	COVER, BRAKE		
9	3	V804000000	BOLT, TORX 4		
10	1	C334000100	CONNECTOR, BRAKE		
11	1	43311635430	SPACER 8		
12	1	9305030098	ROLLER		
13	1	C328000030	BAND, BRAKE		
14	1	V376000450	SPACER		
15	1	V450000070	SPRING, COMPRESSION		
16	1	A551000080	PLATE, CLUTCH		
17	1	A551000090	PLATE, CLUTCH		
18	1	A056000210	CLUTCH ASY		
19	3	V451000470	SPRING, TENSION		
20	3	A555000060	Shoe, Clutch		
21	1	A552000100	HUB, CLUTCH		
22	1	V553000150	BEARING, NEEDLE		
23	1	A556000540	DRUM, CLUTCH		
24	1	10014319830	WASHER		
25	1	V583000120	RING		
26	1	P021015110	GUARD, SPROCKET KIT		
27	1	C300000400	GUARD, SPROCKET		
28	1	V203000110	BOLT, 5		
29	1	C309000030	TENSIONER, CHAIN		
30	1	V651000011	GEAR, BEVEL		
31	1	V651000001	GEAR, BEVEL		
32	1	V355000140	COLLAR, 8		
33	1	V804000000	BOLT, TORX 4		
34	2	43301912330	NUT, FLANGE 8		
35	1	V652000040	GEAR, WORM		
36	1	X502000340	LABEL, ECHO		





## Illustration Engine

Nr.	Antal	Kod	Beskrivning	Bilaga	Anmärkningar
1	1	P021015050	CRANK CASE KIT		
2	4	V805000220	BOLT, TORX 5		
3	1	A202000070	BELLOWS, INTAKE		
4	1	A206000000	HOLDER, BELLOWS		
5	1	P021015060	PISTON KIT		
6	1	10001116131	RING, PISTON		
7	1	10001315330	Pin, Piston		
8	2	10001504630	CIRCLIP, PISTON PIN		
9	1	10011311520	BEARING NEEDLE		
10	2	10001411520	SPACER, PISTON PIN		
11	1	10014212330	KEY, WOODRUFF		
12	1	P021015070	CRANKSHAFT, ASSY		
13	2	V505000010	SEAL,OIL 12		
14	2	9403536201	BEARING BALL		
16	1	P021015080	COVER, ENGINE		
17	2	V225000030	BOLT, STUD 8	TI_Y2014-552	
18	2	C463000030	KNOB, LATCH		
19	2	J485000200	HINGE		
20	2	V490000400	CLIP		
21	4	9305040180	ROLLER		
22	4	V805000180	BOLT, TORX 5		

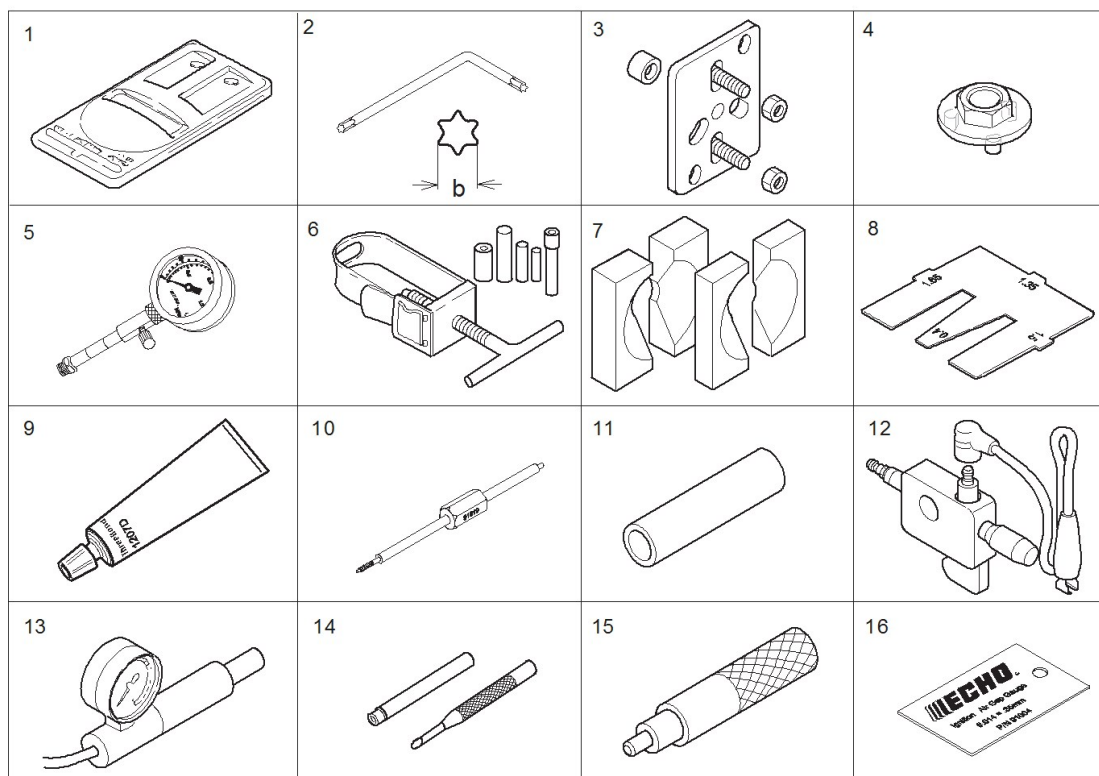


## Illustration cutting set

---

Nr.	Antal	Kod	Beskrivning	Bilaga	Anmärkning
1	1	S-30RC-50-3/8	Bar for Chain Saw X122-000071		
1	1	S-35RC-50M-3/8	BAR, GUIDE X123-000131		
2	1	KE-3013-3847	Saw chain, 30 cm 47 drive links, pitch 3/8"H		
2	1	KE-3513-3853	Saw chain, 35 cm 53 drive links, pitch 3/8"H		

# Spezialwerkzeuge

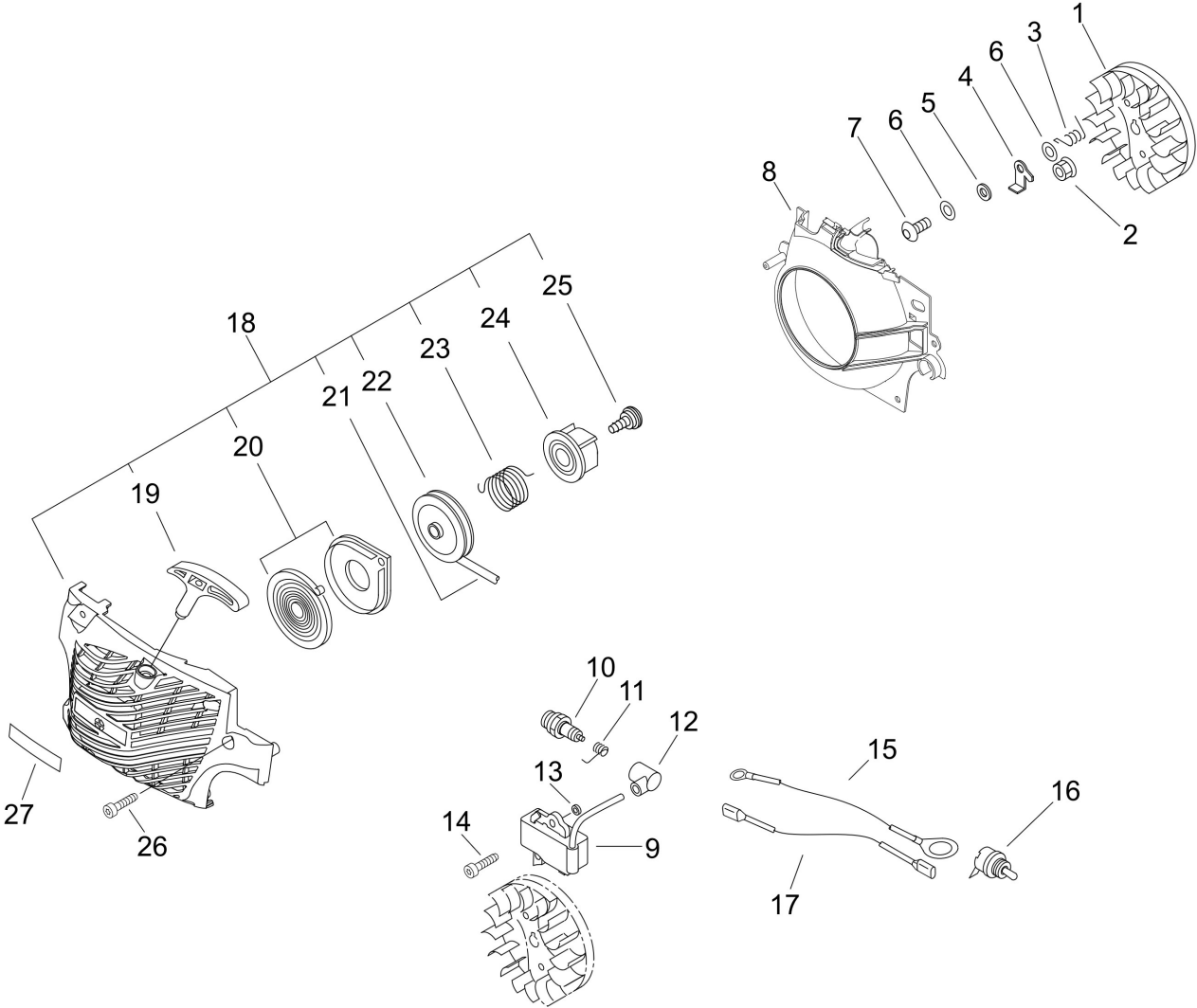


## Illustration special tools

---

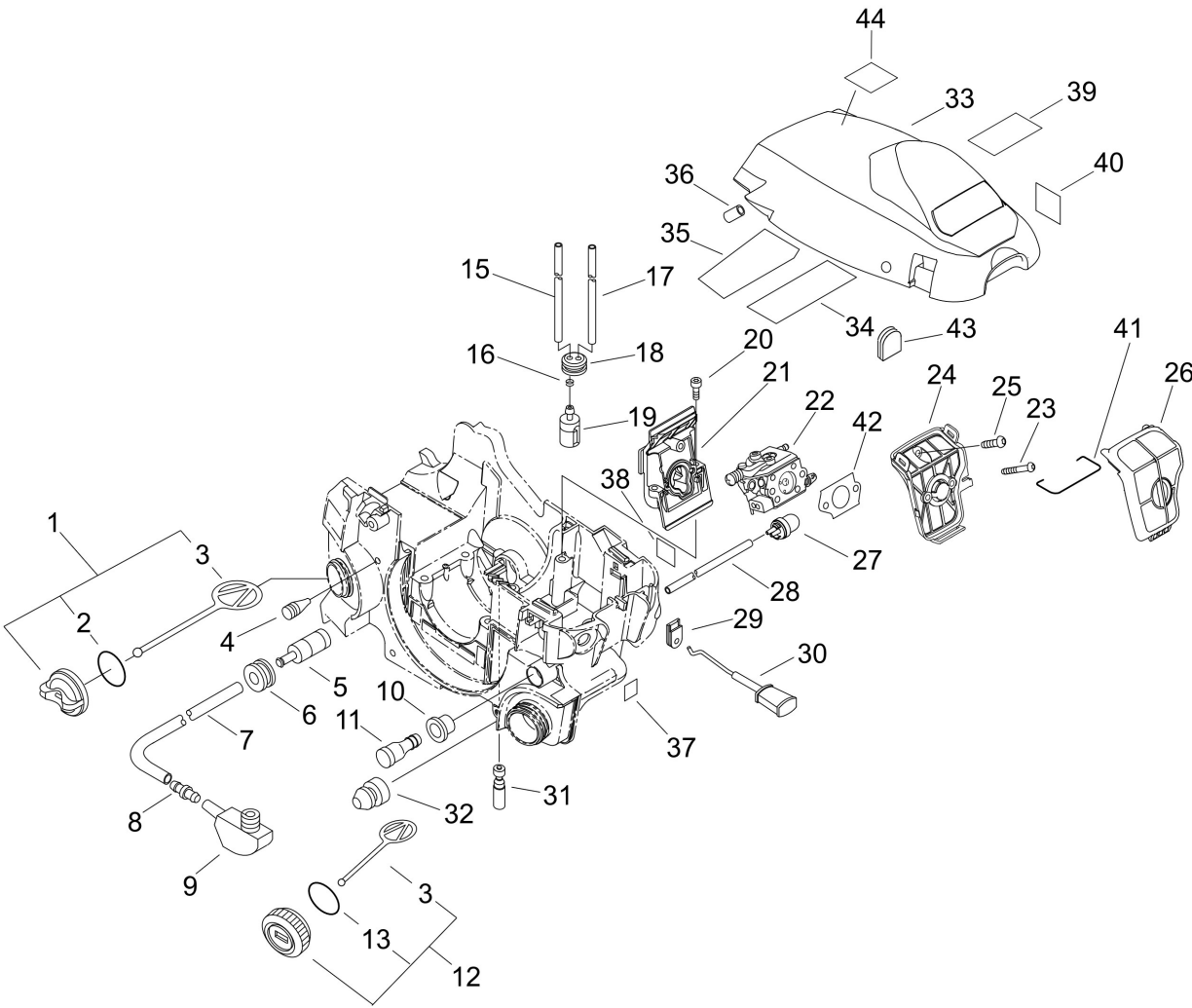
Nr.	Antal	Kod	Beskrivning	Bilaga	Anmärkningar
1		PET-1000R	TACHOMETER		
2		WA-X605-000170	TOOL, L WRENCH		
3		WA-897501-03938	Puller, Magneto		
4		WA-897505-16133	TOOL CLUTCH		
5		WA-91037	COMPRESSION GAUGE		
6		WA-897702-30131	TOOL, PISTON PIN		
7		WA-897701-06030	BEARING WEDGE		
8		WA-897563-19830	GAUGE,METERING LEVER		
9		WA-X686-000000	GASKET,LIQUID		
10		WA-91019	LIMITER CAP TOOL		
11		WA-897726-21430	OIL SEAL TOOL		
12		WA-897800-79931	TESTER SPARK		
13		WA-897803-30133	PRESSURE TESTER		
14		WA-500-500	WELCH PLUG TOOL		
16		WA-91004	IGNIT. AIR GAP GAUGE		

Illustration starter, ignition



## Illustration starter, ignition

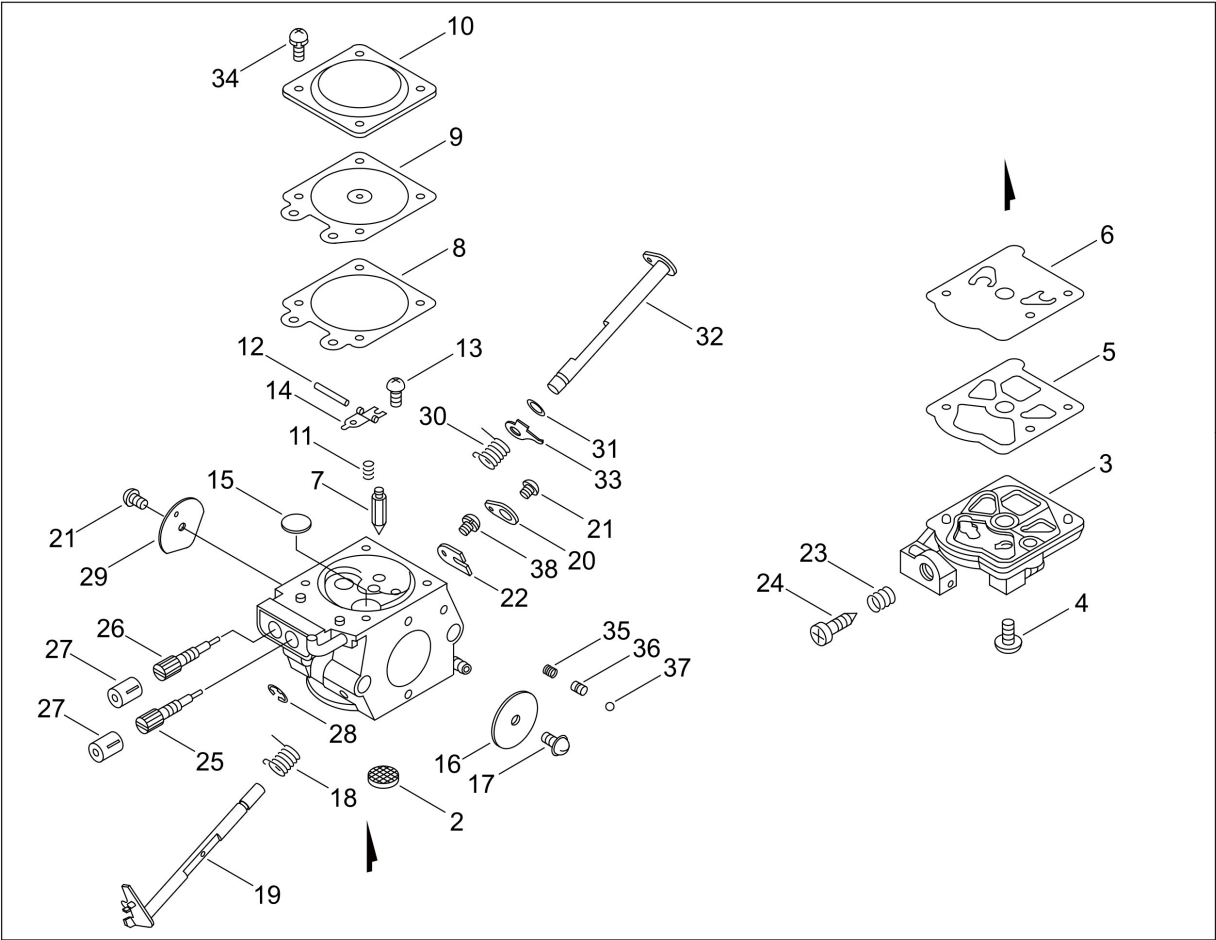
Nr.	Antal	Kod	Beskrivning	Bilaga	Anmärkningar
1	1	A409000350	ROTOR, MAGNETO		
2	1	90051500008	NUT,FLANGE 8		
3	2	17723435430	SPRING, RETURN		
4	2	A514000020	PAWL		
5	2	17724704630	SPACER, RATCHET		
6	4	90060300005	WASHER 5		
7	2	V203000080	Bolt		
8	1	A172000830	COVER, FAN		
9	1	A411000460	COIL, IGNITION		
10	1	A425000000	SPARKPLUG		
11	1	A426000020	TERMINAL, SPARKPLUG		
12	1	A427000020	CAP, SPARK PLUG		
13	2	15011716430	SPACER		
14	2	V805000210	BOLT, TORX 5		
15	1	V485001070	LEAD		
16	1	A440001180	SWITCH, ON OFF		
17	1	V485001080	LEAD		
18	1	A051001300	STARTER, RECOIL ASY		
19	1	P022005891	GRIP, STARTER		
20	1	P022001330	SPRING KIT, REWIND		
21	1	P022008440	ROPE, STARTER		
22	1	A506000030	REEL, ROPE		
23	1	V452000220	SPRING, TORSION		
24	1	P022022000	CATCHER,PAWL		
25	1	17723661830	SCREW		
26	3	V805000010	BOLT, TORX 5		
27	1	X502000340	LABEL, ECHO		





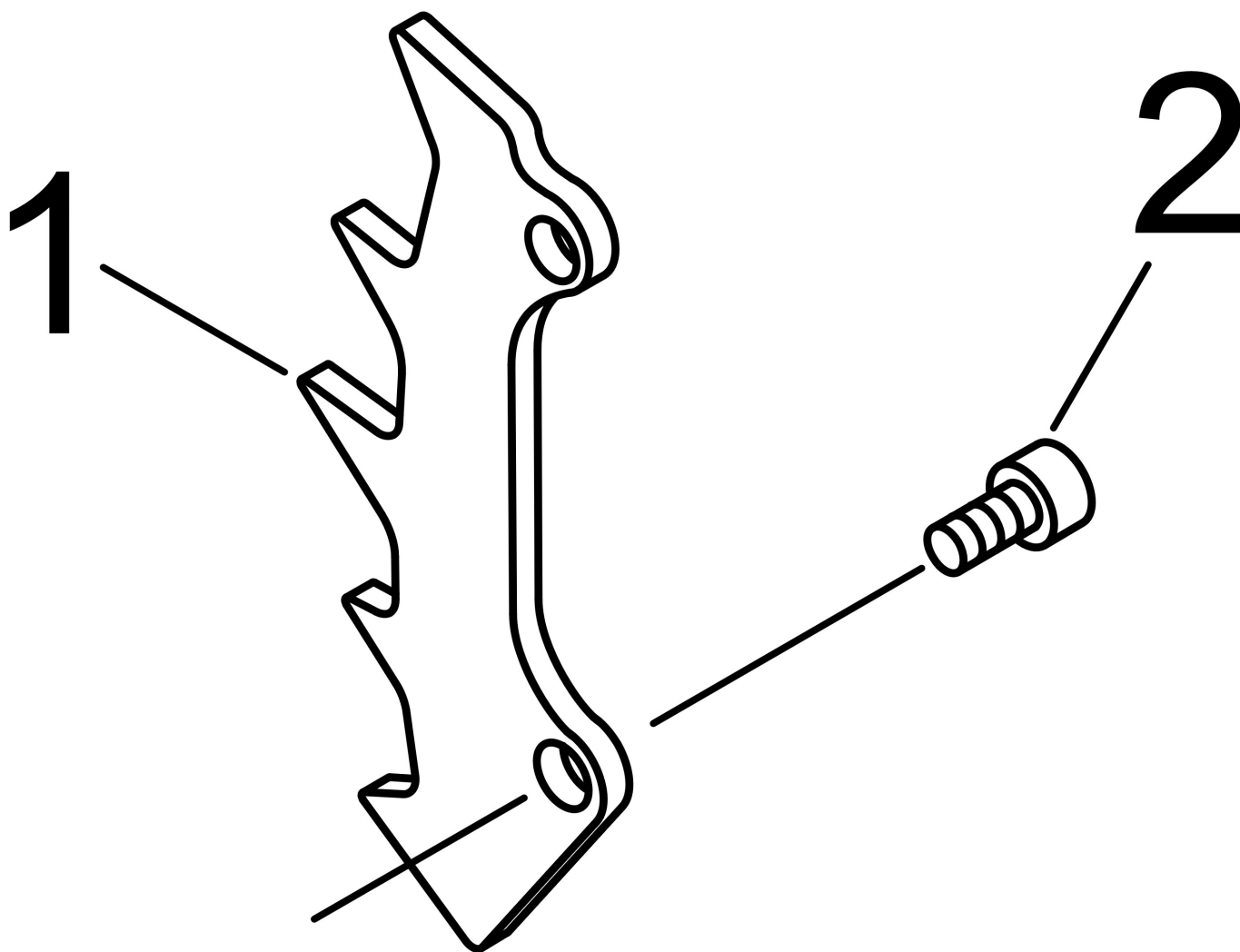
## Illustration Tanks, air filters, engine cover

Nr.	Antal	Kod	Beskrivning	Bilaga	Anmärkningar
1	1	P021005581	OIL CAP ASY		
2	1	90072000018	O-RING 18		
3	1	A365000050	CONNECTOR,CAP		
3	1	A365000050	CONNECTOR,CAP		
4	1	43611413930	VALVE, CHECK		
5	1	43620502832	STRAINER, OIL		
6	1	13211501461	GROMMET		
7	1	13011005260	PIPE, IMPULSE		
8	1	V186000020	JOINT,PIPE		
9	1	V470000810	PIPE		
10	1	V137000000	GROMMET, FUEL		
11	1	A356000030	VALVE, CHECK		
12	1	13100437932	CAP ASSY FUEL TANK		
13	1	90072000022	O-Ring 22		
15	1	V471002170	PIPE		
16	1	13201309820	CLIP		
17	1	V471001560	PIPE		
18	1	13211544330	GROMMET		
19	1	13120514930	filter		
20	2	V805000010	BOLT, TORX 5		
21	1	A200000350	INSULATOR, INTAKE		
22	1	A021001700	CARBURETOR		
23	2	V805000040	BOLT, TORX 5		
24	1	A225000280	CASE, CLEANER		
25	1	V805000000	BOLT, TORX 5		
26	1	A226000420	ELEMENT, AIR FILTER		
27	1	12318139130	PUMP, PRIMER		
28	1	V471002190	PIPE		
29	1	V130000010	GROMMET, CHOKE		
30	1	A241000150	KNOB, CHOKE		
31	1	C022000040	AUTO-OILER ASSEMBLY		
32	2	V420001790	CUSHION		
33	1	A160001070	COVER, CYLINDER		
34	1	V341000110	WASHER, SQUARE		
35	1	V341000120	WASHER, SQUARE		
36	1	10092735830	PIPE		
37	1	89015739130	LABEL, SWITCH		
38	1	X524001900	LABEL		
39	1	X503009270	LABEL, MODEL		
40	1	89063138130	LABEL, CAUTION		
41	1	V582000050	RING, SNAP		
42	1	V103000500	GASKET, INTAKE		
43	1	13033832430	Plug, Cover		
44	1	89034539230	LABEL, CAUTION		



## Illustration Carburettor WT-946

Nr.	Antal	Kod	Beskrivning	Bilaga	Anmärkningar
1	1	A021001700	CARBURETOR		
2	1	12312610631	SCREEN, INLET		
3	1	12312409520	Cover, Fuel Pump		
4	1	12311003930	SCREW, PUMP COVER		
5	1	12312515030	GASKET, FUEL PUMP		
6	1	12311215030	DIAPHRAGM, FUEL PUMP		
7	1	12313719830	VALVE, INLET NEEDLE		
8	1	12314003930	GASKET, M. DIAPHRAGM		
9	1	P003001850	DIAPHRAGM, METERING		
10	1	12314203930	COVER, M. DIAPRAGM		
11	1	12312203660	SPRING, METER, LEVER		
12	1	12313803930	PIN,METERING LEVER		
13	1	12313903930	SCREW, PUMP COVER		
14	1	12312303930	LEVER, METERING		
15	1	12314610631	PLUG, WELCH		
16	1	12311605960	WASHER CLUTCH		
17	1	12311405260	SCREW		
18	1	12311337530	SPRING THROTTLE RTN		
19	1	P003002240	SHAFT ASY, THROTTLE		
20	1	P003001040	lever throttle		
21	2	12311438830	SCREW		
22	1	12312703930	Clip, Throttle Shaft		
23	1	12313304260	SPRING, IDLE ADJUST		
24	1	12313404260	ADJUST SCREW		
25	1	12312052131	HIGH SPEED NEEDLE		
26	1	12311802261	NEEDLE		
27	2	P003000010	LIMITER CAP		
28	1	12312715030	RING		
29	1	P003002250	VALVE, CHOKE		
30	1	P003002260	SPRING		
31	1	12314926030	WASHER		
32	1	P003000150	CHOKE, SHAFT		
33	1	P003001510	LEVER-FAST IDLE		
34	4	12313002960	SCREW		
35	1	12318609660	SPRING		
36	1	12318509660	PISTON ASSY		
37	1	12313609660	BALL		
38	1	P003005120	SCREW, PUMP COVER		



## Illustration Accessory claw

---

Nr.	Antal	Kod	Beskrivning	Bilaga	Anmärkning
1	1	C304000010	SPIKED		
2	2	V805000010	BOLT, TORX 5		