

CS-3510ES



## Dokumenten

MUFFLER

---

Housing with tanks

---

handles

---

clutch, chain brake

---

air filter, carburetor

---

Engine

---

Cutting set, accessories

---

Starter, Assy

---

Starter, Assy

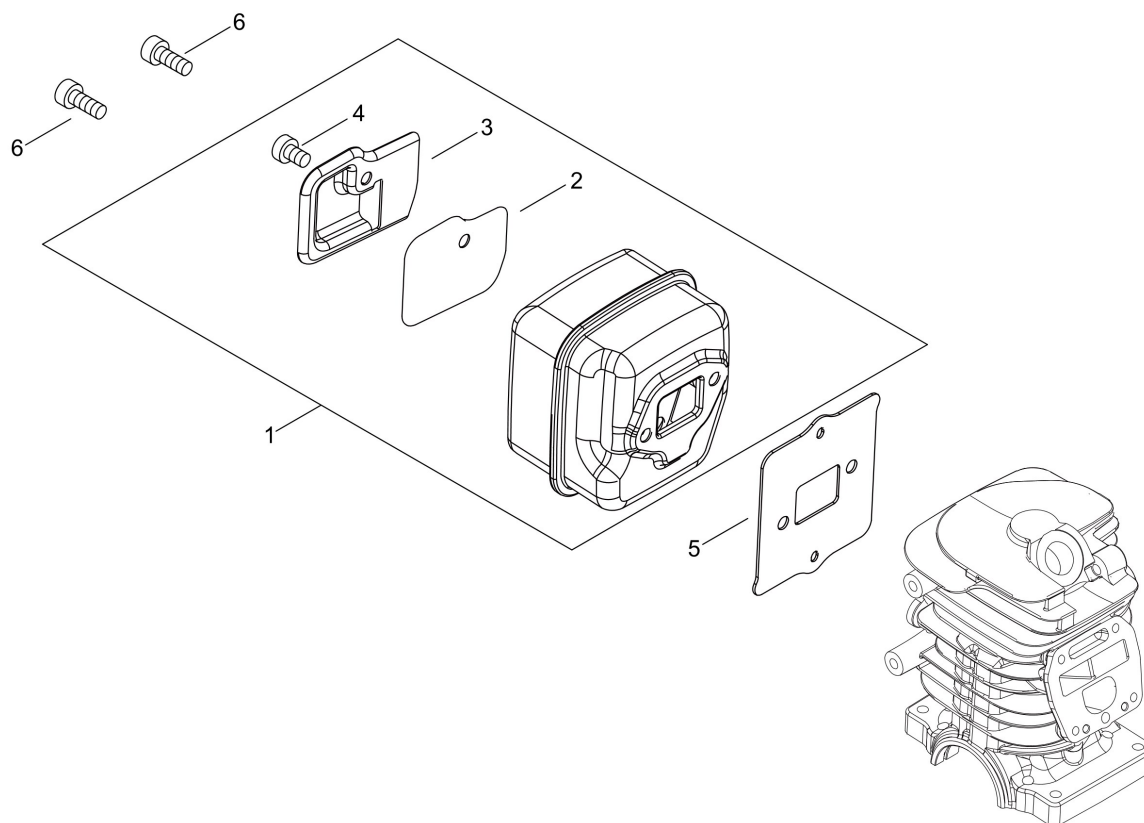
---

Carburettor WT-1240

---

ignition

---

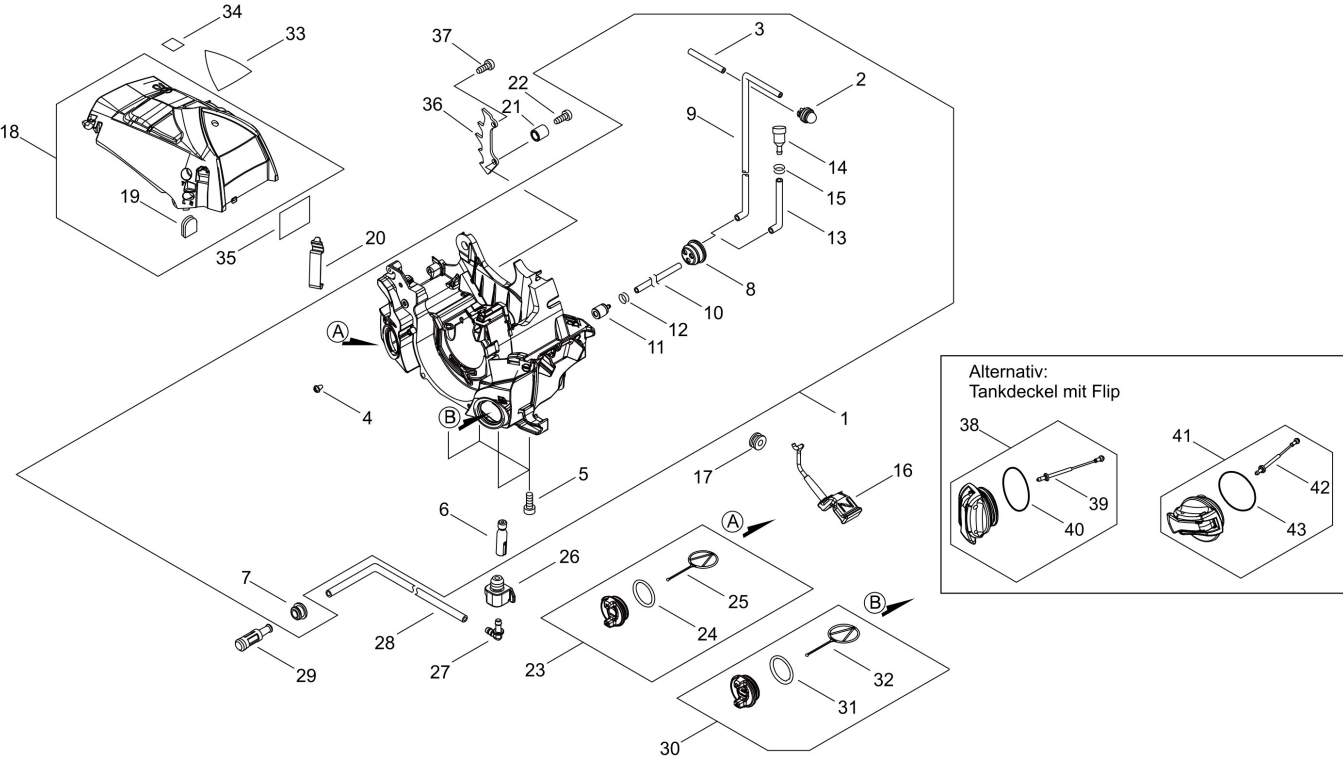


## Illustration MUFFLER

---

Nr.	Antal	Kod	Beskrivning	Bilaga	Anmärkningar
1	1	P100009160	Exhaust, CS-3510AC		
2	1	A310000570	Spark Arrester Screen, CS-3510AC		
3	1	A313002110	Baffle exhaust, CS-3510AC		
4	1	V805000120	BOLT, TORX 5		
5	1	V104002510	Gasket, exhaust cylinder, CS-3510AC		
6	2	V805000250	BOLT, TORX 5		

Illustration Housing with tanks



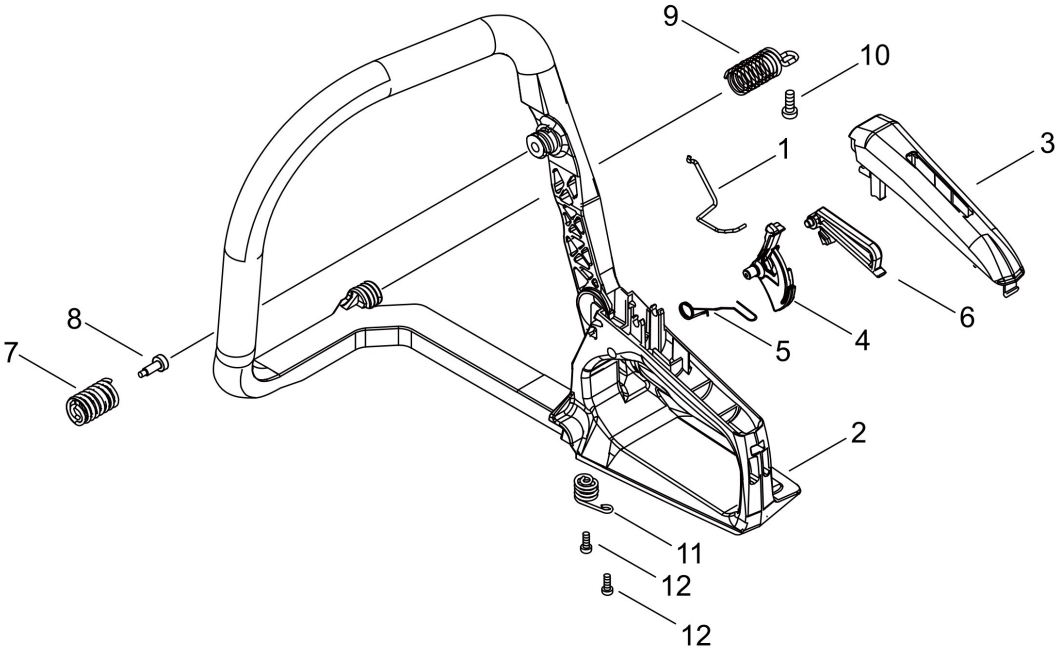
## Illustration Housing with tanks

Nr.	Antal	Kod	Beskrivning	Bilaga	Anmärkningar
1	1	P100009610	Motor housing with tanks, CS-3510ES		
2	1	A035000040	Primer pump, CS-2511TES/CS-3510ES/251Ts/3 41AC		
3	1	V471001281	PIPE		
4	1	9144904006	SCREW TAPPING		
5	4	V805000210	BOLT, TORX 5		
6	1	C022000190	oil pump cpl. CS-352ES/CS-3510ES/CS-3510A C/		
7	1	13211501462	Gas tank sealing ring, CS-310ES/CS-352ES/CS-3510ES/ DCS-2500T/ES-255ES/PPT-2620 ES		
8	1	13211546730	GROMMET, FUEL		
9	1	V471001241	Pipe		
10	1	V471001231	PIPE		
11	1	A369000470	Fuel filter, CS-281WES/CS-361WES/CS-251 1TES/251Ts /CS-4510ES/451s		
12	1	V490001240	CLIP		
13	1	V471001201	Fuel and breather line, 3x5x70		
14	1	A356000031	VALVE,CHECK		
15	1	V490001240	CLIP		
16	1	A241000420	Choke lever CS-3510ES		
17	1	17881003330	GROMMET IDLE		
18	1	P100009570	Cover, cylinder, CS-3510AC		
19	1	13033832430	Plug, Cover		
20	2	V490001730	Clamp, cylinder cover CS-3510AC/341AC		
21	1	C310000110	CATCHER, CHAIN		
22	1	V20300226			
23	1	P100009040	Gas cap oil, CS-3510AC		
24	1	90072020029	O-RING 29		
25	1	13105119830	Link		
26	1	V138000030	Gasket oil hose, CS-3510AC		
27	1	V186000530	AUTO-OILER ASY		
28	1	43721030831	Hose, oil CS-590/CS-621SX		
29	1	P100001900	Oil Filter, 4510ES, 451s		
30	1	P100009200	Gas cap petrol, CS-3510AC		
31	1	V581000600	Gas cap sealing ring, CS-3510AC/CS-621SX/ CSG-7410ES		
32	1	13105119830	Link		
33	1	X503015560	Sticker model CS-3510ES		
34	1	X530000280	Sticker, "Japan Technology", CS-7310SX		

## Illustration Housing with tanks

---

Nr.	Antal	Kod	Beskrivning	Bilaga	Anmärkningar
35	1	X505011340	Caution label, CS3510AC		
36	1	C304000000	SPIKE		
37	1	V805000000	BOLT, TORX 5		
38	1	P100008410	Gas cap oil, CS-4310SX/CS-7310SX		
39	1	A365000150	Loss protection fuel cap, CS-7310SX		
40	1	90072020029	O-RING 29		
41	1	P100008550	Gas cap, CS-4310SX/CS-7310SX		
42	1	A365000150	Loss protection fuel cap, CS-7310SX		
43	1	90072020029	O-RING 29		

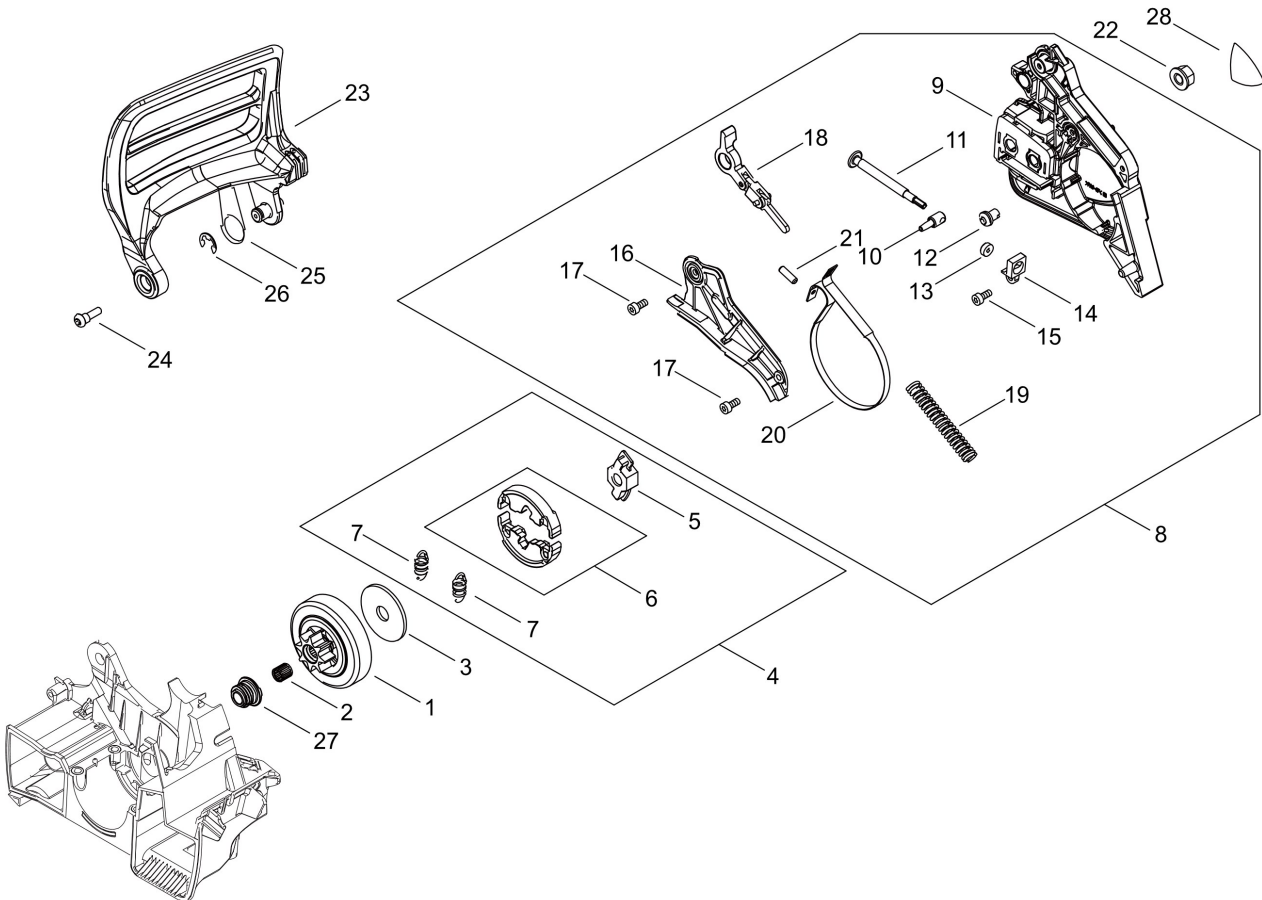


## Illustration handles

---

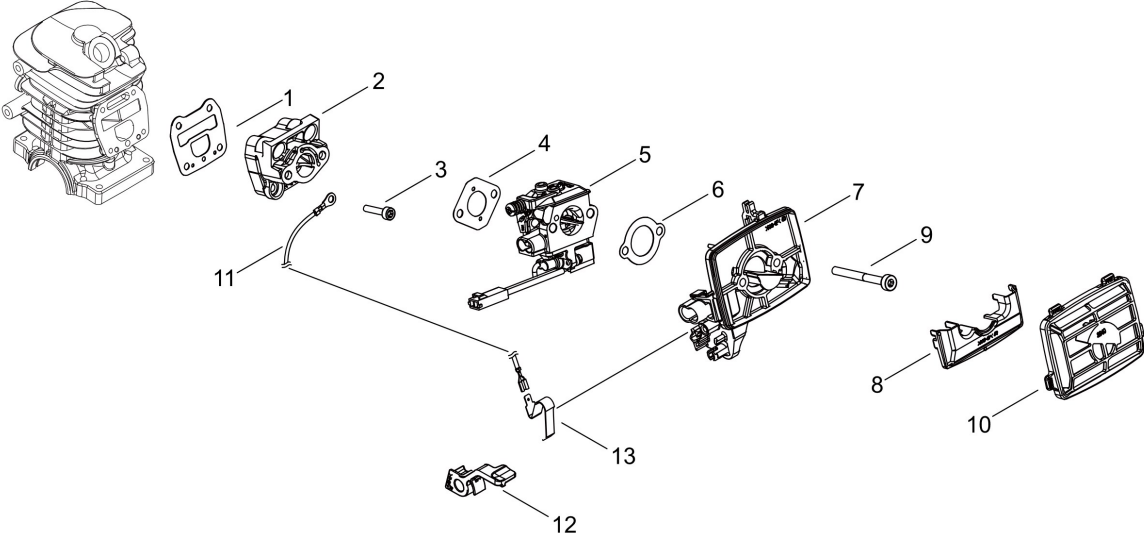
Nr.	Antal	Kod	Beskrivning	Bilaga	Anmärkningar
1	1	C454000610	Linkage Throttle, CS-3510AC		
2	1	C410001500	Handles, CS-3510AC		
3	1	C411000280	Cover, throttle grip CS-3510AC		
4	1	C450001080	Throttle, CS-3510AC		
5	1	V452000850	SPRING,TORSION		
6	1	C460000530	Throttle lockout, CS-3510AC		
7	1	V450002370	Anti-Vibration Spring, CS-3510AC		
8	1	V805000390	Screw Torx 5.5x16, 10.9, CS-3510AC		
9	1	V450002380	Anti-Vibration Spring, CS-3510AC		
10	1	V805000000	BOLT, TORX 5		
11	1	V450002390	Anti-Vibration Spring, CS-3510AC		
12	2	V805000000	BOLT, TORX 5		





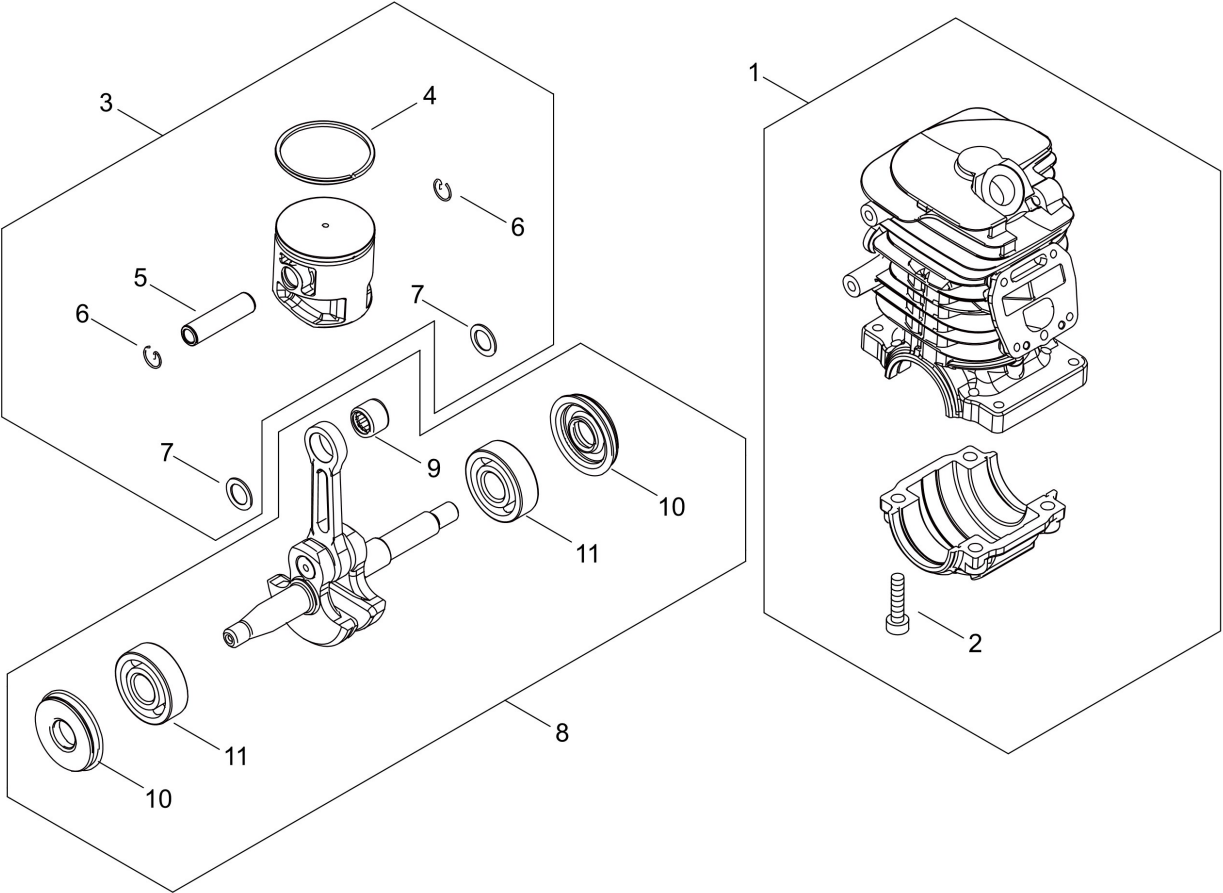
## Illustration clutch, chain brake

Nr.	Antal	Kod	Beskrivning	Bilaga	Anmärkning
1	1	A556001880	Clutch drum 3/8", CS-3510AC		
2	1	V555000170	BEARING, NEEDLE		
3	1	A551000210	Disc, clutch CS-3510AC		
4	1	A056000870	Coupling complete, CS-3510AC		
5	1	A552000500	Hub, clutch, CS-3510AC		
6	1	P100009170	Clutch shoes, set (2 pieces) CS-3510AC		
7	2	A566000350	Spring, clutch, CS-3510AC		
8	1	P100009580	Track cover with chain brake, CS-3510AC		
9	1	C300001190	Sprocket cover, CS-3510AC		
10	1	C309000030	TENSIONER, CHAIN		
11	1	V203000110	BOLT, 5		
12	1	V651000001	GEAR, BEVEL		
13	1	V651000011	GEAR, BEVEL		
14	1	V355000140	COLLAR, 8		
15	1	V804000000	BOLT, TORX 4		
16	1	C345000720	Cover, chain brake CS-3510AC		
17	2	V804000000	BOLT, TORX 4		
18	1	C334000100	CONNECTOR, BRAKE		
19	1	V450000070	SPRING, COMPRESSION		
20	1	C328000030	BAND, BRAKE		
21	1	9305030098	ROLLER		
22	2	V265000200	NUT		
23	1	C320000590	Chain brake lever, CS-3510AC		
24	1	V203002270	BOLT, 5		
25	1	V452000250	Spring		
26	1	90070000008	E-RING 8		
27	1	V652000280	Drive oil pump, CS-3510AC		
28	1	X502001250	LABEL, ECHO		



## Illustration air filter, carburetor

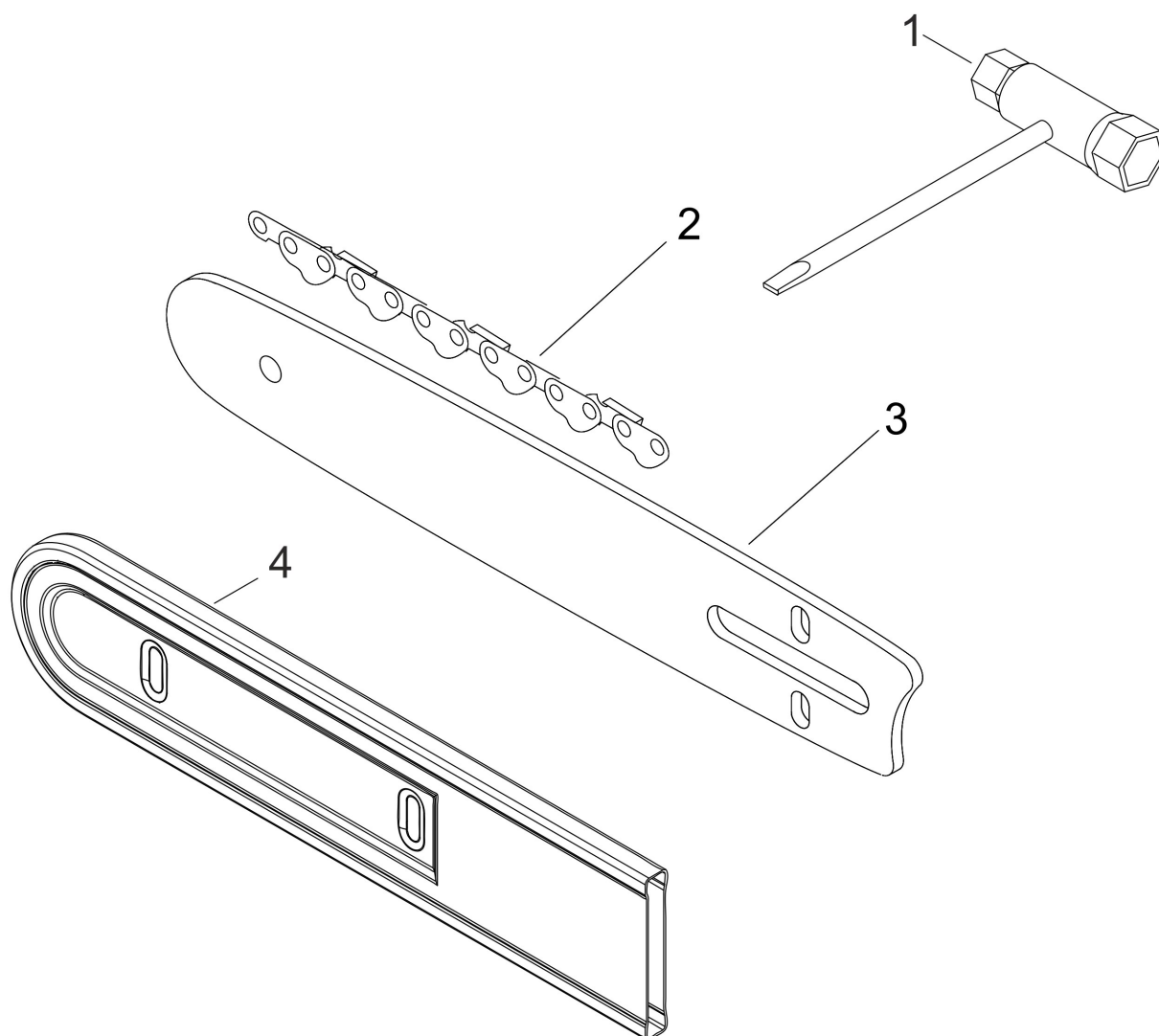
Nr.	Antal	Kod	Beskrivning	Bilaga	Anmärkningar
1	1	V103002160	Gasket cylinder and intermediate flange, CS-3510ES/AC		
2	1	A200001260	Intermediate Flange, Suction Barrel Cylinder, CS-3510AC		
3	4	V804000070	BOLT, TORX 4		
4	1	V103002170	Gasket, flange - carburetor, CS-3510AC		
5	1	A021005280	Carburettor WT-1240, CS-3510ES		
6	1	V103000500	GASKET, INTAKE		
7	1	A238000090	Bracket, air filter, CS-3510AC		
8	1	A161000420	Air Duct, CS-3510AC		
9	2	V805000080	BOLT ADHESIVE		
10	1	A226002350	Air filter, CS-3510AC		
11	1	V485003420	Cable, CS-3510AC		
12	1	A444000150	Knob, Stop Switch, CS-3510AC		
13	1	A443000190	Tab, stop switch CS-3510AC		



## Illustration Engine

---

Nr.	Antal	Kod	Beskrivning	Bilaga	Anmärkning
1	1	P100009150	Cylinder with Crankcase, CS-3510AC		
2	4	V805000210	BOLT, TORX 5		
3	1	P100009130	Piston cpl. CS-3510AC		
4	1	A101000160	RING, PISTON		
5	1	V607000000	PIN, ENG 9		
6	2	10001503931	GRIP RING		
7	2	V306000520	WASHER, CIRCULAR 8		
8	1	P100009600	Crankshaft with bearings and Si rings, CS-3510ES		
9	1	V554000030	Needle bearing, PB-2520/EB252		
10	2	V505000011	SEAL.OIL 12		
11	2	9409536201	BEARING BALL		

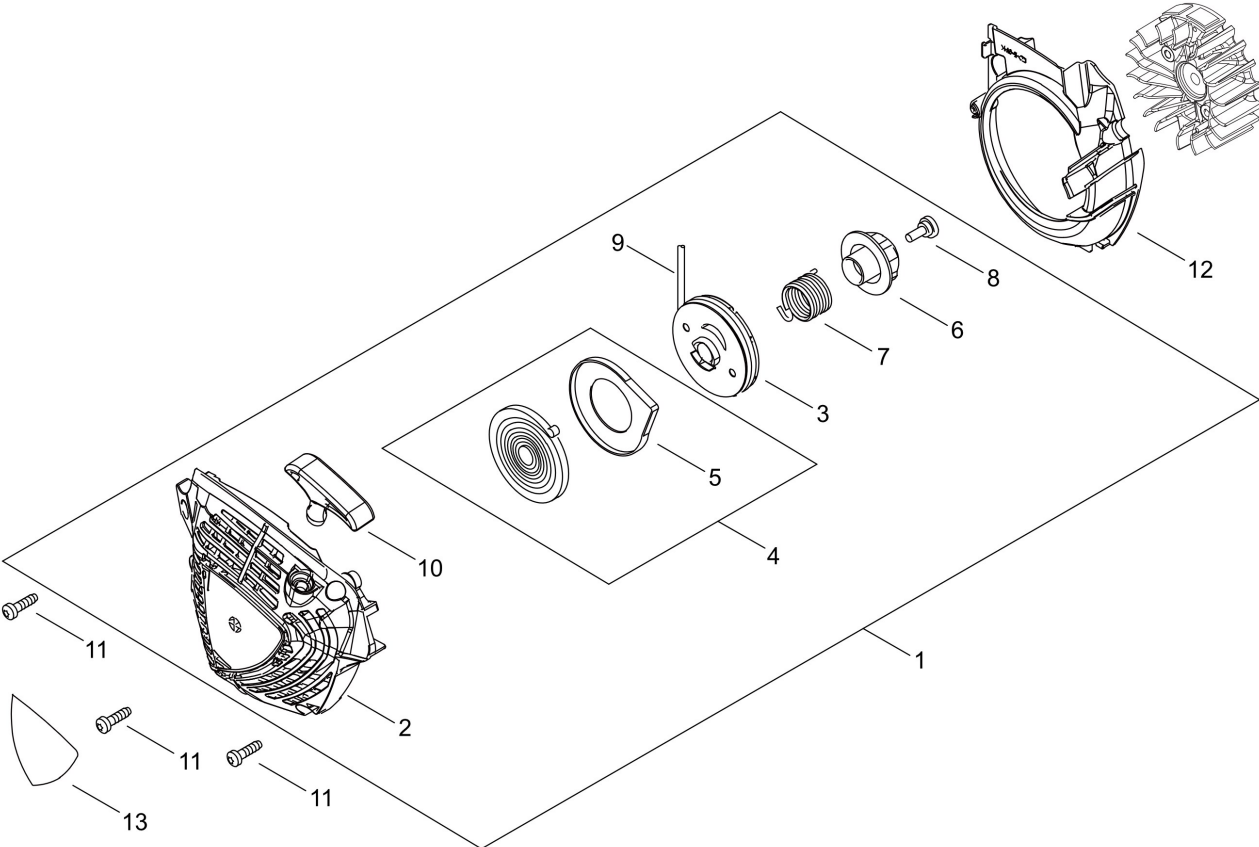


## Illustration Cutting set, accessories

---

Nr.	Antal	Kod	Beskrivning	Bilaga	Anmärkning
1	1	X602000080	TOOL, WRENCH		
2	1	KE-3013-3847	Saw chain, 30 cm 47 drive links, pitch 3/8"H		
2	1	KE-3513-3853	Saw chain, 35 cm 53 drive links, pitch 3/8"H		Standard
3	1	S-30RC-50-3/8	Bar for Chain Saw X122-000071		
3	1	S-35RC-50-3/8	Bar for Chain Saw		Standard
4	1	X490000510	SCABBARD,CHAIN		

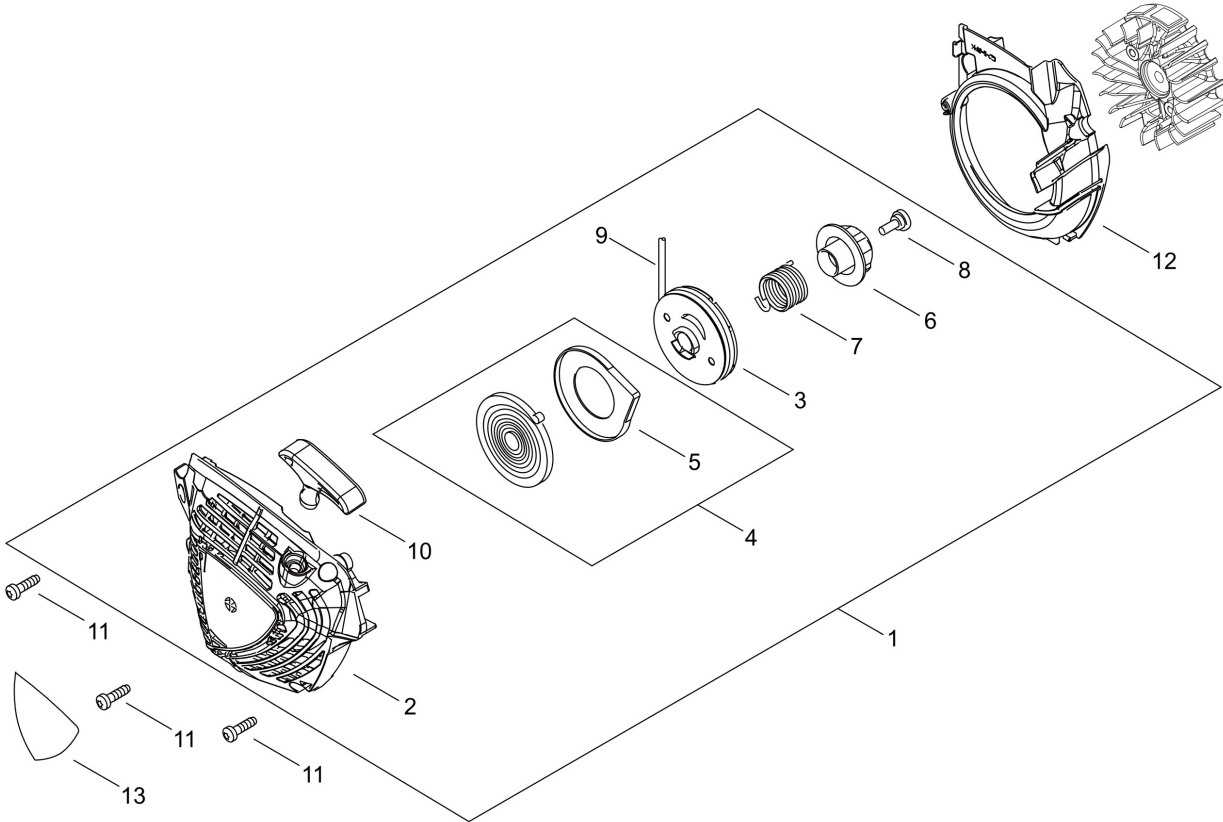




## Illustration Starter, Assy

---

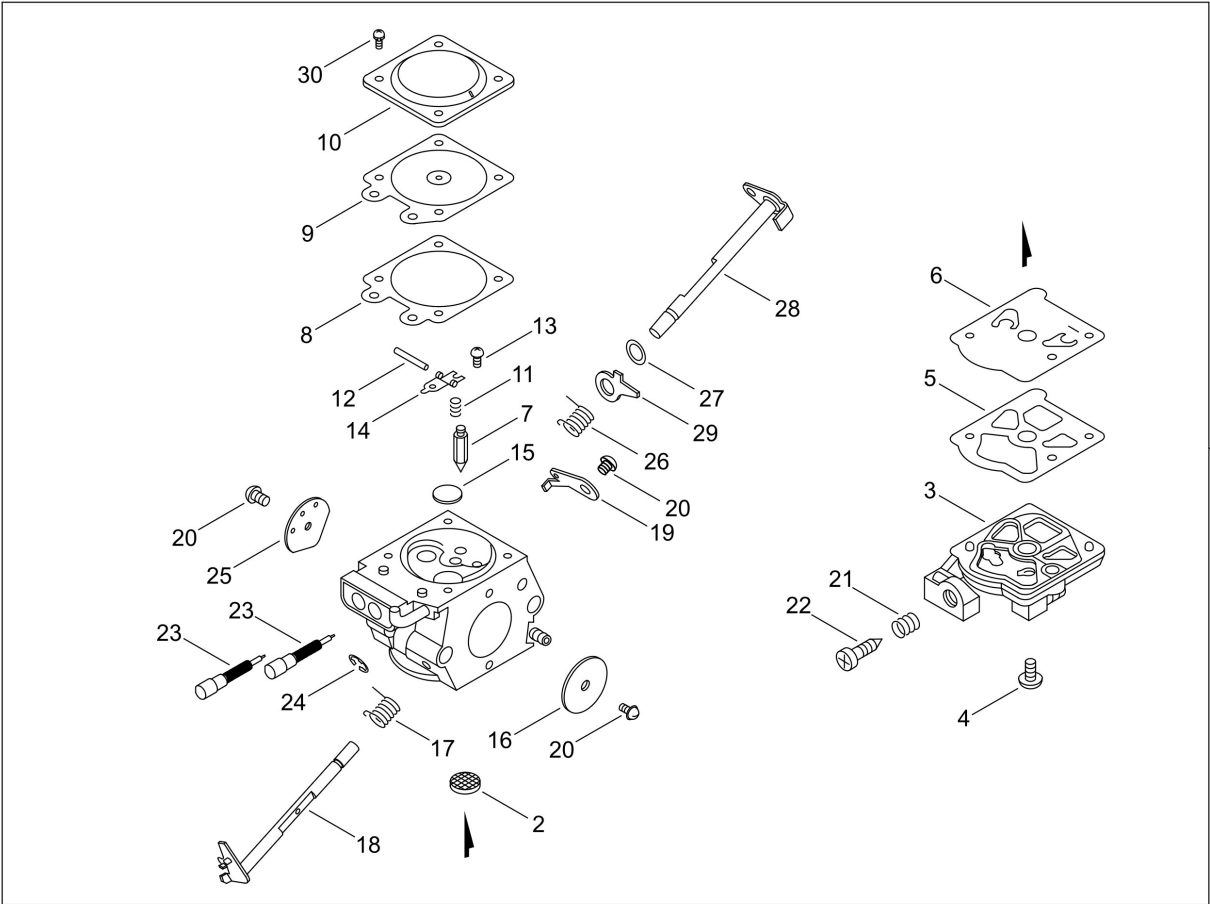
Nr.	Antal	Kod	Beskrivning	Bilaga	Anmärkningar
1	1	A051003490	starter compl. CS-3510AC		
2	1	P022055660	Housing, starter CS-3510AC		
3	1	P022055670	Sheave, CS-3510AC		
4	1	P022001330	SPRING KIT, REWIND		
5	1	P022033280	SPRING, CASE		
6	1	A507000110	CATCHER, PAWL		
7	1	V452001320	SPRING, TORSION		
8	1	17723661830	SCREW		
9	1	P022008440	ROPE, STARTER		
10	1	P022005891	GRIP, STARTER		
11	3	V805000010	BOLT, TORX 5		
12	1	A172003620	Cover, flywheel CS-3510AC		
13	1	X547003640	Sticker ECHO, CS-3510ES		



## Illustration Starter, Assy

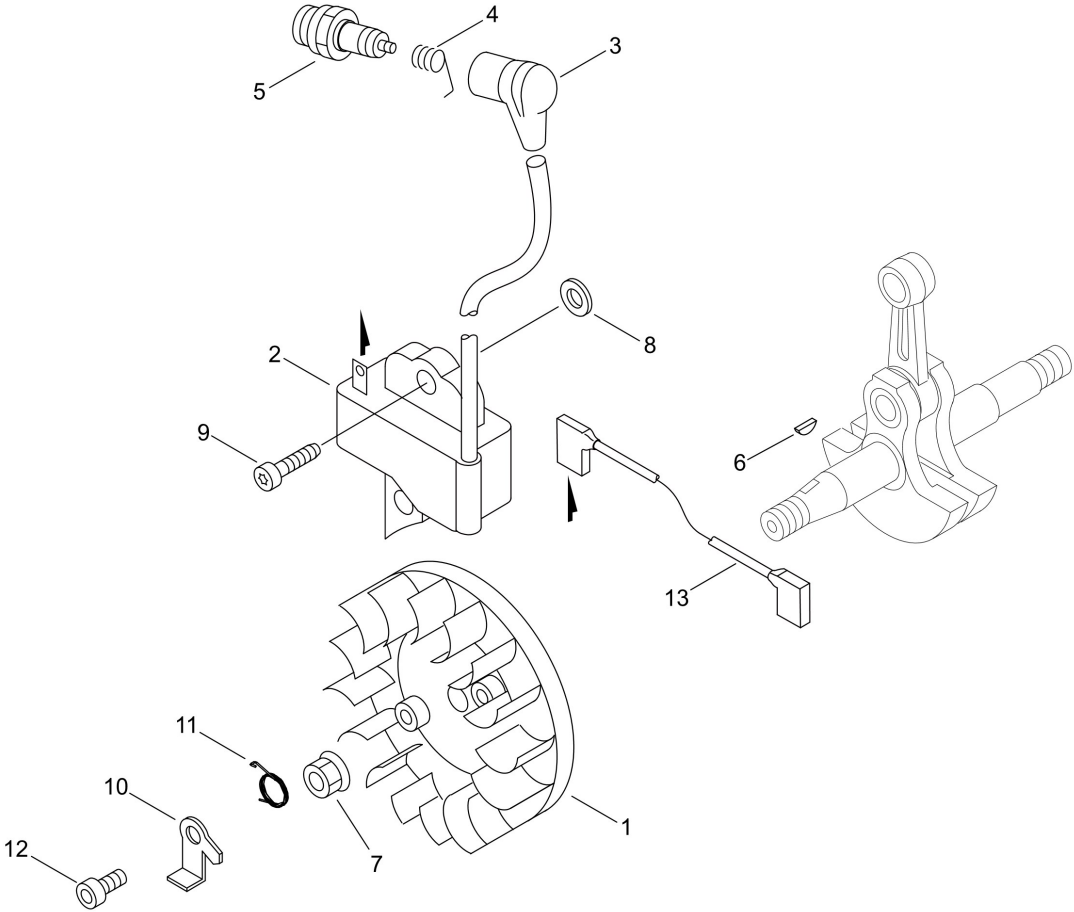
---

Nr.	Antal	Kod	Beskrivning	Bilaga	Anmärkningar
1	1	A051003490	starter compl. CS-3510AC		
2	1	P022055660	Housing, starter CS-3510AC		
3	1	P022055670	Sheave, CS-3510AC		
4	1	P022001330	SPRING KIT, REWIND		
5	1	P022033280	SPRING, CASE		
6	1	A507000110	CATCHER, PAWL		
7	1	V452001320	SPRING, TORSION		
8	1	17723661830	SCREW		
9	1	P022008440	ROPE, STARTER		
10	1	P022005891	GRIP, STARTER		
11	3	V805000010	BOLT, TORX 5		
12	1	A172003620	Cover, flywheel CS-3510AC		
13	1	X547003640	Sticker ECHO, CS-3510ES		



## Illustration Carburettor WT-1240

Nr.	Antal	Kod	Beskrivning	Bilaga	Anmärkningar
1	1	A021005280	Carburettor WT-1240, CS-3510ES		
2	1	12312610631	SCREEN, INLET		
3	1	P003006480	Cover, carburetor pump diaphragm CS-3510ES		
4	1	12311003930	SCREW, PUMP COVER		
5	1	12312515030	GASKET, FUEL PUMP		
6	1	12311215030	DIAPHRAGM, FUEL PUMP		
7	1	12313719830	VALVE, INLET NEEDLE		
8	1	12314003930	GASKET, M. DIAPHRAGM		
9	1	P003001850	DIAPHRAGM, METERING		
10	1	12314203930	COVER, M. DIAPHRAGM		
11	1	12312203660	SPRING, METER, LEVER		
12	1	12313803930	PIN, METERING LEVER		
13	1	P003005400	Screw carburetor, PB-580		
14	1	12312303930	LEVER, METERING		
15	1	12314610631	PLUG, WELCH		
16	1	P003000310	VALVE, THROTTLE		
17	1	12311337530	SPRING THROTTLE RTN		
18	1	P003000480	SHAFT, THROTTLE		
19	1	P003006470	Throttle linkage (carburetor), CS-3510AC		
20	3	12311438830	SCREW		
21	1	12313304260	SPRING, IDLE ADJUST		
22	1	12313304260	SPRING, IDLE ADJUST		
23	2	P003004190	NEEDLE		
24	2	12312715030	RING		
25	1	P003001960	VALVE		
26	1	P003002260	SPRING		
27	1	12314926030	WASHER		
28	1	P003006490	Shaft choke valve carburetor WT1240, CS-3510ES		
29	1	P003001510	LEVER-FAST IDLE		
30	4	12313002960	SCREW		



## Illustration ignition

---

Nr.	Antal	Kod	Beskrivning	Bilaga	Anmärkningar
1	1	A409001180	Rotor, Magneto		
2	1	A411001960	Ignition Module CS-3510ES		
3	1	A427000013	CAP,SPARK PLUG		
4	1	A426000010	TERMINAL,SPARKPLUG		
5	1	A425000000	SPARKPLUG		
6	1	10014212330	KEY, WOODRUFF		
7	1	90051500008	NUT,FLANGE 8		
8	2	15011716430	SPACER		
9	2	V805000210	BOLT, TORX 5		
10	2	A514000020	PAWL		
11	2	17723435430	SPRING, RETURN		
12	2	V203002250	BOLT, 5		
13	1	V485003510	Cable, AV0.5F-L:185, CS-3510ES		