

CS-4510ES (38000001-)



Dokumenten

MUFFLER

handles

Clutch, chain brake, bar cover

crankcase, engine cover

AIR CLEANER

engine, oil pump

Cutting set, accessories

Starter, Assy

CARBURETOR

ignition

Illustration MUFFLER

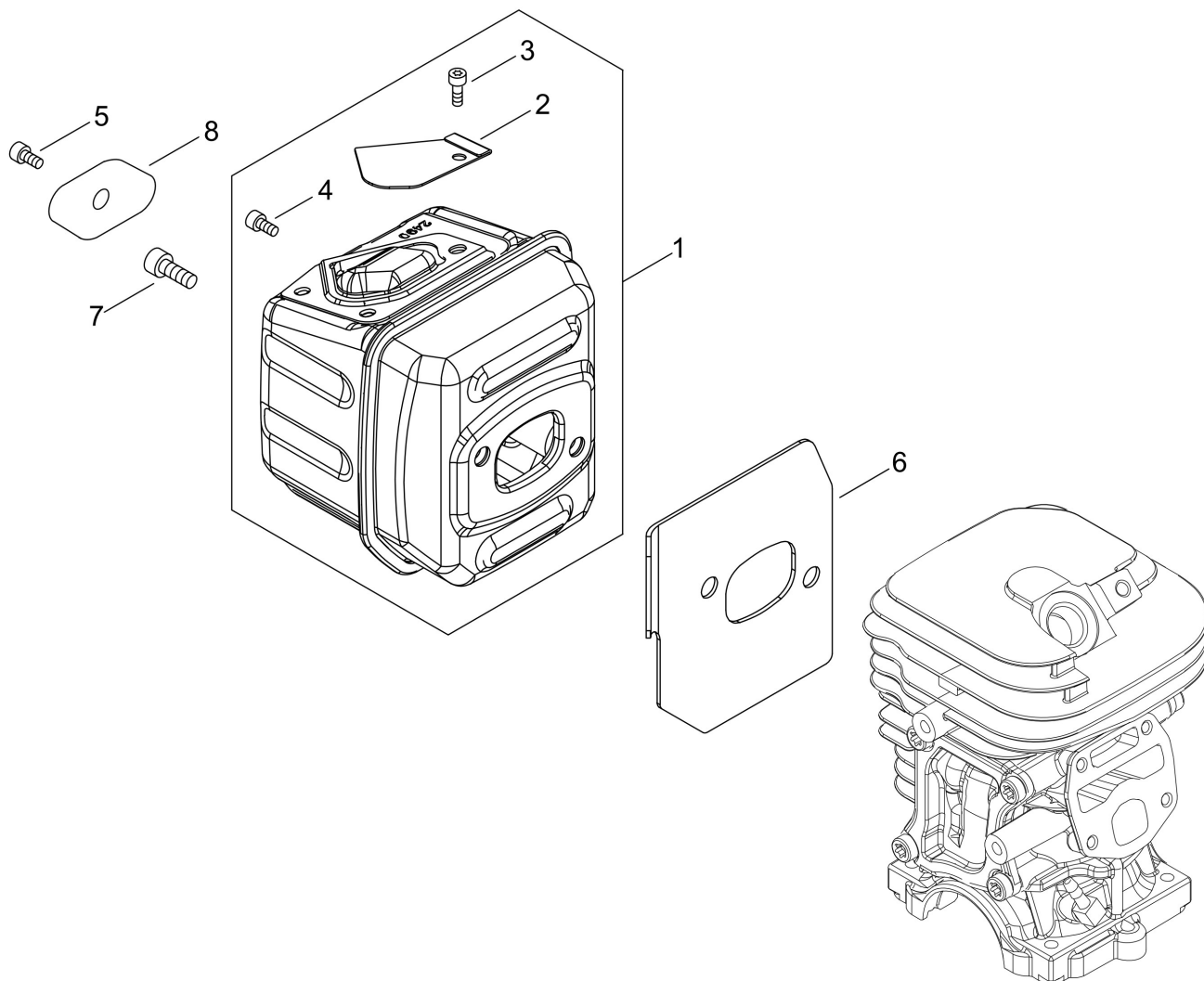


Illustration MUFLER

Nr.	Antal	Kod	Beskrivning	Bilaga	Anmärkningar
1	1	P100004620	Exhaust CS-4510ES, 451s		
2	1	A310000500	Spark screen, CSG-7410ES, EC741S		
3	1	V804000030	BOLT, TORX 4		
4	1	V804000030	BOLT, TORX 4		
5	1	V804000030	BOLT, TORX 4		
6	1	V104002340	Gasket, exhaust CS-4510ES, 451s		
7	2	V805000250	BOLT, TORX 5		
8	1	14571160631	STAY, MUFLER		

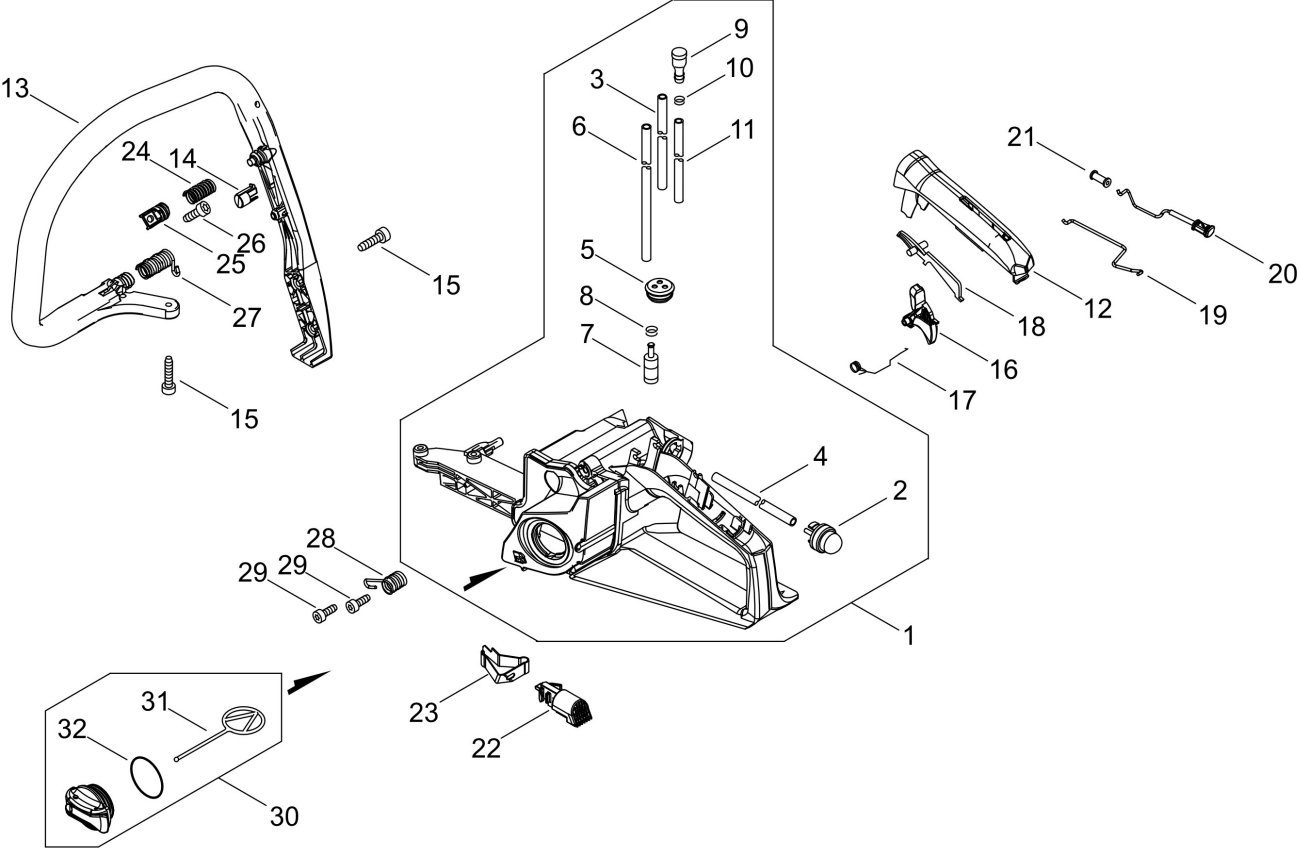


Illustration handles

Nr.	Antal	Kod	Beskrivning	Bilaga	Anmärkningar
1	1	P100004634	Rear handle with fuel tank, CS-4510ES		
2	1	12318139130	PUMP, PRIMER		
3	1	V471001291	PIPE		
4	1	V471005211	Gas line (rubber) CS-4510ES, 451s 2.4x5x165		
5	1	13211555931	GROMMET, FUEL		
6	1	V471005181	Gas line (rubber) CS-4510ES, 451s 3x5x300		
7	1	A369000420	STRAINER, FUEL		
8	1	V490001240	CLIP		
9	1	13130056431	VENT ASSEMBLY, FUEL		
10	1	V490001230	CLIP		
11	1	V471005191	Oil hose 4510ES, 451s 3x6x49		
12	1	C411000230	Rear handle cover (rubber), CS-4510ES, 451s		
13	1	C400001630	Front handle, CS-4510ES, 451s		
14	1	V420005270	Damper front handle, spring, CS-4510ES, 451s		
15	4	V805000010	BOLT, TORX 5		
16	1	C450001041	Throttle CS-4510ES, 451s		
17	1	V452000260	SPRING, THR.RETURN		
18	1	17809037930	LOCKOUT, T. CONTROL		
19	1	C454000570	Throttle linkage CS-4510ES, 451s		
20	1	A241000370	Choke lever CS-4510ES, 451s		
21	1	17881014535	GROMMET		
22	1	A444000120	Knob, Stop Switch, CS4510ES, 451s		
23	1	V486000540	Cable with plug, stop button, CS-4510ES, 451s		
24	1	V450002200	Spring, Front Handle, CS-4510ES, 451s		
25	1	V456000240	HOLDER, SPRING		
26	1	V805000140	BOLT, TORX 5		
27	1	V450002180	Spring, Front Handle, CS-4510ES, 451s		
28	1	V450002190	Spring, Front Handle, CS-4510ES, 451s		
29	2	V805000240	BOLT, TORX 5		
30	1	P100004640	Gas cap CS-4510ES		
31	1	A365000050	CONNECTOR,CAP		
32	1	90072020029	O-RING 29		

Illustration Clutch, chain brake, bar cover

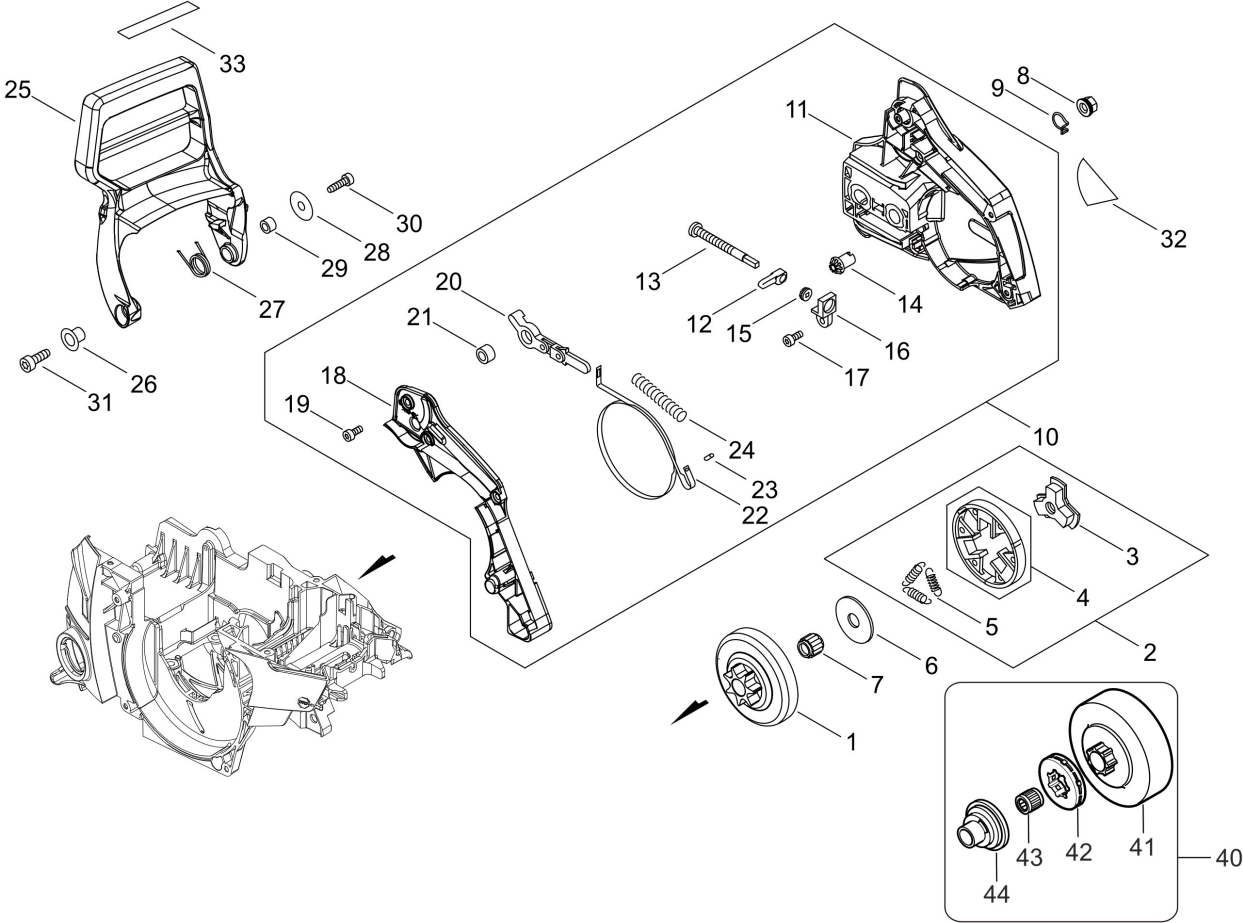


Illustration Clutch, chain brake, bar cover

Nr.	Antal	Kod	Beskrivning	Bilaga	Anmärkningar
1	1	A556000481	DRUM, CLUTCH		
2	1	A056000840	clutch cpl. CS-4510ES, 451s		
3	1	A552000470	Hub, clutch, CS-4510ES, 451s		
4	1	P021007051	Clutch shoe (set = 3 pieces), CS-4510ES, 451s		
5	3	V451000500	SPRING, TENSION		
6	1	17501939430	CLUTCH PLATE		
7	1	V555000170	BEARING, NEEDLE		
8	2	V265000550	NUT, 8		
9	2	C649000420	HOOK		
10	1	P100004652	Sprocket cover cpl. with chain brake, CS-4510ES		
11	1	C300001161	Sprocket cover CS-4510ES		
12	1	C309000070	TENSIONER, CHAIN		
13	1	V203000110	BOLT, 5		
14	1	V651001040	Spur gear chain tensioner, CS-4510ES, 451s		
15	1	V651001050	gear side Chain tensioner, CS-4510ES, 451s		
16	1	V355000140	COLLAR, 8		
17	1	V804000010	BOLT, TORX 4		
18	1	C345000651	Cover, brake band CS-4510ES		
19	4	V804000010	BOLT, TORX 4		
20	1	C334000100	CONNECTOR, BRAKE		
21	1	43311635430	SPACER 8		
22	1	C328000110	BAND, BRAKE		
23	1	90033030120	Pin		
24	1	V450000070	SPRING, COMPRESSION		
25	1	C320000530	Chain brake lever, CS-4510ES, 451s		
26	1	V356000430	BELLOWS, INTAKE		
27	1	V452001281	SPRING, TORSION		
28	1	17721403930	Washer		
29	1	43311635430	SPACER 8		
30	1	V804000010	BOLT, TORX 4		
31	1	V805000010	BOLT, TORX 5		
32	1	X502001050	Sticker "ECHO" CS-4510ES		
33	1	X505010150	Caution sticker CS-4510ES, 451s		
40	1	P021035570	Kit, conversion to ring sprocket .325"		
41	1	A556001270	Clutch drum for track sprocket		
42	1	17511412530	SPROCKET, RIM .325		

Illustration Clutch, chain brake, bar cover

Nr.	Antal	Kod	Beskrivning	Bilaga	Anmärkning
43	1	10001212331	BEARING, NEEDLE		
44	1	V356000352	Oil pump drive with .325" ring sprocket		

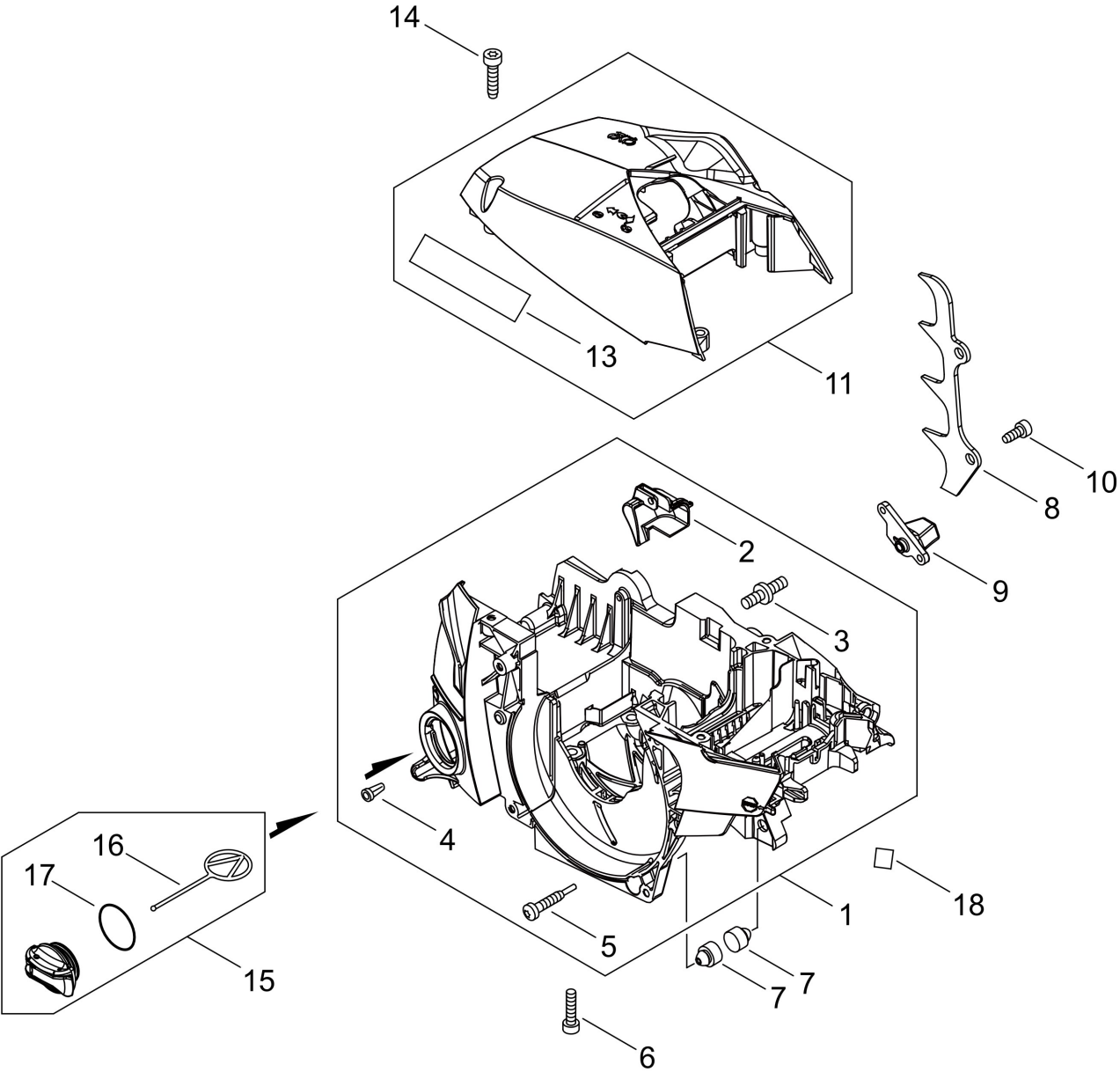


Illustration crankcase, engine cover

Nr.	Antal	Kod	Beskrivning	Bilaga	Anmärkningar
1	1	P100004600	Motor housing with integrated oil tank, CS-4510ES		
2	1	A161000370	Air duct to carburetor CS-4510ES, 451s		
3	2	V225000370	Stud, CS-4610ES, 451s M8	TI_Y2014-552	
4	1	43611413930	VALVE, CHECK		
5	1	V203002380	Screw bolts, rubber buffers, CS-4610ES, 451s		
6	4	V805000270	Screw Torx 5x40 DG 12.9, CS-4510ES, 451s		
7	2	V420001790	CUSHION		
8	1	C304000330	Stop Claw CS-4510ES, 451s		
9	1	C310000150	Chain stop bolt CS-4510ES, 451s		
10	3	V805000010	BOLT, TORX 5		
11	1	A160003360	Cylinder cover with sticker, CS-4510ES		
13	1	X502001060	Sticker "ECHO", CS-4510ES		
14	3	V805000010	BOLT, TORX 5		
15	1	P100004610	Oil tank cap CS-4510ES/DCS-2500T/451s		
16	1	A365000050	CONNECTOR,CAP		
17	1	90072020029	O-RING 29		
18	1	X510001050	Sticker switch, CS-4510ES, 451s		

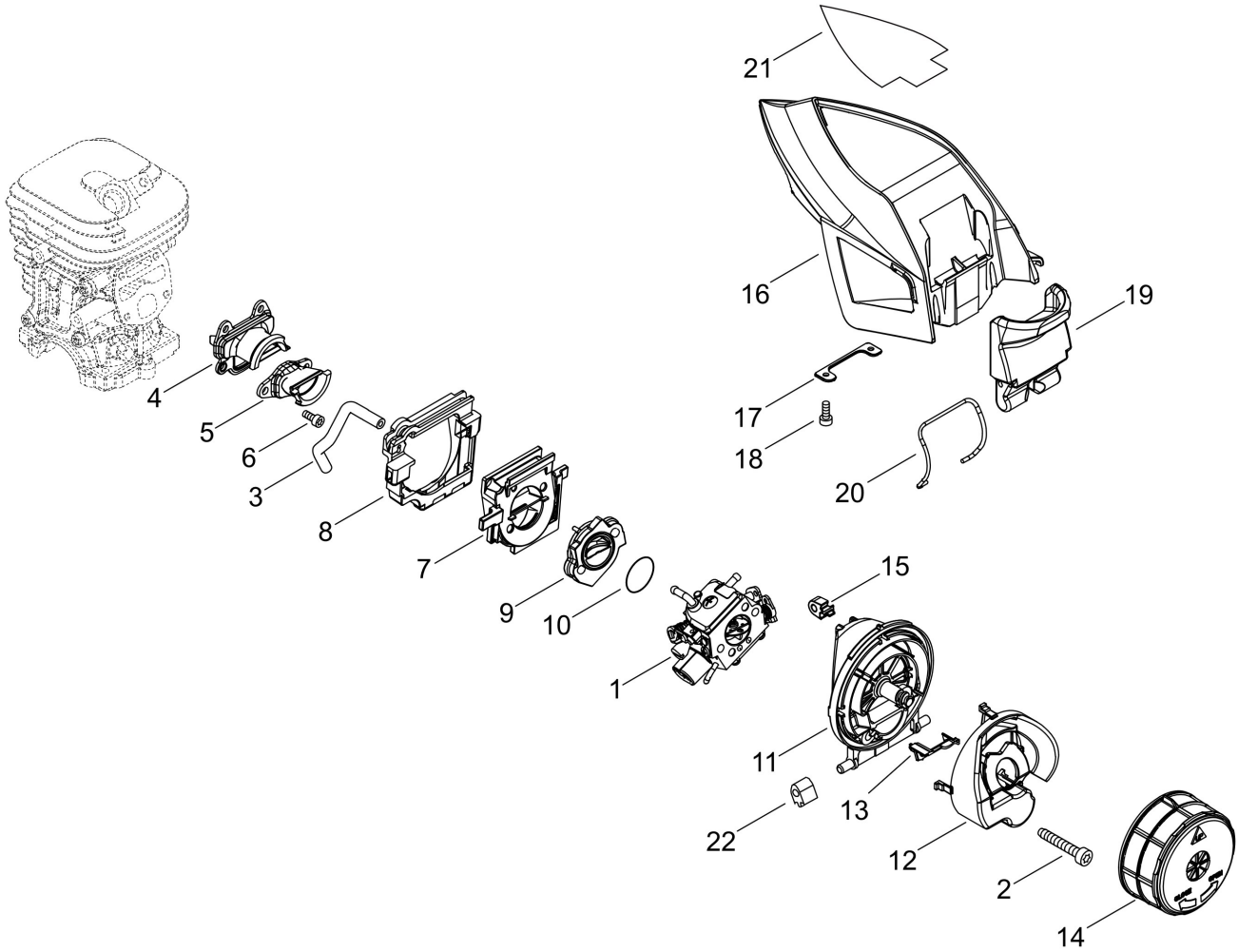


Illustration AIR CLEANER

Nr.	Antal	Kod	Beskrivning	Bilaga	Anmärkningar
1	1	A021004811	Carburettor, CS-4510ES, 451s		
2	2	V805000040	BOLT, TORX 5		
3	1	V471000761	Pipe		
4	1	A202000310	Upper intake manifold, CS-410ES, 451s		
5	1	A202000320	Intake manifold below, CS-410ES, 451s		
6	4	V804000050	BOLT, TORX 4		
7	1	A200001150	Adapter flange cylinder side, CS-4510ES, 451s		
8	1	V420005250	Damper rubber, intermediate flange CS-4510ES, 451s		
9	1	A200001160	Adapter flange carburetor side, CS-4510ES, 451s		
10	1	90072400022	O-RING S-22		
11	1	A225000730	Air Cleaner Housing, CS-4510ES, 451s		
12	1	A161000350	Air duct CS-4510ES, 451s		
13	1	A161000360	Air duct carburetor small, CS-4510ES, 451s		
14	1	A226002150	Air filter standard, CS-4510ES, 451s		
15	1	V420005260	Rubber damper, air filter housing. CS-4510ES, 451s		
16	1	A232001940	Air filter cover, CS-4510ES		
17	1	V453000260	Spring, Flat Air Cleaner Cover, CS-4510ES, 451s		
18	2	V804000000	BOLT, TORX 4		
19	1	A235000440	Fastener, air cleaner cover, CS-4510ES, 451s		
20	1	V582000280	Clamp, air filter catch, CS-4510ES, 451s		
21	1	X503014630	Sticker, model, CS-4510ES		
22	2	V420005260	Rubber damper, air filter housing. CS-4510ES, 451s		

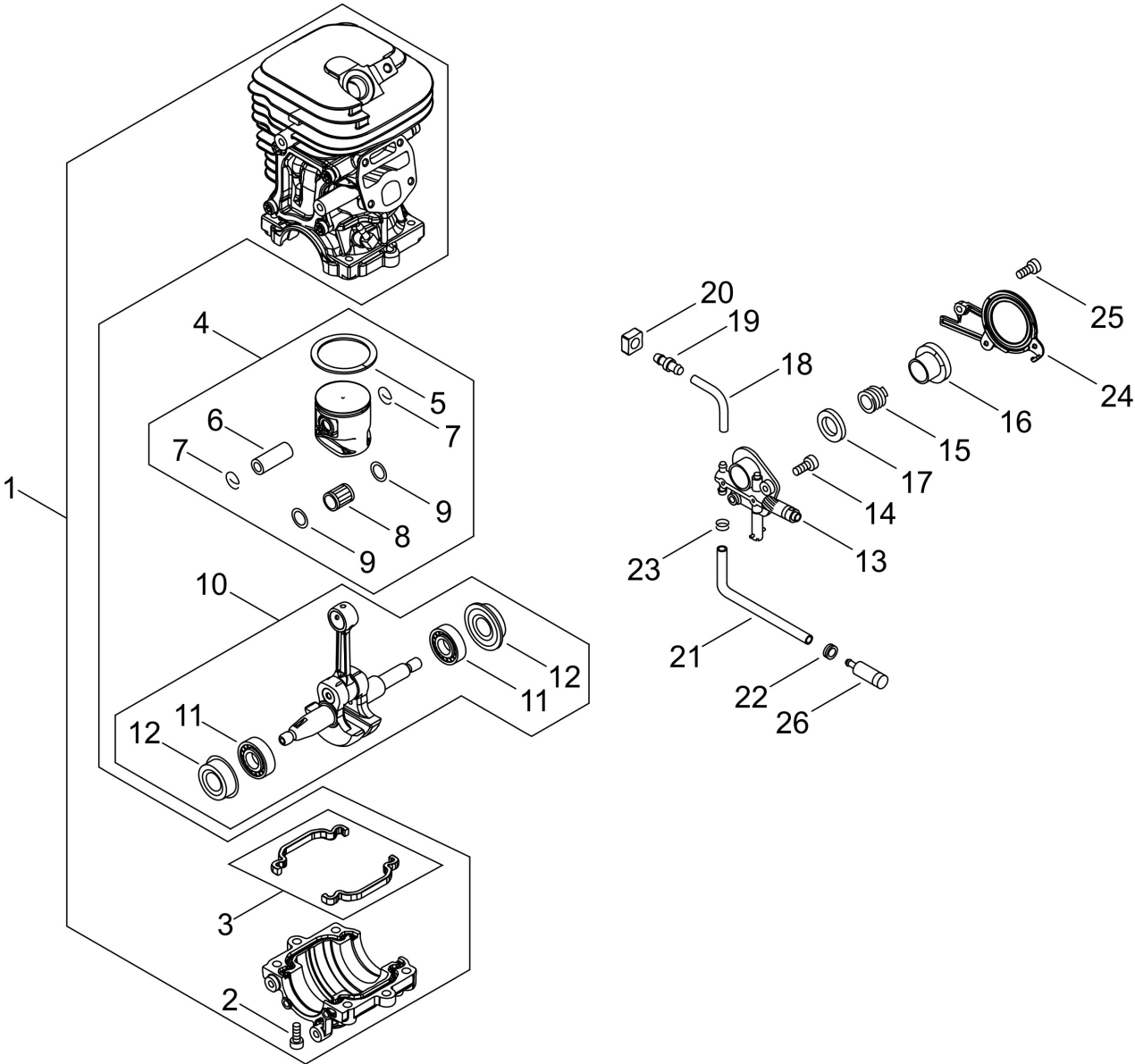


Illustration engine, oil pump

Nr.	Antal	Kod	Beskrivning	Bilaga	Anmärkningar
1	1	P100004570	Cylinder with crankcase, CS-4510ES/451s		
2	2	V805000250	BOLT, TORX 5		
3	1	P200000890	Gasket, cylinder base, kit, CS-4510ES		
4	1	P100004580	Piston complete, CS-4510ES, 451s		
5	1	A101000710	Piston ring CS-4510ES, 451s		
6	1	10001339730	Pin, Piston		
7	2	V580000010	RING, END		
8	1	V555000140	BEARING, NEEDLE		
9	2	10001417330	SPACER		
10	1	P100004590	Crankshaft with bearings and Si rings, CS-4510ES, 451s		
11	2	90081036202	BEARING, BALL 6202		
12	2	V508000110	Simmering CS-4510ES, 451s		
13	1	C022000010	OILER, ASM AUTO		
14	2	V805000140	BOLT, TORX 5		
15	1	V652000030	GEAR, WORM		
16	1	V356000352	Oil pump drive with .325" ring sprocket		
16	1	V356000390	COLLAR,10		
17	1	V308000030	WASHER,CIRCULAR 11		
18	1	V471005191	Oil hose 4510ES, 451s 3x6x49		
19	1	V187000010	NIPPLE		
20	1	A203000090	Seal, oil line CS-4510ES, 451s		
21	1	V471005201	Oil line, CS-4510ES, 451s 3x6x20		
22	1	13211501462	Gas tank sealing ring, CS-310ES/CS-352ES/CS-3510ES/ DCS-2500T/ES-255ES/PPT-2620 ES		
23	1	V490001230	CLIP		
24	1	C236000160	Cover, oil pump 4510ES, 451s		
25	1	V804000000	BOLT, TORX 4		
26	1	P100001900	Oil Filter, 4510ES, 451s		

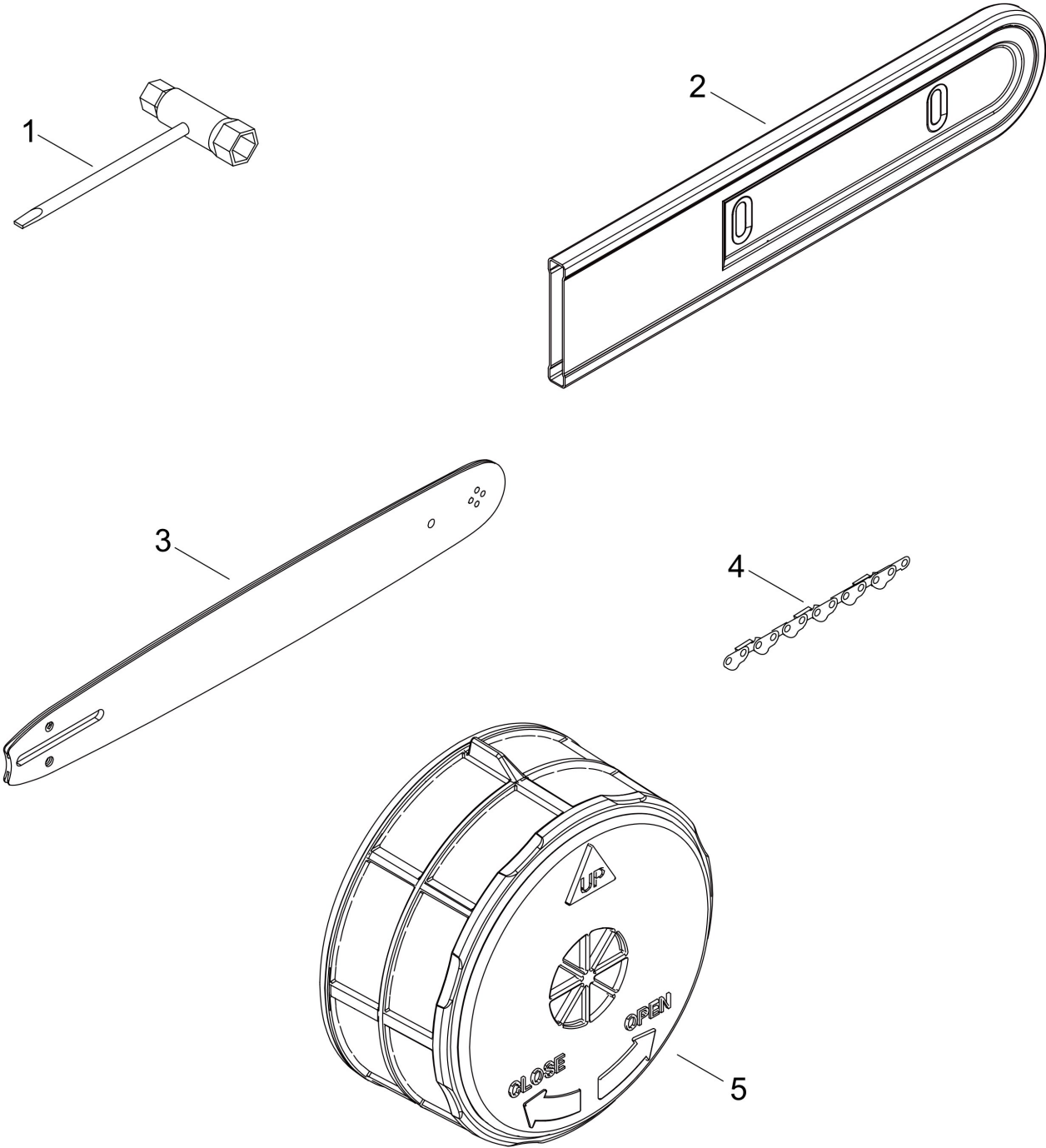


Illustration Cutting set, accessories

Nr.	Antal	Kod	Beskrivning	Bilaga	Anmärkningar
1	1	X602000080	TOOL, WRENCH		
2	1	X490000490	SCABBARD, CHAIN		
3	1	S-33YL-58-325	Chain bar 33 cm, 56 drive links (1.5) 325" CS-4510ES		
3	1	S-38YL-58-325	Chain bar 38 cm, 64 drive links (1.5) 325" CS-4510ES		
3	1	S-45YL-58-325	Chain bar 45 cm, 72 drive links (1.5) 325" CS-4510ES		
4	1	KE-3315-3256	SAW CHAIN 13" 21BP-56X		
4	1	KE-3815-3264	SAW CHAIN 15" 21BP-64X		
4	1	KE-4515-3272	Saw chain - 45cm 72 drive links, 1.5 gauge, pitch .325		
5	1	A226002190	Air Cleaner Accessory (Open-Close), CS-4510ES, 451s		

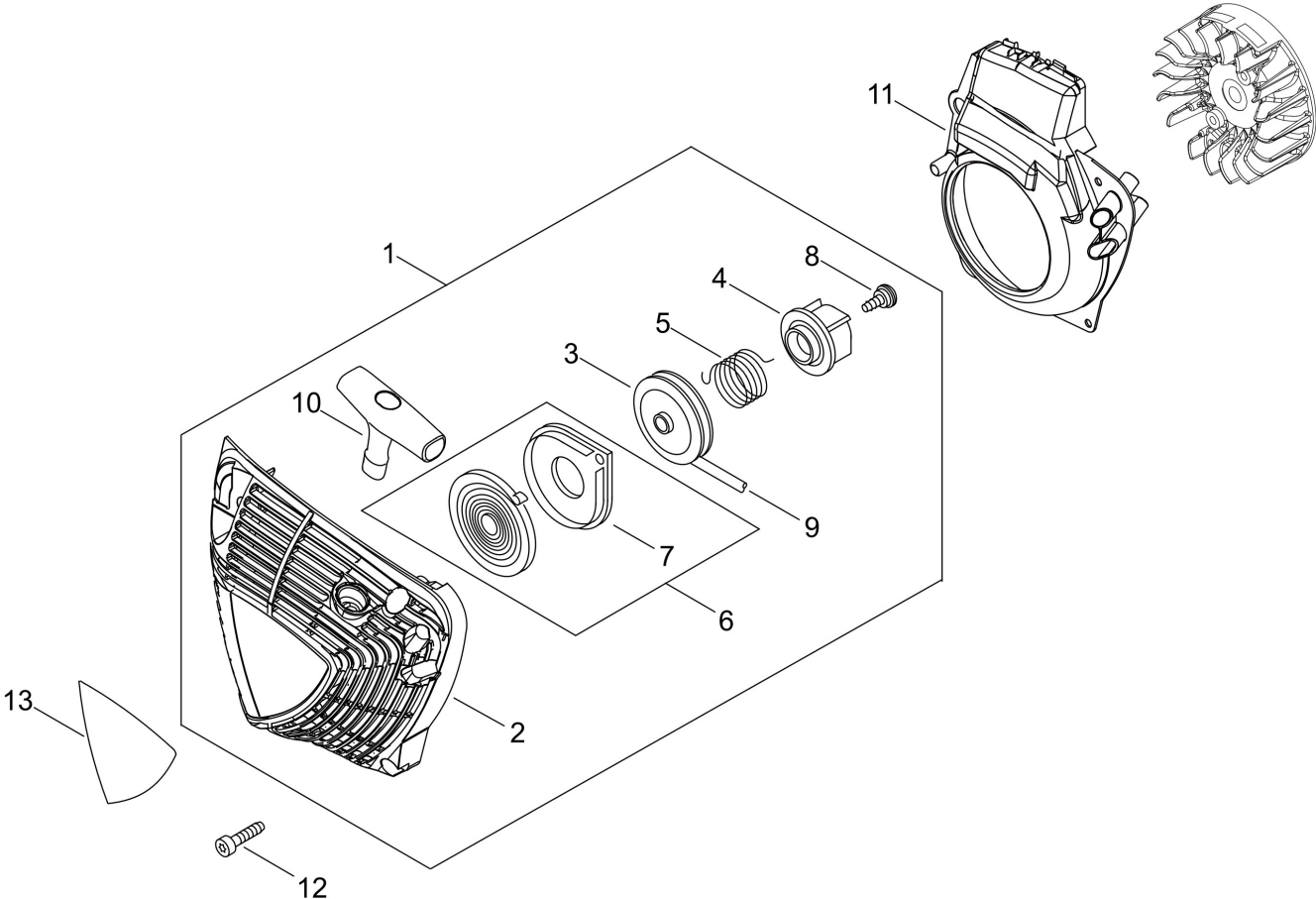


Illustration Starter, Assy

Nr.	Antal	Kod	Beskrivning	Bilaga	Anmärkning
1	1	A051003300	Starter complete, CS-4510ES, 451s		
2	1	P022050400	Starter housing CS-4510ES		
3	1	P022050410	Sheave, CS-4510ES, 451s		
4	1	P022050430	Starter pawl CS-4510ES, 451s		
5	1	P022050420	Spring, Starter, CS-4510ES, 451s		
6	1	P022001330	SPRING KIT, REWIND		
7	1	P022033280	SPRING, CASE		
8	1	17723661830	SCREW		
9	1	P022050440	Starter rope, CS-4510ES, 451s		
10	1	P022050450	Starter grip CS-4510ES, 451s		
11	1	A172003290	Cover, flywheel CS-4510ES, 451s		
12	3	V805000010	BOLT, TORX 5		
13	1	X503014430	Decal, model CS-4510ES		

Illustration CARBURETOR

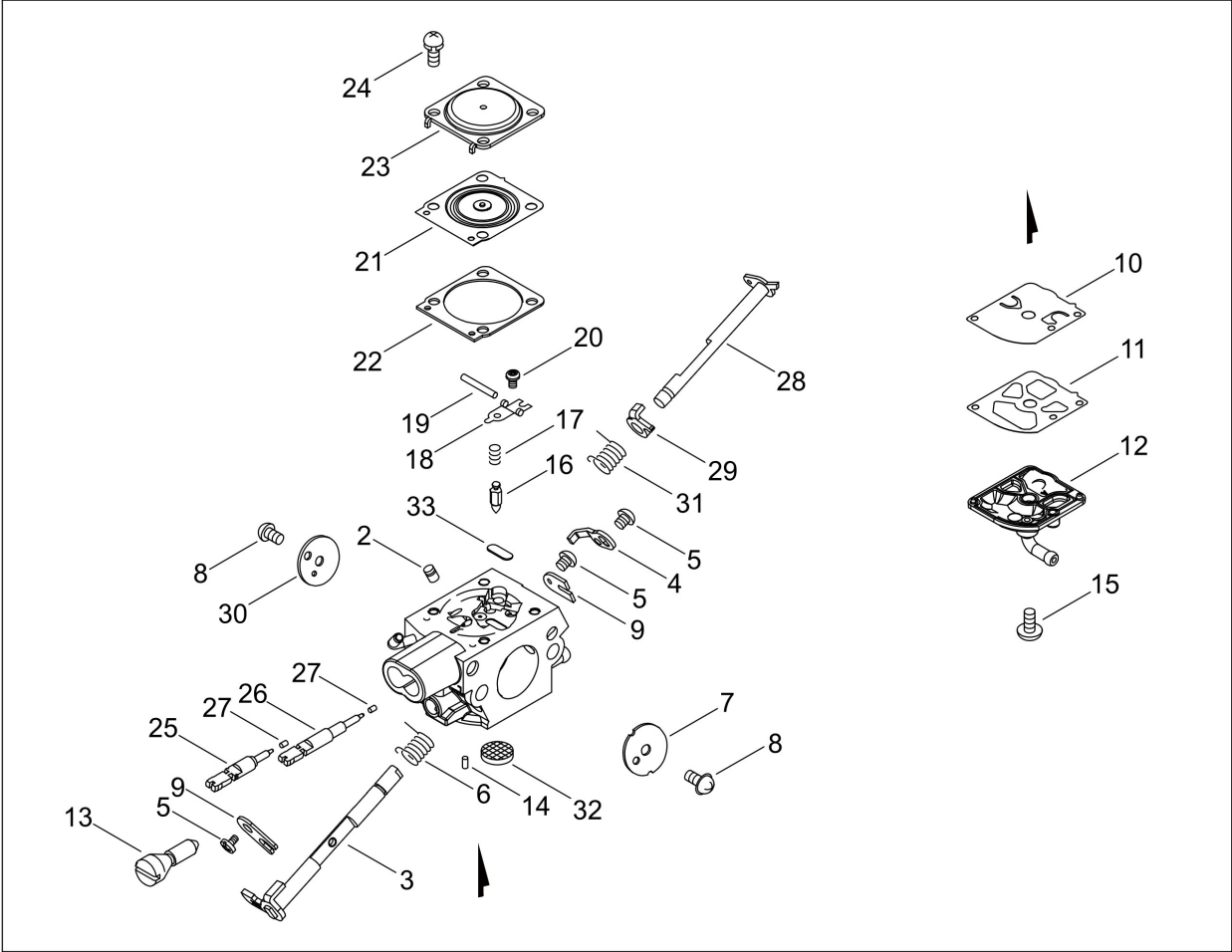


Illustration CARBURETOR

Nr.	Antal	Kod	Beskrivning	Bilaga	Anmärkningar
1	1	A021004811	Carburettor, CS-4510ES, 451s		
2	1	P005004060	Nozzle, check valve, carburetor CS-4510ES, 451s		
3	1	P005004070	Shaft, throttle body, CS-4510ES, 451s		
4	1	P005004080	Throttle Lever Carburetor, CS-4510ES, 451s		
5	3	12534813930	BOLT		
6	1	P005004090	Throttle shaft spring, CS-4510ES, 451s		
7	1	P005004100	Throttle body, CS-4510ES, 451s		
8	2	12531451230	BOLT		
9	2	P005003820	Stop gas carburetor, CS-4510ES, 451s		
10	1	P005001110	DIAPHRAGM, PUMP		
11	1	12532508360	GASKET, PUMP		
12	1	P005004110	Cover, pump side, CS-4510ES, 451s		
13	1	P005004120	Screw, idle, CS-4510ES, 451s		
14	1	12537813930	COLLAR		
15	1	12531013930	BOLT		
16	1	P005004030	Inlet valve carburetor, CS-4510ES, 451s		
17	1	12532213930	SPRING, COIL		
18	1	12532308260	ARM VALVE		
19	1	12533813930	PIN,METERING ARM		
20	1	P005004130	Bolt, valve arm, CS-4510ES, 451s		
21	1	P005004300	Pump diaphragm, CS-4510ES/451S		
22	1	P005003200	GASKET, METERING		
23	1	P005003210	COVER, METERING		
24	4	P005003840	Screw, carburetor cover, CS-4510ES, 451s		
25	1	P005004290	Adjusting needle H, carburetor, CS-4510ES, 451s		
26	1	P005004170	Adjusting needle L, carburetor, CS-4510ES, 451s		
27	2	12536312820	RETAINER		
28	1	P005004180	Shaft, choke valve, CS-4510ES, 451s		
29	1	P005004190	Choke lever carburetor, CS-4510ES, 451s		
30	1	P005004200	Throttle Choke, CS-4510ES, 451s		
31	1	P005004210	Choke shaft spring, CS-4510ES, 451s		
32	1	P005000860	SCREEN, FUEL INLET		

Illustration CARBURETOR

Nr.	Antal	Kod	Beskrivning	Bilaga	Anmärkningar
33	1	P005000410	Plug, carburetor, CS-4510ES, 451s		

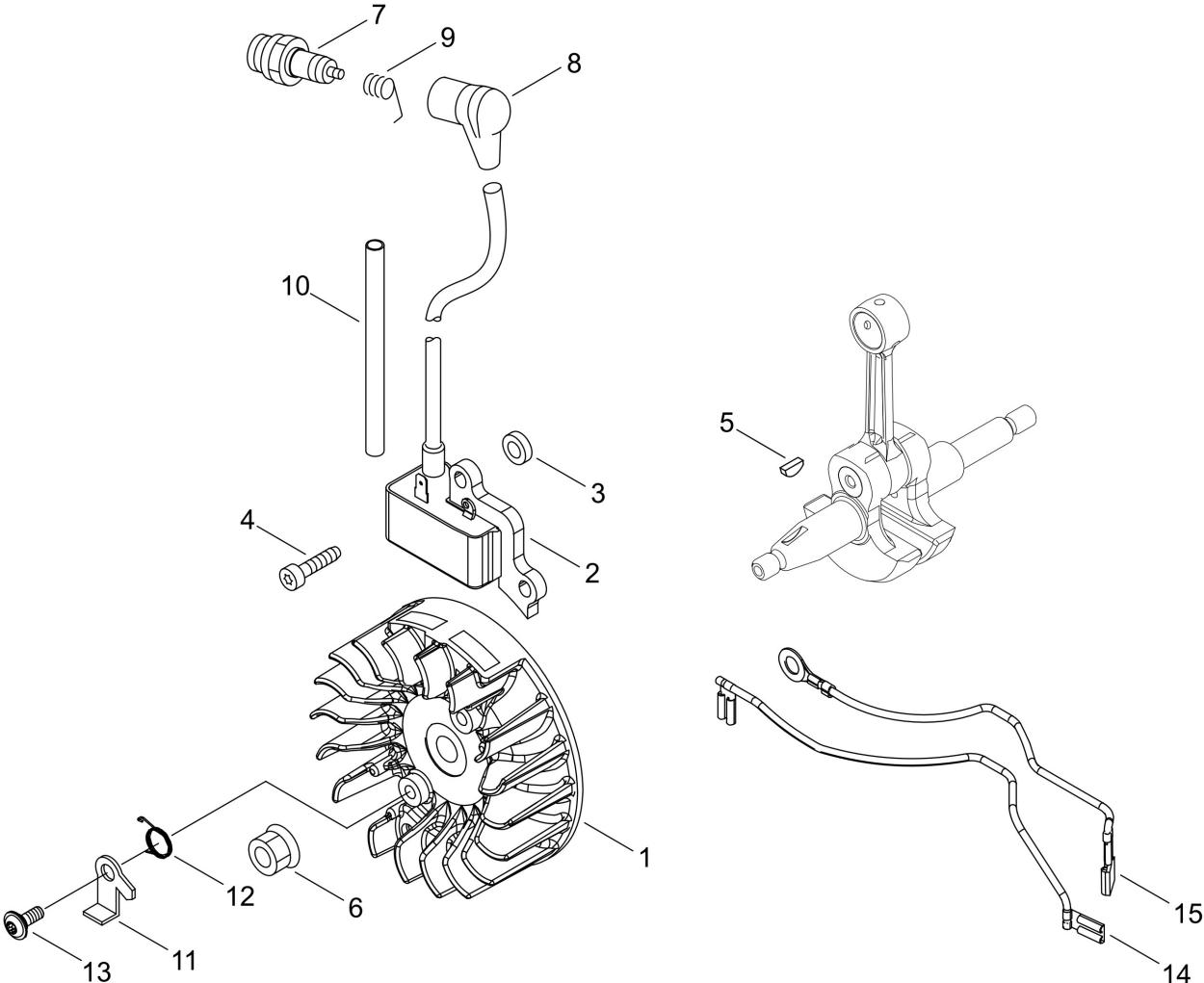


Illustration ignition

Nr.	Antal	Kod	Beskrivning	Bilaga	Anmärkningar
1	1	A409001330	Flywheel CS-4510ES, 451s		
2	1	A411001740	Ignition Module, CS-4510ES, 451s		
3	2	15011716430	SPACER		
4	2	V805000210	BOLT, TORX 5		
5	1	10014212330	KEY, WOODRUFF		
6	1	90051500008	NUT,FLANGE 8		
7	1	A425000000	SPARKPLUG		
8	1	A427000190	CAP, SPARK PLUG		
9	1	A426000010	TERMINAL,SPARKPLUG		
10	1	V475009180	Grommet, ignition cable CS-4510ES, 451s SSG-1, 6x7.2x100		
11	2	A514000050	Pawl		
12	2	17723435430	SPRING, RETURN		
13	2	V203002250	BOLT, 5		
14	1	V485002960	Cable, L155, CS-4510ES, 451s		
15	1	V485002970	Cable, L153, CS-4510ES, 451s		