

CS-4920



## Dokumenten

01\_CYLINDER\_\_PISTON\_\_CRANKSHAFT

---

02\_ENGINE\_COVER

---

03\_MAGNETO

---

04\_AIR\_CLEANER\_\_CARBURETOR

---

05\_CARBURETOR

---

06\_MUFFLER

---

07\_RECOIL\_STARTER

---

08\_HANDLE

---

09\_CHAIN\_BRAKE

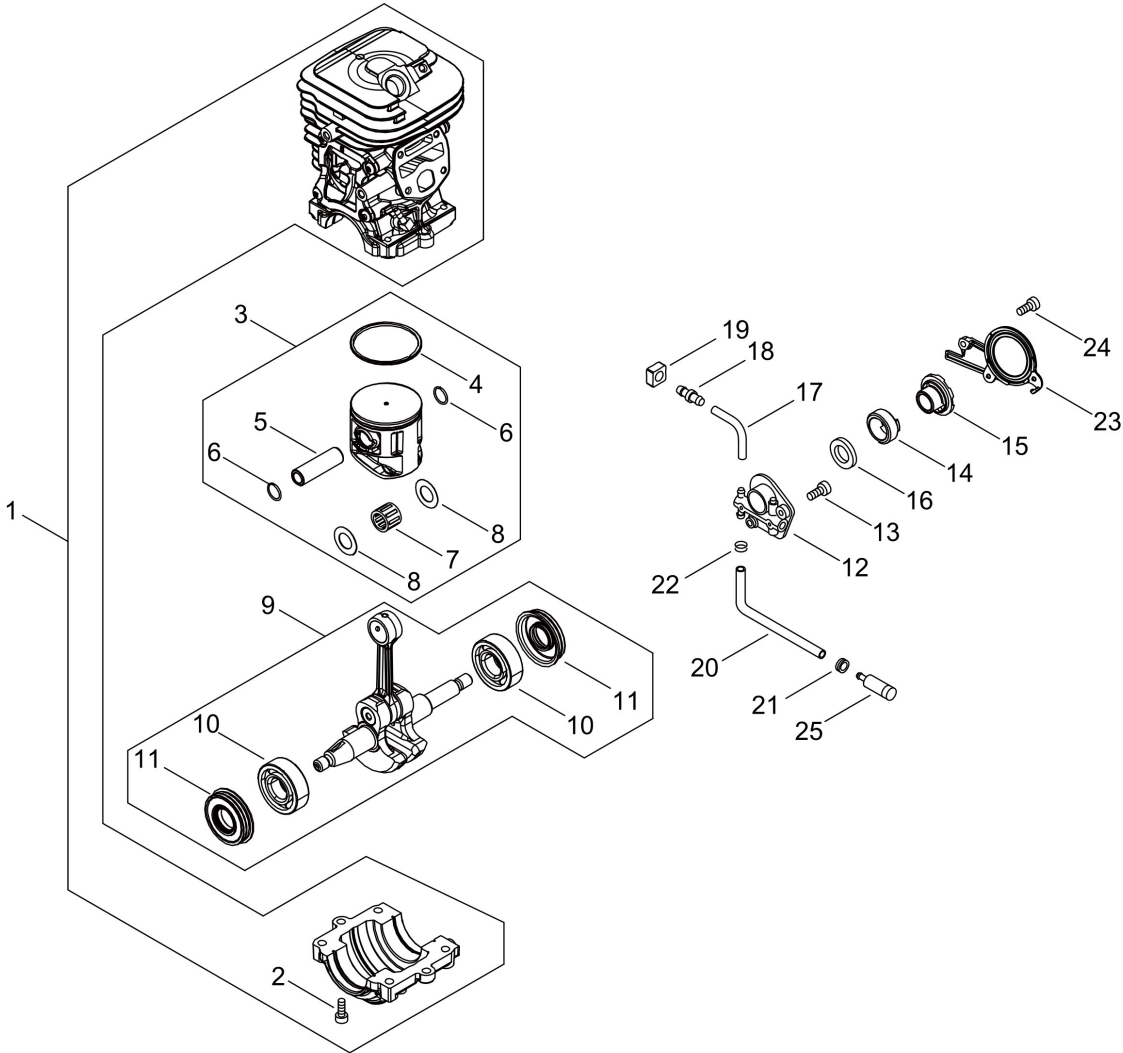
---

10\_ACCESSORIES

---

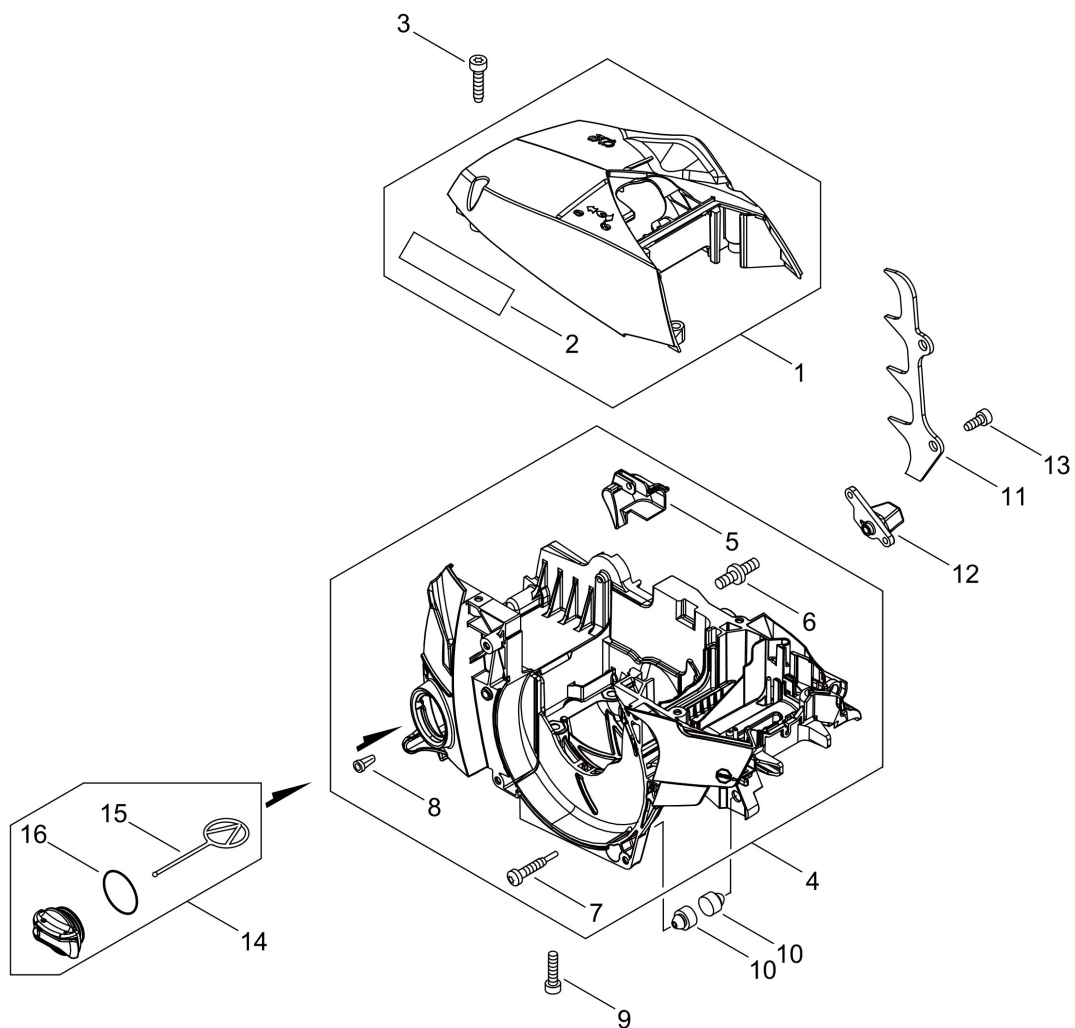
11\_GUIDE\_BAR\_\_CHAIN

---



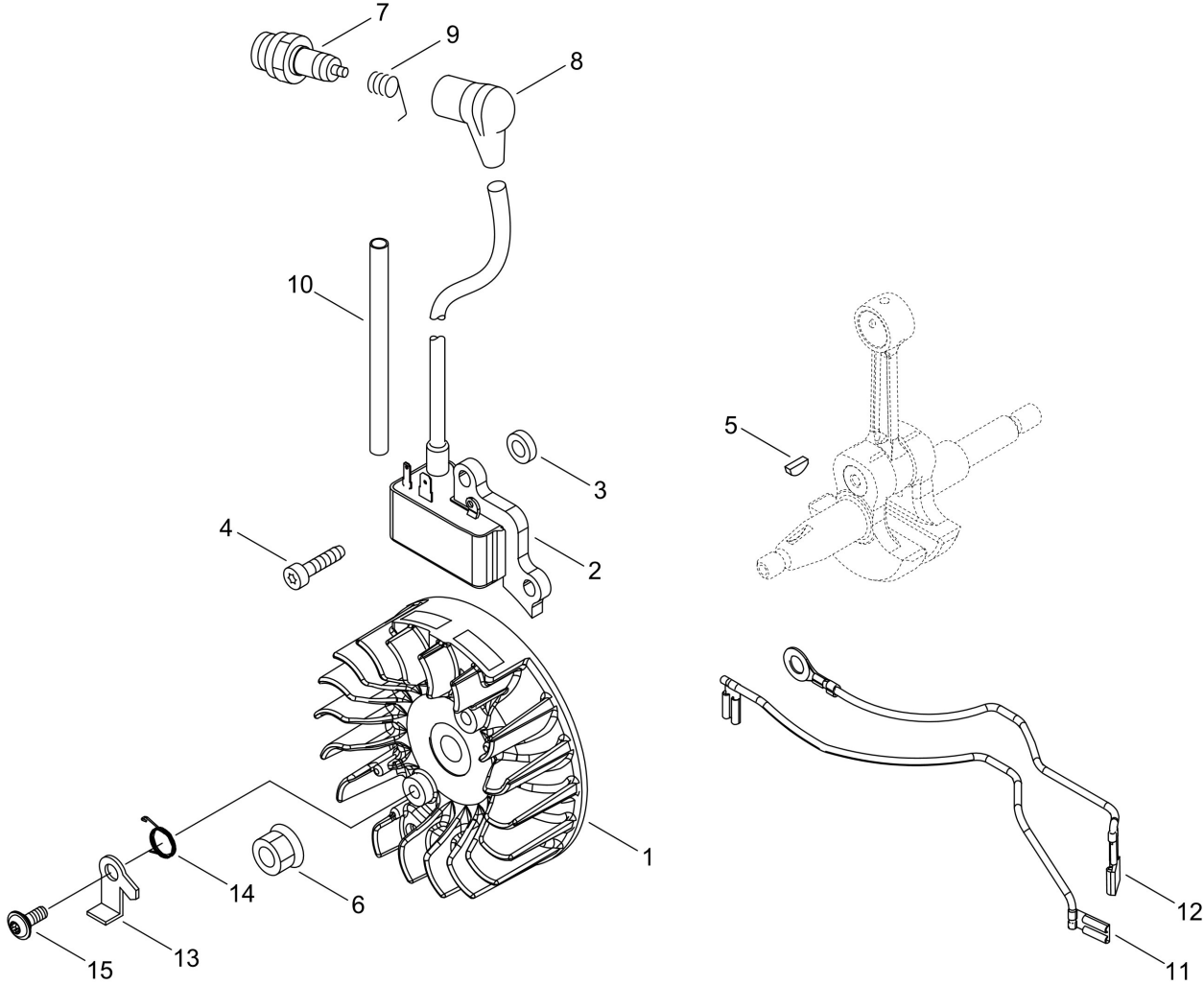
## Illustration 01\_CYLINDER\_\_PISTON\_\_CRANKSHAFT

Nr.	Antal	Kod	Beskrivning	Bilaga	Anmärkningar
1	1	P100-012490	CYLINDER ASY		
2	2	V805-000250	BOLT, TORX 5		TB-5*16 12.9
3	1	P100-012500	PISTON KIT		
4	1	A101-000840	RING, PISTON		45*1.5*1.9
5	1	V609-000090	PIN,ENG 11		7*11*35.8
6	2	V580-000030	RING,END		D 1.0
7	1	V556-000040	BEARING,NEEDLE 11		
8	2	V308-000040	WASHER,CIRCULAR 11		11.2*19.5*0.5
9	1	P100-012510	CRANKSHAFT ASY		
10	2	900810-36202	BEARING, BALL		6202
11	2	V508-000110	SEAL,OIL 15		
12	1	C022-000010	OILER,ASM AUTO		
13	2	V805-000140	BOLT, TORX 5		TB-5*12 10.9
14	1	V652-000030	GEAR,WORM		
15	1	V356-000390	COLLAR,10		
16	1	V308-000030	WASHER,CIRCULAR 11		10.5*17.4*1.8
17	1	V471-005191	PIPE		3*6*49
18	1	V187-000010	NIPPLE		
19	1	A203-000090	SEAL		
20	1	V471-005201	PIPE		3*6*200
21	1	132115-01462	GROMMET		
22	1	V490-001230	CLIP		
23	1	C236-000160	COVER,OILER		
24	1	V804-000000	BOLT, TORX 4		TT-4*12 DG 10.9
25	1	P100-001900	STRAINER, OIL		



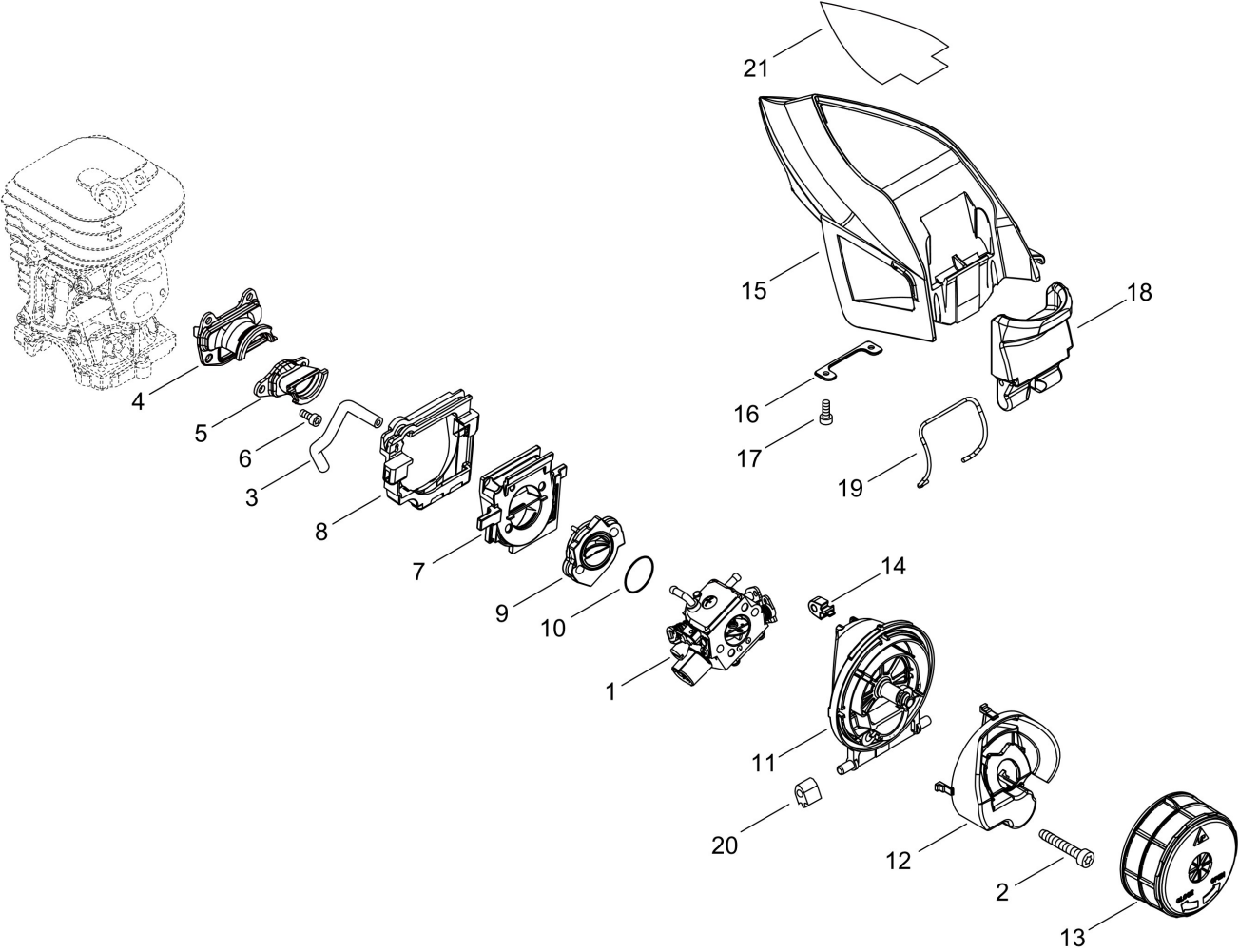
## Illustration 02\_ENGINE\_COVER

Nr.	Antal	Kod	Beskrivning	Bilaga	Anmärkningar
1	1	A160-003360	COVER,CYLINDER		LABEL
2	1	X502-001060	LABEL,ECHO		
3	3	V805-000010	BOLT, TORX 5		TT-5*20 DG 10.9
4	1	P100-012530	COVER ENGINE ASY		
5	1	A161-000370	DUCT, AIR		
6	2	V225-000400	BOLT,STUD 8		
7	1	V203-002380	BOLT,5		STOPPER BOLT
8	1	436114-13930	VALVE, CHECK		
9	4	V805-000270	BOLT, TORX 5		TB-5*40 12.9
10	2	V420-001790	CUSHION		
11	1	C304-000330	SPIKED		
12	1	C310-000150	CATCHER, CHAIN		
13	3	V805-000010	BOLT, TORX 5		TT-5*20 DG 10.9
14	1	P100-004610	CAP,OIL ASY		
15	1	A365-000050	CONNECTOR,CAP		
16	1	900720-20029	O-RING		P-29



## Illustration 03\_MAGNETO

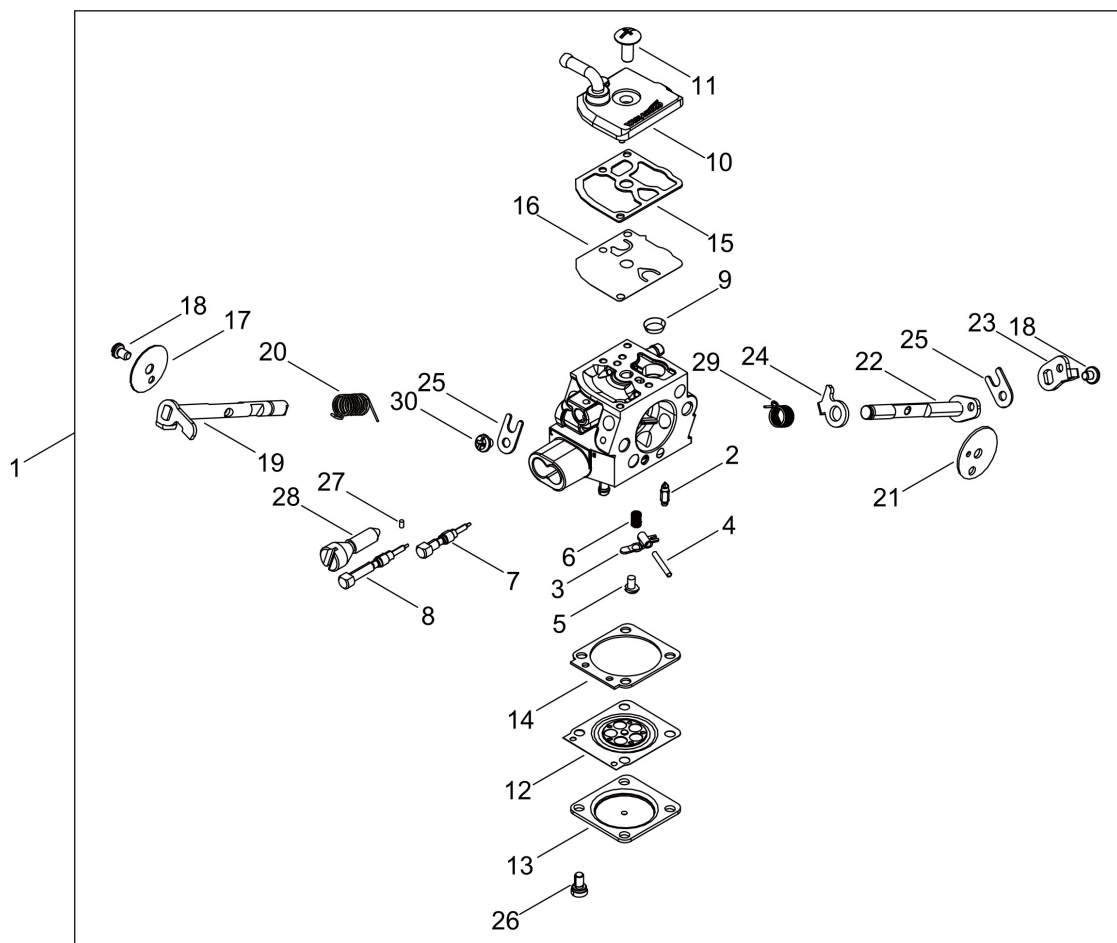
Nr.	Antal	Kod	Beskrivning	Bilaga	Anmärkning
1	1	A409-001330	ROTOR, MAGNETO		ID#*****
2	1	A411-002080	COIL, IGNITION		ID#A10119
3	2	150117-16430	SPACER		
4	2	V805-000210	BOLT, TORX 5		TB-5*20 12.9
5	1	100142-12330	KEY, WOODRUFF		
6	1	900515-00008	NUT, FLANGE		8
7	1	A425-000000	SPARKPLUG		BPMR8Y
8	1	A427-000190	CAP, SPARK PLUG		
9	1	A426-000010	TERMINAL, SPARKPLUG		
10	1	V475-009180	TUBE		SSG-1 6*7.2*100
11	1	V485-002960	LEAD		L155
12	1	V485-002970	LEAD		L153
13	2	A514-000050	PAWL		
14	2	177234-35430	SPRING, RETURN		
15	2	V203-002250	BOLT, 5		





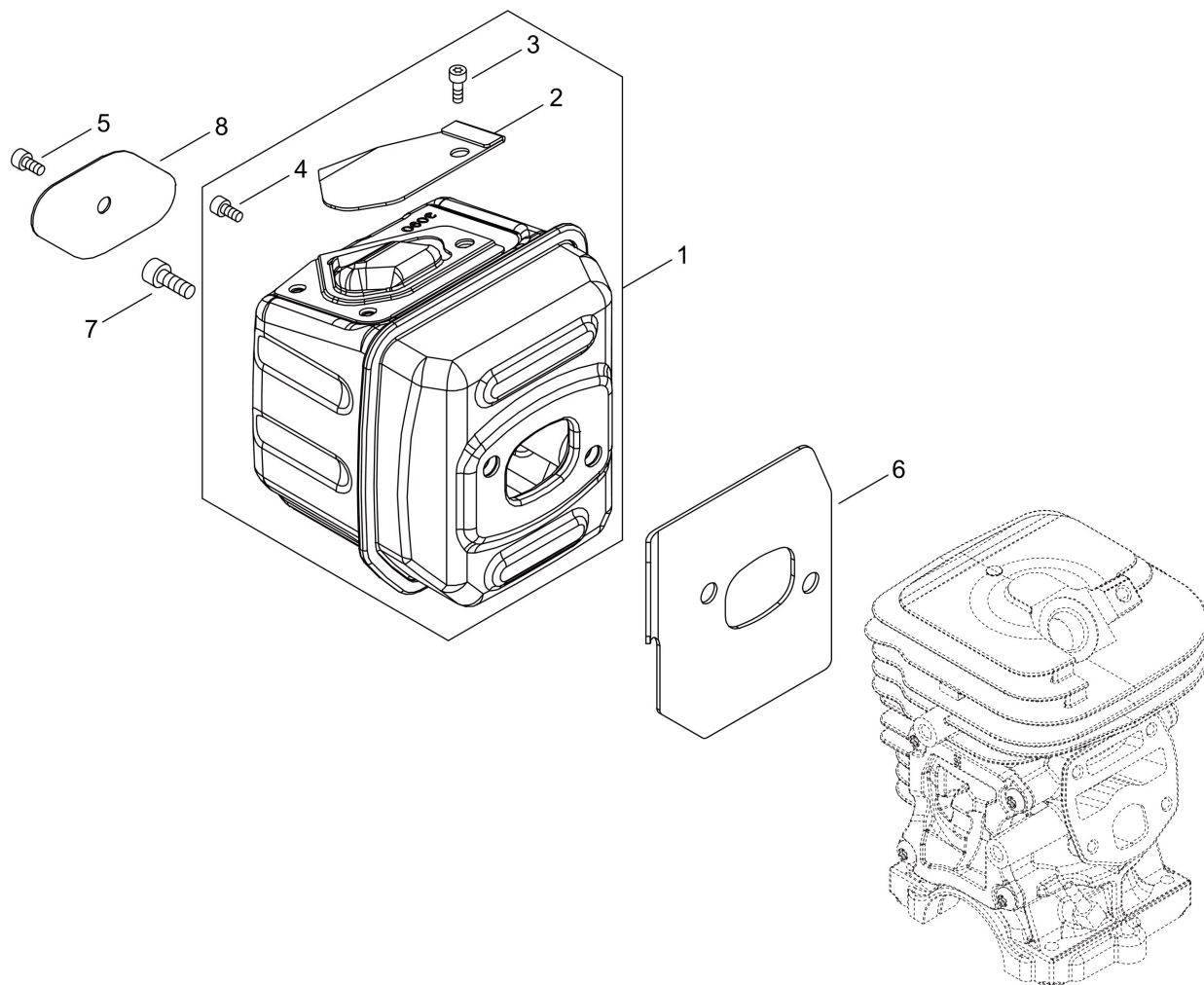
## Illustration 04\_AIR\_CLEANER\_\_CARBURETOR

Nr.	Antal	Kod	Beskrivning	Bilaga	Anmärkningar
1	1	A021-005560	CARBURETOR,DIAPHRAGM		GC-04
2	2	V805-000040	BOLT, TORX 5		TT-5*55 DG 10.9
3	1	V471-000761	PIPE		3*6*90
4	1	A202-000380	BELLOWS, INTAKE		AIR SIDE
5	1	A202-000320	BELLOWS, INTAKE		MIX SIDE
6	4	V804-000050	BOLT, TORX 4		TB-4*12 10.9
7	1	A200-001150	INSULATOR, INTAKE		CYLINDER SIDE
8	1	V420-005250	CUSHION		FOR IN-INSULATOR
9	1	A200-001160	INSULATOR, INTAKE		CARB SIDE
10	1	900724-00022	O-RING		S-22
11	1	A225-000730	CASE,CLEANER		
12	1	A161-000350	DUCT, AIR		BIG
13	1	A226-002150	ELEMENT, AIR FILTER		
14	1	V420-005260	CUSHION		FOR CLEANERCASE
15	1	A232-001940	LID,CLEANER		
16	1	V453-000260	SPRING,FLAT		T1.5 1/2H
17	2	V804-000000	BOLT, TORX 4		TT-4*12 DG 10.9
18	1	A235-000440	KNOB,CLEANER LID		
19	1	V582-000280	RING,SNAP		O.D. 2
20	2	V420-005260	CUSHION		FOR CLEANERCASE
21	1	X503-016340	LABEL,MODEL		CS-4920+JP TECH



## Illustration 05\_CARBURETOR

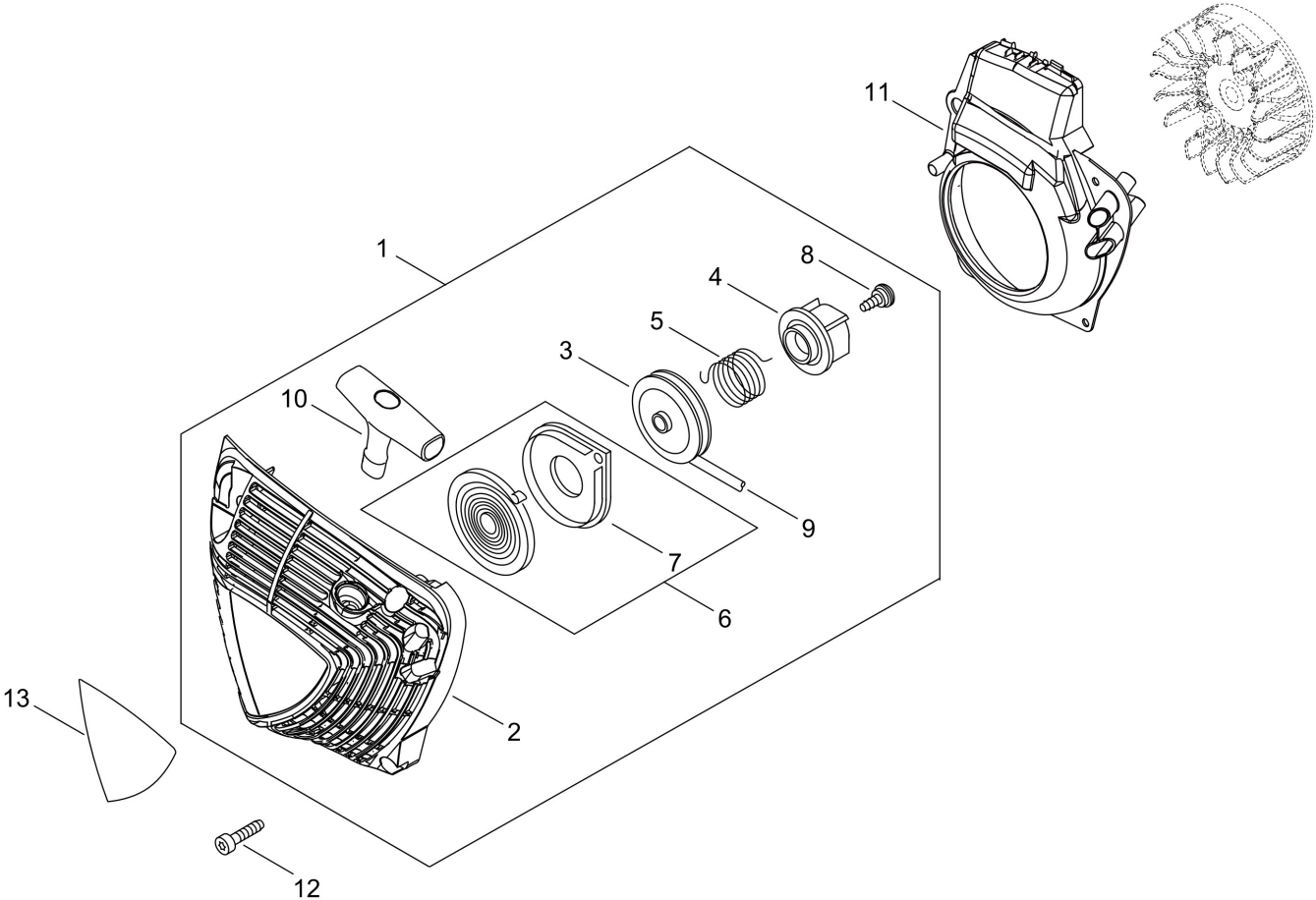
Nr.	Antal	Kod	Beskrivning	Bilaga	Anmärkningar
1	1	A021-005560	CARBURETOR,DIAPHRAGM		GC-04
2	1	P006-000130	VALVE, INLET NEEDLE		
3	1	P006-000120	LEVER, METERING		
4	1	P006-000110	PIN, METERING LEVER		
5	1	P006-001490	SCREW		
6	1	P006-001480	SPRING,METERING		
7	1	P006-001510	NEEDLE		
8	1	P006-001520	NEEDLE		
9	1	P006-000200	SCREEN,INLET		
10	1	P006-001530	PUMP COVER ASY		
11	1	P006-001440	SCREW		
12	1	P006-001430	DIAPHRAGM, METERING		
13	1	P006-001420	COVER,METERING		
14	1	P006-001410	GASKET,METERING		
15	1	P006-001400	GASKET, FUEL PUMP		
16	1	P006-001390	DIAPHRAGM PUMP		
17	1	A957-000000	VALVE,THROTTLE		
18	2	P006-001370	SCREW		
19	1	P006-001550	SHAFT ASY,THROTTLE		
20	1	P006-001350	SPRING, THRT. RETURN		
21	1	P006-001340	VALVE, CHOKE		
22	1	P006-001330	SHAFT, CHOKE ASY		
23	1	P006-001320	LEVER,THROTTLE		
24	1	P006-001310	LEVER		
25	2	P006-001060	CLIP, THROTTLE SHAFT		
26	4	P006-001010	SCREW		M3*6
27	1	P006-000760	PIN, METERING LEVER		
28	1	P006-001300	SCREW		
29	1	P006-001290	SPRING, CHOKE RETURN		
30	3	P006-001260	SCREW		



## Illustration 06\_MUFFLER

---

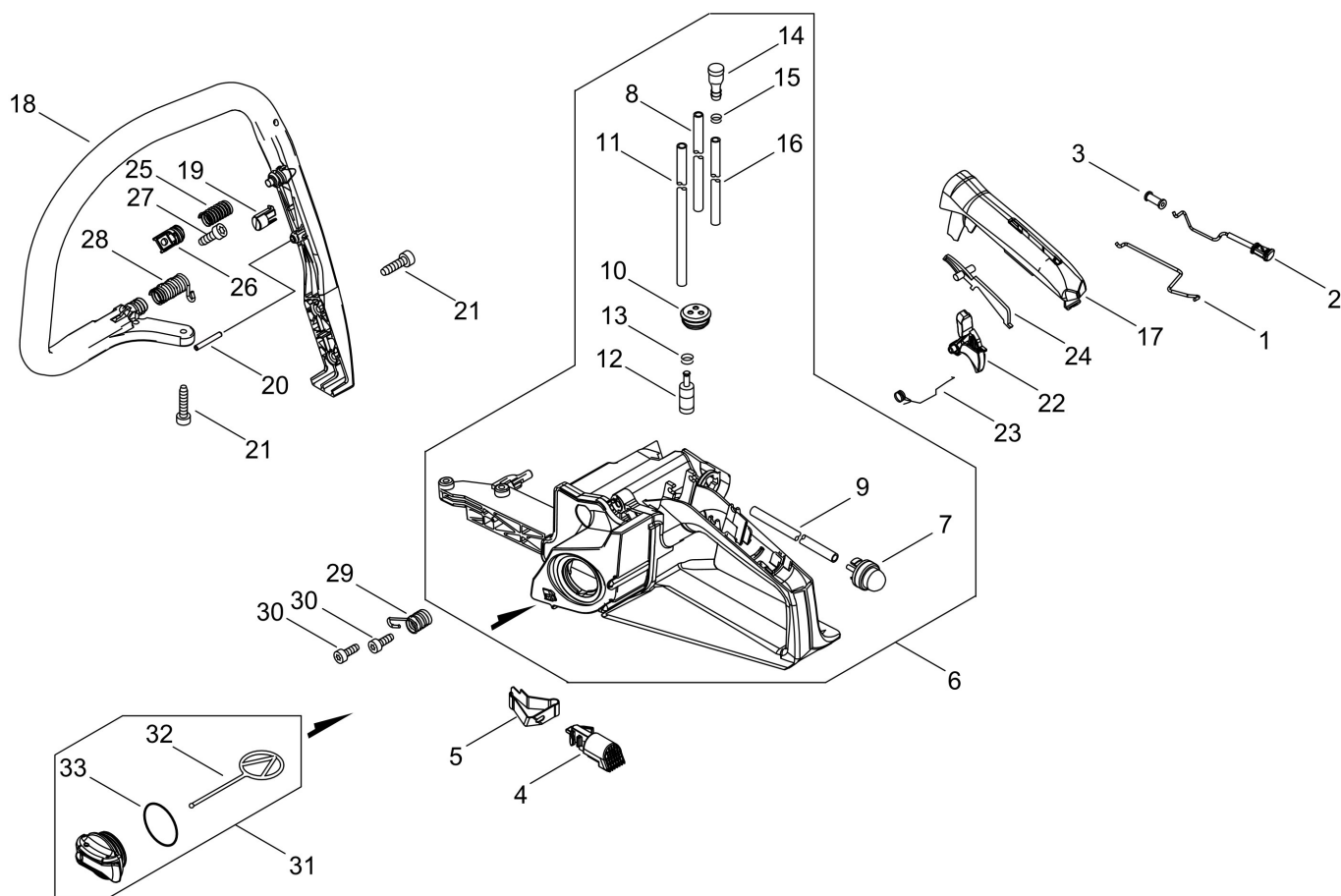
Nr.	Antal	Kod	Beskrivning	Bilaga	Anmärkningar
1	1	P100-012520	MUFFLER ASY		
2	1	A310-000600	SCREEN, ARRESTOR		
3	1	V804-000030	BOLT, TORX 4		TB-4*8 10.9
4	1	V804-000030	BOLT, TORX 4		TB-4*8 10.9
5	1	V804-000030	BOLT, TORX 4		TB-4*8 10.9
6	1	V104-002340	GASKET,EXHAUST		T:1.0
7	2	V805-000250	BOLT, TORX 5		TB-5*16 12.9
8	1	145711-60631	STAY, MUFFLER		



## Illustration 07\_RECOIL\_STARTER

---

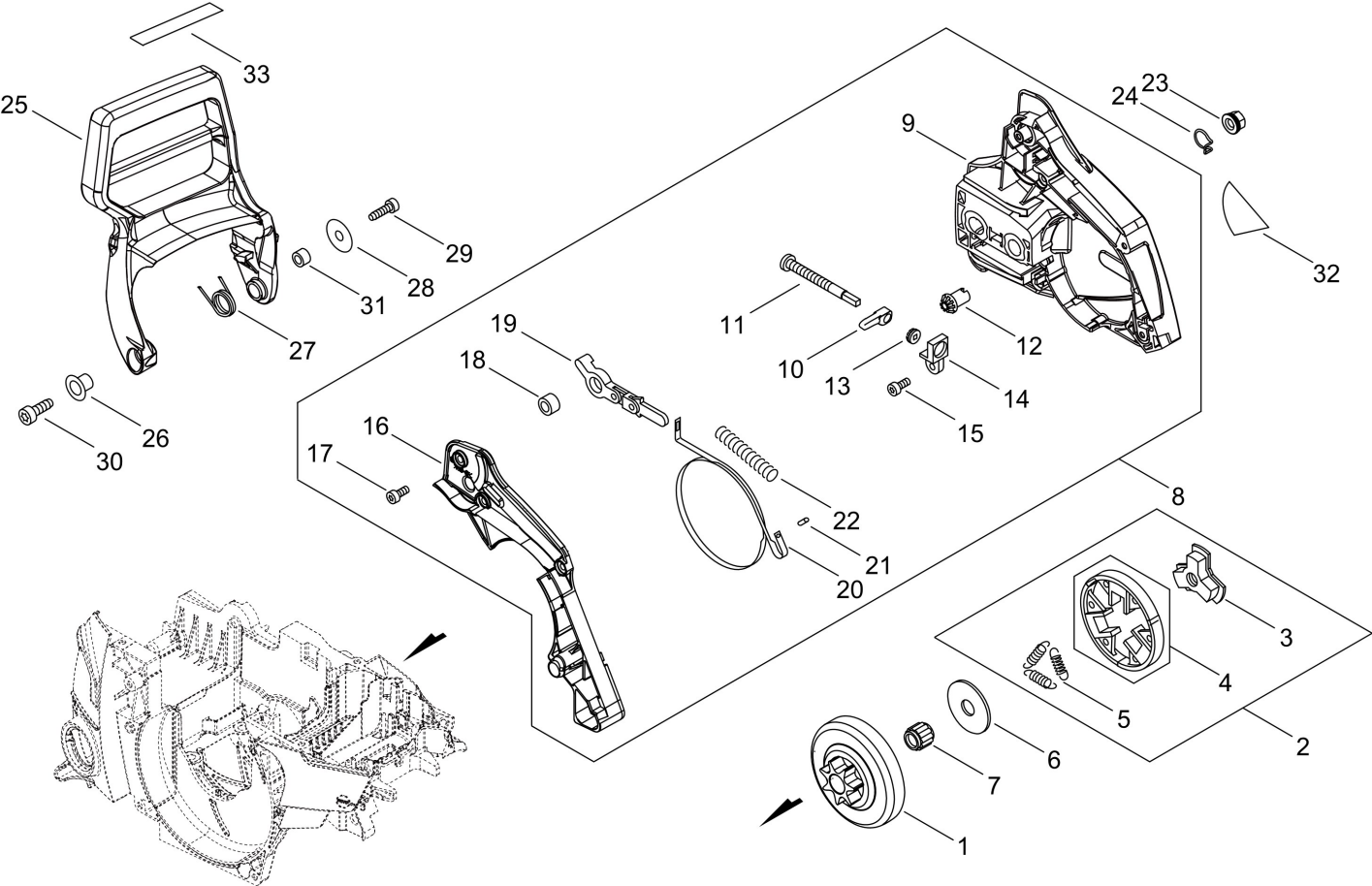
Nr.	Antal	Kod	Beskrivning	Bilaga	Anmärkningar
1	1	A051-003300	STARTER,RECOIL ASY		SI
2	1	P022-050400	STARTER CASE		
3	2	P022-050410	DRUM, STARTER		
4	1	P022-050430	PLATE, CAM		
5	1	P022-050420	SPRING,DAMPER		
6	1	P022-001330	SPRING KIT, REWIND		
7	1	P022-033280	SPRING CASE		
8	1	177236-61830	SCREW		
9	1	P022-050440	ROPE, STARTER		
10	1	P022-050450	GRIP, STARTER		
11	1	A172-003291	COVER,FAN		
12	3	V805-000010	BOLT, TORX 5		TT-5*20 DG 10.9
13	1	X503-016330	LABEL,MODEL		CS-4920





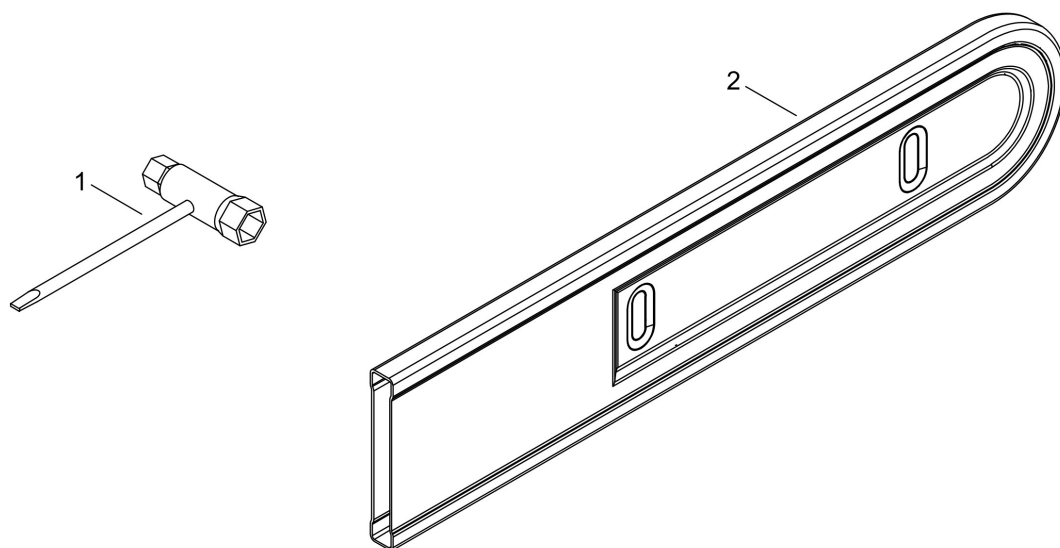
## Illustration 08\_HANDLE

Nr.	Antal	Kod	Beskrivning	Bilaga	Anmärkningar
1	1	C454-000570	ROD, THROTTLE		
2	1	A241-000370	KNOB, CHOKE		
3	1	178810-14535	GROMMET		
4	1	A444-000120	KNOB, SWITCH		
5	1	V486-000540	TERMINAL,LEAD		
6	1	P100-012540	HANDLE ASY, REAR		
7	1	A035-000040	PUMP, FUEL		188-554-A
8	1	V471-001291	PIPE		2.4*5*75
9	1	V471-001241	PIPE		2.4*5*140
10	1	132115-55931	GROMMET, FUEL		3 f5
11	1	V471-005181	PIPE		3*5*300
12	1	A369-000420	STRAINER, FUEL		ES-16499
13	1	V490-001240	CLIP		
14	1	131300-56431	VENT ASSEMBLY, FUEL		
15	1	V490-001230	CLIP		
16	1	V471-005191	PIPE		3*6*49
17	1	C411-000230	LID,HANDLE		
18	1	C400-001631	HANDLE, FRONT		GAI
19	1	V420-005270	CUSHION		FOR FRONT HANDLE
20	1	900330-40298	ROLLER		4*29.8
21	4	V805-000010	BOLT, TORX 5		TT-5*20 DG 10.9
22	1	C450-001041	CONTROL, THROTTLE		
23	1	V452-000260	SPRING,TORSION		
24	1	178090-37930	LOCKOUT, T. CONTROL		
25	1	V450-002200	SPRING,COMPRESSION		CENTER
26	1	V456-000240	HOLDER,SPRING		
27	1	V805-000140	BOLT, TORX 5		TB-5*12 10.9
28	1	V450-002180	SPRING,COMPRESSION		FRONT
29	1	V450-002190	SPRING,COMPRESSION		REAR TYPE2-A
30	2	V805-000240	BOLT, TORX 5		TT-5*12 DG 10.9
31	1	P100-004640	CAP,FUEL ASY		
32	1	A365-000050	CONNECTOR,CAP		
33	1	900720-20029	O-RING		P-29



## Illustration 09\_CHAIN\_BRAKE

Nr.	Antal	Kod	Beskrivning	Bilaga	Anmärkning
1	1	A556-000481	DRUM, CLUTCH		
2	1	A056-000840	CLUTCH ASY		
3	1	A552-000470	HUB, CLUTCH		
4	1	P021-007051	CLUTCH SHOE SET		
5	3	V451-000500	SPRING,TENSION		
6	1	175019-39430	PLATE, CLUTCH		
7	1	V555-000170	BEARING,NEEDLE 10		8E-KV10*13*12.8
8	1	P100-004653	GUARD, SPROCKET ASY		
9	1	C300-001162	GUARD, SPROCKET		
10	1	C309-000070	TENSIONER, CHAIN		
11	1	V203-000110	BOLT,5		
12	1	V651-001040	GEAR,BEVEL		
13	1	V651-001050	GEAR,BEVEL		
14	1	V355-000140	COLLAR,8		
15	1	V804-000010	BOLT, TORX 4		TT-4*16 DG 10.9
16	1	C345-000651	COVER,BRAKE		
17	4	V804-000010	BOLT, TORX 4		TT-4*16 DG 10.9
18	1	433116-35430	SPACER 8		8*12*9
19	1	C334-000100	CONNECTOR, BRAKE		
20	1	C328-000110	BAND, BRAKE		
21	1	900330-30120	ROLLER		3*11.8
22	1	V450-000070	SPRING,COMPRESSION		
23	2	V265-000550	NUT,8		
24	2	C649-000420	HOOK		
25	1	C320-000531	LEVER, BRAKE		
26	1	V356-000440	COLLAR,10		11.2*16.2*T0.6
27	1	V452-001281	SPRING,TORSION		
28	1	177214-03930	WASHER		
29	1	V804-000010	BOLT, TORX 4		TT-4*16 DG 10.9
30	1	V805-000010	BOLT, TORX 5		TT-5*20 DG 10.9
31	1	433116-35430	SPACER 8		8*12*9
32	1	X502-001050	LABEL,ECHO		D SIDE
33	1	X505-011830	LABEL,CAUTION		4SYMBOL+117DB





## Illustration 10\_ACCESSORIES

---

Nr.	Antal	Kod	Beskrivning	Bilaga	Anmärkning
1	1	X602-000080	TOOL,WRENCH		13*19 L180
2	1	X490-000490	SCABBARD,CHAIN		

Illustration 11\_GUIDE\_BAR\_CHAIN

Pitch ピッチ  (inch) (mm)	Gauge ゲージ  (inch) (mm)	Length 長さ  (cm)	Guide Bar ガイドバー		Saw Chain ソーチェン		Hard Nose  ハード ノーズ	Sprocket Nose  スプロケット ノーズ
			Key №	Type 形式	Key №	Type 形式		
.325 8.26	0.050 1.27	33	A1	B33S95-56ML- EB	A2	95TXL-56E		●
.325 8.26	0.050 1.27	38	B1	B38S95-64ML- EB	B2	95TXL-64E		●
.325 8.26	0.050 1.27	45	C1	B45S95-72ML- EB	C2	95TXL-72E		●
.325 8.26	0.050 1.27	50	D1	Y50S20-80AL- ED	D2	95TXL-80E		●

## Illustration 11\_GUIDE\_BAR\_\_CHAIN

---

Nr.	Antal	Kod	Beskrivning	Bilaga	Anmärkning
A1	1	X122-000540	BAR,GUIDE 30		B33S95-56ML- EB
A2	1	X242-000010	CHAIN,SAW		95TXL-56E
B1	1	X123-000760	BAR,GUIDE 35		B38S95-64ML- EB
B2	1	X243-000020	CHAIN,SAW		95TXL-64E
C1	1	X125-000510	BAR,GUIDE 45		B45S95-72ML- EB
C2	1	X245-000060	CHAIN,SAW		95TXL-72E
D1	1	X126-000350	BAR,GUIDE 50		Y50S20-80AL- ED
D2	1	X246-000140	CHAIN,SAW		95TXL-80E