

DCS-2500



Dokumenten

01_MOTOR

02_CHAIN_BRAKE

03_ACCESSORIES

04_OILER

05_GUIDE_BAR__CHAIN

06_OPTION_PARTS

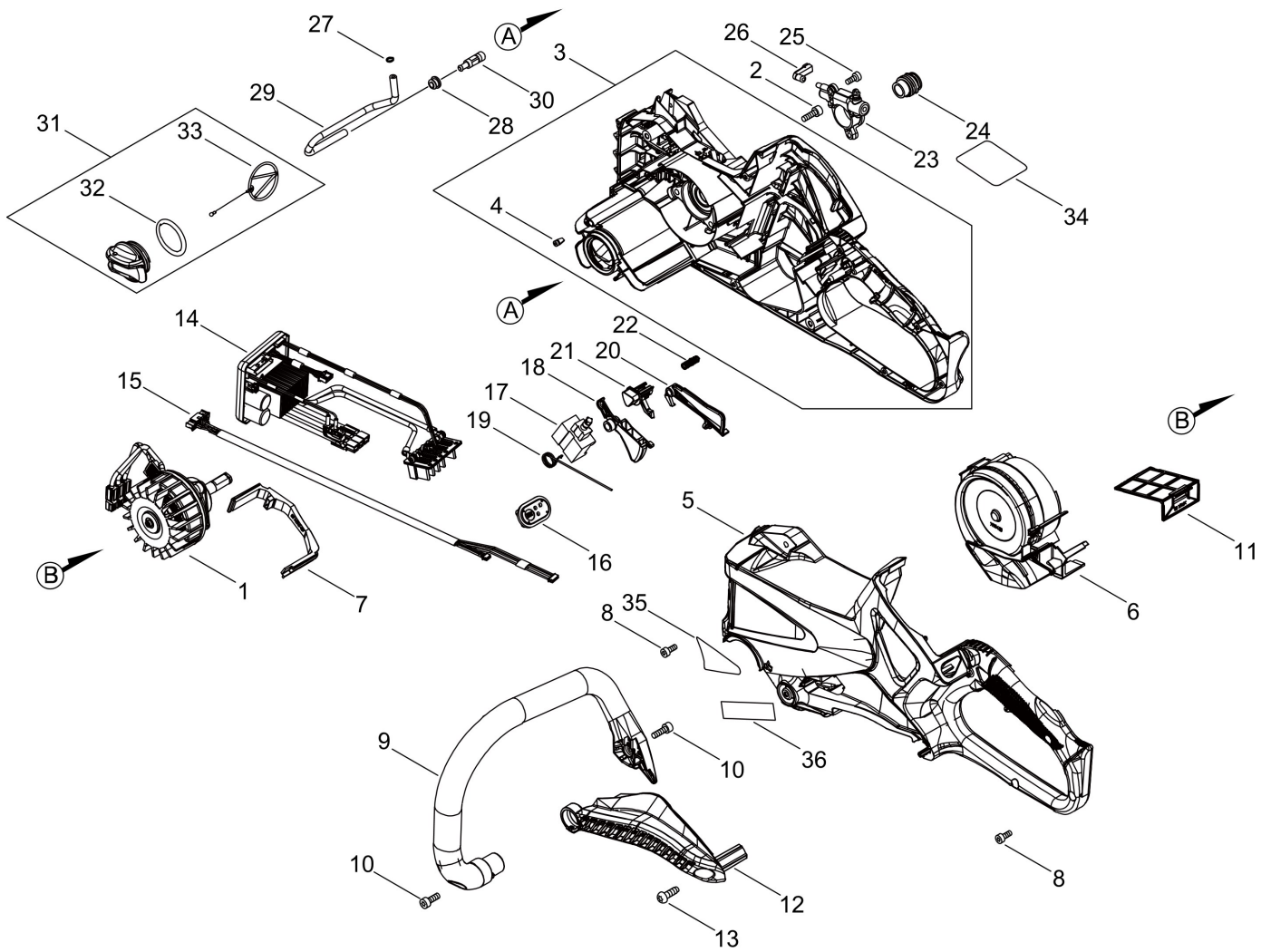


Illustration 01_MOTOR

| Nr. | Antal | Kod | Beskrivning | Bilaga | Anmärknningar |
|---------|-------|--------------|----------------------------|--------|-----------------|
| Key No. | Qty | Part No. | Description | | Standard B |
| 1 | 1 | A054-000300 | MOTOR,ASM | | |
| 2 | 3 | V805-000250 | BOLT, TORX 5 | | TB-5*16 12.9 |
| 3 | 1 | P100-012061 | COVER,MOTOR ASY | | |
| 4 | 1 | 436114-13930 | VALVE, CHECK | | |
| 5 | 1 | A539-000520 | COVER,MOTOR | | F SIDE |
| 6 | 1 | P100-013370 | CASE,FAN ASY C81535019734- | | |
| 7 | 1 | A539-000530 | COVER,MOTOR | | SMALL COVER |
| 8 | 7 | V804-000160 | "BOLT, TORX 4" | | TT-P 4*12 |
| 9 | 1 | C400-001800 | HANDLE, FRONT | | |
| 10 | 2 | V805-000000 | BOLT, TORX 5 | | TT-5*16 DG 10.9 |
| 11 | 1 | A226-002360 | ELEMENT, AIR FILTER | | PA6-MESH #30 |
| 12 | 1 | C401-000370 | PIECE,HANDLE | | |
| 13 | 1 | V805-000000 | BOLT, TORX 5 | | TT-5*16 DG 10.9 |
| 14 | 1 | A047-000610 | BOARD,ASM CONTROL | | |
| 15 | 1 | C130-001200 | HARNESS,WIRE | | |
| 16 | 1 | A047-000430 | SWITCH -C81535019733 | | |
| 17 | 1 | G334-001830 | SWITCH | | G33407S0080 |
| 18 | 1 | J361-000790 | LEVER | | |
| 19 | 1 | V452-001650 | SPRING,TORSION | | |
| 20 | 1 | C490-000050 | LOCKOUT C81535019734- | | GRIP SENSOR |
| 21 | 1 | C490-000061 | LOCKOUT | | |
| 22 | 1 | V450-002250 | SPRING,COMPRESSION | | |
| 23 | 1 | C022-000211 | AUTO-OILER ASSEMBLY | | OP-27C(B) |
| 24 | 1 | V652-000290 | GEAR,WORM | | |
| 25 | 1 | V804-000160 | "BOLT, TORX 4" | | TT-P 4*12 |
| 26 | 1 | V470-002400 | PIPE | | |
| 27 | 1 | V490-001230 | CLIP | | |
| 28 | 1 | 132115-01462 | GROMMET | | |
| 29 | 1 | V471-003311 | PIPE | | 3*6*200 |
| 30 | 1 | P021-050140 | STRAINER, OIL ASY | | |
| 31 | 1 | P100-004610 | CAP,OIL ASY | | |
| 32 | 1 | 900720-20029 | O-RING | | P-29 |
| 33 | 1 | A365-000050 | CONNECTOR,CAP | | |
| 34 | 1 | X505-011800 | LABEL,CAUTION | | |
| 35 | 1 | X543-006160 | LABEL,MODEL | | DCS-2500 |
| 36 | 1 | X502-000390 | LABEL,ECHO | | ECHO 72.5*15 |

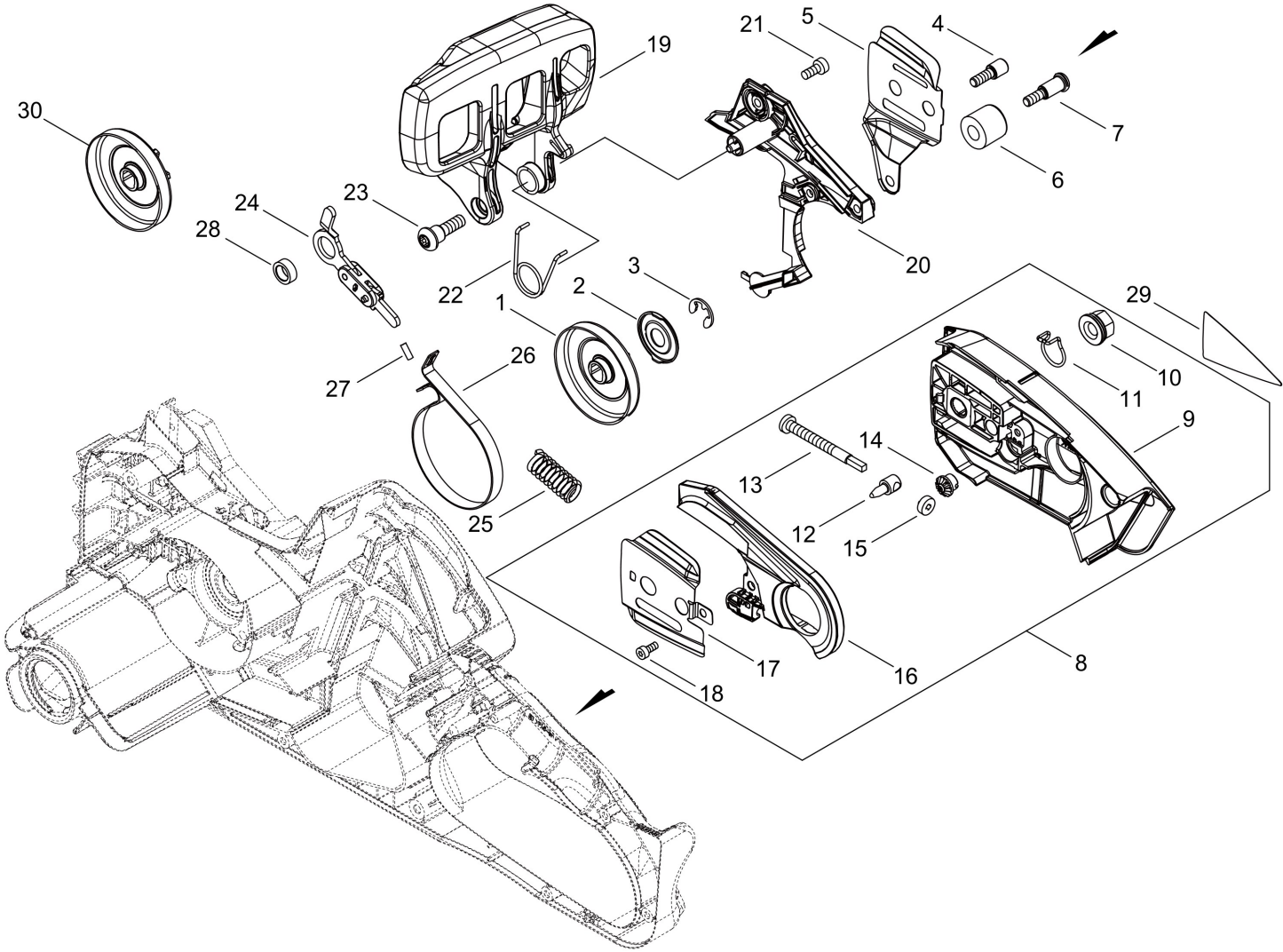
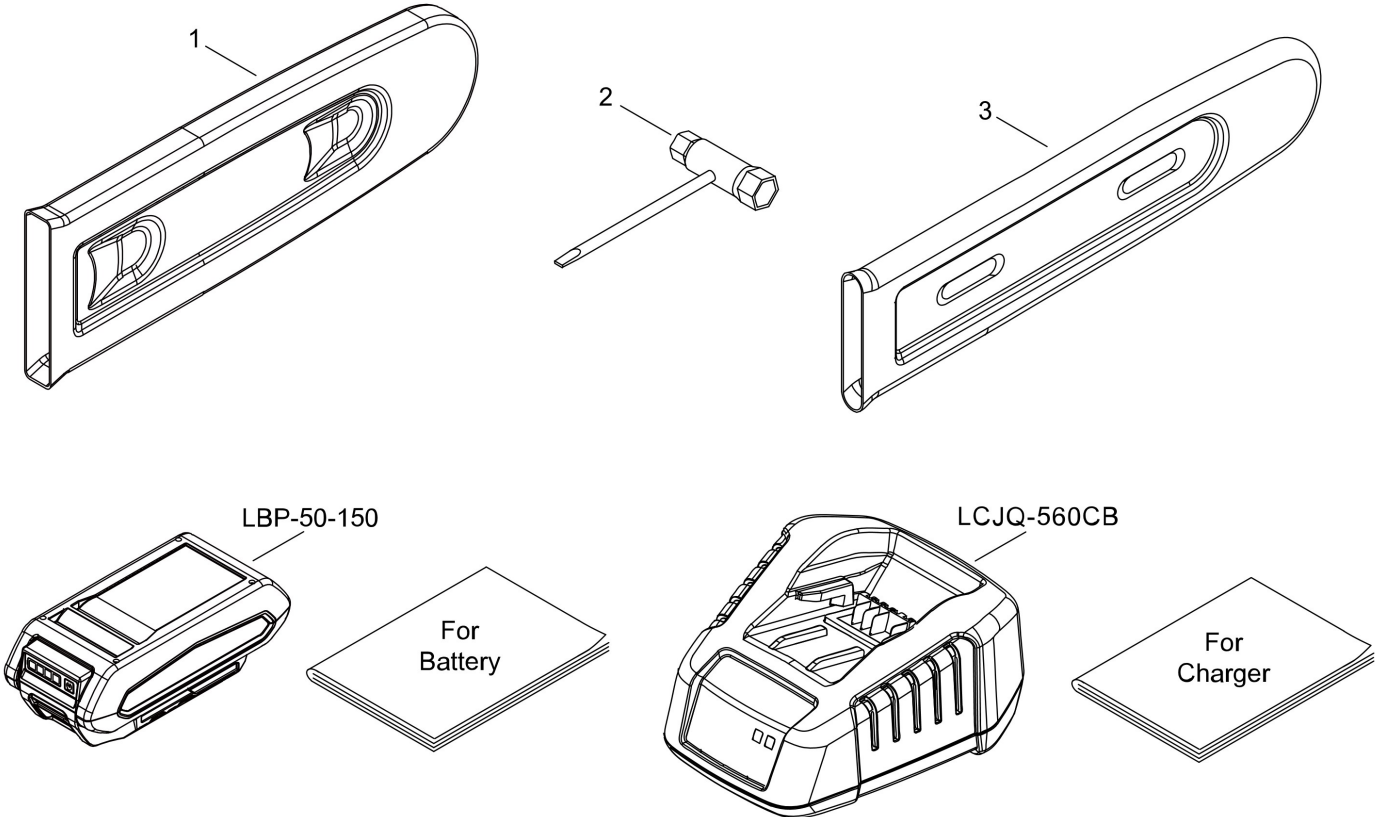


Illustration 02_CHAIN_BRAKE

| Nr. | Antal | Kod | Beskrivning | Bilaga | Anmärkningar |
|-----|-------|-------------|-------------------------------------|--------|--------------|
| 1 | 1 | A556-001910 | "DRUM, CLUTCH" | | |
| 2 | 1 | V307-000620 | "WASHER,CIRCULAR 10" | | |
| 3 | 1 | V583-000440 | RING | | |
| 4 | 1 | V203-002280 | BOLT,5 | | |
| 5 | 1 | C305-000511 | PLATE,SPROCKET GUARD | | |
| 6 | 1 | C310-000140 | CATCHER, CHAIN | | |
| 7 | 1 | V203-002260 | BOLT,5 | | |
| 8 | 1 | P100-009532 | GUARD, SPROCKET ASY | | |
| 9 | 1 | C300-001222 | GUARD, SPROCKET | | |
| 10 | 1 | V265-000550 | NUT,8 | | |
| 11 | 1 | C649-000420 | HOOK | | |
| 12 | 1 | C309-000110 | TENSIONER,CHAIN | | |
| 13 | 1 | V203-000041 | BOLT,5 | | |
| 14 | 1 | V651-001060 | GEAR,BEVEL | | |
| 15 | 1 | V651-000011 | GEAR,BEVEL | | |
| 16 | 1 | C301-000020 | "PIECE,SPROCKET GUARD 35003526-" | | |
| 17 | 1 | C305-000521 | PLATE,SPROCKET GUARD | | |
| 18 | 1 | V804-000160 | "BOLT, TORX 4" | | |
| 19 | 1 | C320-000630 | LEVER, BRAKE | | |
| 20 | 1 | C345-000791 | COVER,BRAKE | | |
| 21 | 3 | V804-000160 | "BOLT, TORX 4" | | |
| 22 | 1 | V452-001940 | "SPRING,TORSION" | | |
| 23 | 1 | V203-002270 | BOLT,5 | | |
| 24 | 1 | C334-000340 | CONNECTOR, BRAKE | | |
| 25 | 1 | V450-002400 | "SPRING,COMPRESSION" | | |
| 26 | 1 | C328-000390 | BAND, BRAKE | | |
| 27 | 1 | 93050-30080 | ROLLER | | |
| 28 | 1 | V355-000860 | COLLAR,8 | | |
| 29 | 1 | X502-001230 | "LABEL,ECHO" | | |
| 30 | 1 | A556-001960 | DRUM, CLUTCH | | |



* Batteries and charger are handle as accessories instead of spare parts.
Please place an order of batteries and charger at the same time as unit order.

Illustration 03_ACCESSORIES

| Nr. | Antal | Kod | Beskrivning | Bilaga | Anmärkningar |
|---------|-------|-------------|----------------|--------|--------------|
| Key No. | Qty | Part No. | Description | | Standard B |
| 1 | 1 | X490-000840 | SCABBARD,CHAIN | | 260 |
| 2 | 1 | X602-000080 | TOOL,WRENCH | | 13*19 L180 |
| 3 | 1 | X490-000920 | SCABBARD,CHAIN | | |

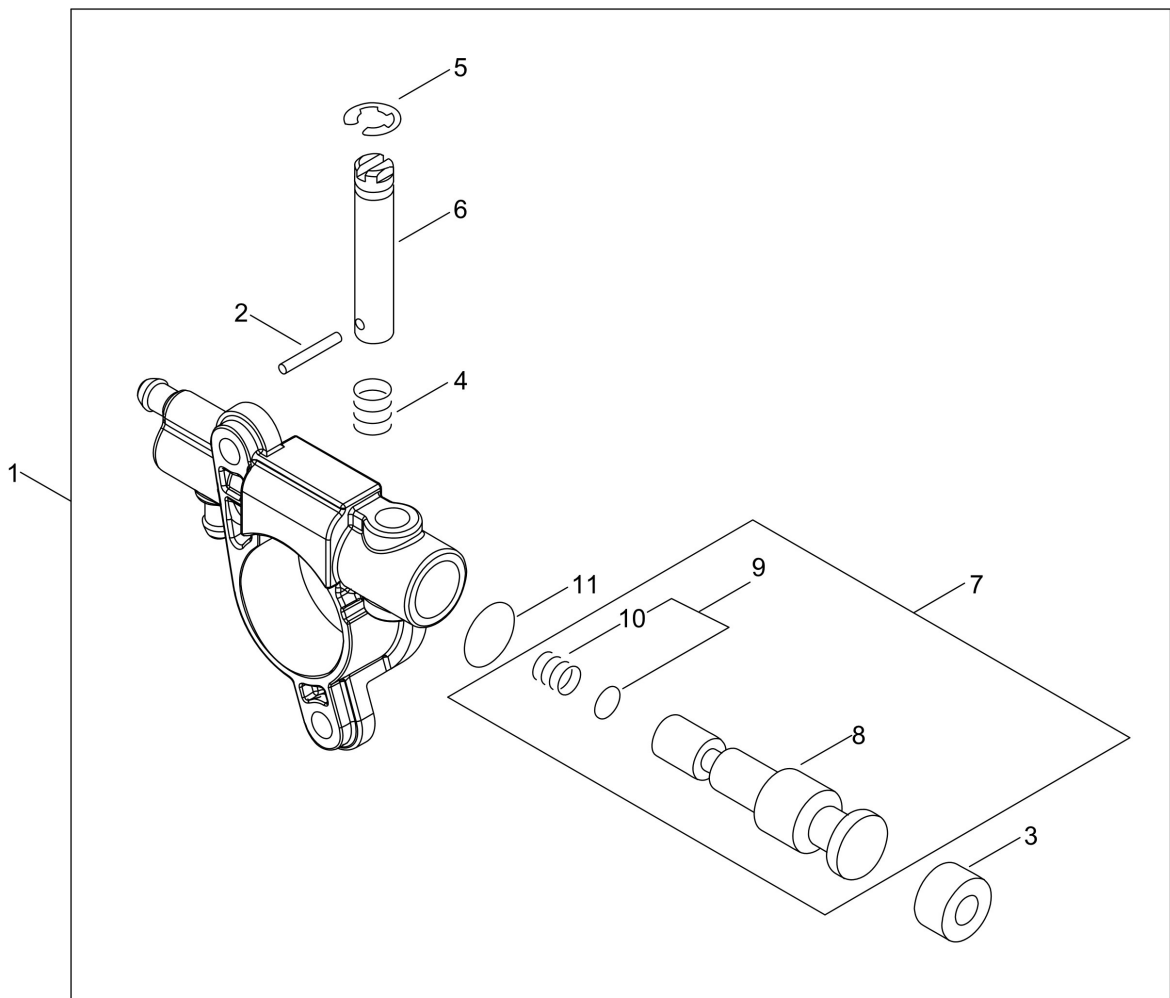


Illustration 04_OILER

| Nr. | Antal | Kod | Beskrivning | Bilaga | Anmärkning |
|---------|-------|--------------|---------------------|--------|------------|
| Key No. | Qty | Part No. | Description | | Standard B |
| 1 | 1 | C022-000211 | AUTO-OILER ASSEMBLY | | OP-27C(B) |
| 2 | 1 | P003-002180 | PIN, SPRING | | |
| 3 | 1 | 437062-38330 | CAP, OIL PUMP | | |
| 4 | 1 | 437015-37330 | SPRING | | |
| 5 | 1 | 123127-15030 | RING | | |
| 6 | 1 | P003-005430 | NEEDLE-ADJ | | |
| 7 | 1 | P200-000390 | PLUNGER SHAFT KIT | | |
| 8 | 1 | P003-005990 | SHAFT ASY-PLUNGER | | |
| 9 | 1 | P200-000490 | SPRING WASHER KIT | | |
| 10 | 1 | P003-006000 | SPRING | | |
| 11 | 1 | P003-005420 | WASHER | | |

Illustration 05_GUIDE_BAR_CHAIN



| Pitch ピッチ (inch) (mm) | Gauge ゲージ (inch) (mm) | Length 長さ (cm) | Guide Bar ガイドバー | | Saw Chain ソーチェン | | Hard Nose ハード ノーズ | Sprocket Nose スプロケット ノーズ | File Tool ファイル ツール | Grip グリップ |
|--------------------------------|--------------------------------|----------------------|--------------------|-----------------|--------------------|------------|---|---|-----------------------------|--------------|
| | | | Key № | Type 形式 | Key № | Type 形式 |  |  | | |
| 1/4 6.35 | 0.043 1.09 | 25 | A1 | C25SA4-60CL- ED | A2 | A4S-60E | | ● | 3 | 4 |
| 1/4 6.35 | 0.043 1.09 | 30 | B1 | C30SA4-68CL- ED | B2 | A4S-68E | | ● | | |
| 1/4 6.35 | 0.043 1.09 | 20 | C1 | C20HA4-52CL- ED | C2 | A4S-52E | ● | | | |
| 1/4 6.35 | 0.043 1.09 | 25 | D1 | C25HA4-60CL- ED | D2 | A4S-60E | ● | | | |
| 1/4 6.35 | 0.043 1.09 | 30 | E1 | C30HA4-68CL- ED | E2 | A4S-68E | ● | | | |
| .325 8.26 | 0.043 1.09 | 25 | F1 | C25S80-46MA- EB | F2 | 80TXL-46E | | ● | 5 | 6 |
| .325 8.26 | 0.043 1.09 | 30 | G1 | C30S80-51MA- EB | G2 | 80TXL-51E | | ● | | |

Illustration 05_GUIDE_BAR__CHAIN

| Nr. | Antal | Kod | Beskrivning | Bilaga | Anmärknningar |
|---------|-------|--------------|------------------|--------|-----------------|
| Key No. | Qty | Part No. | Description | | Standard B |
| A1 | 1 | X121-000250 | BAR,GUIDE 25 | | C25SA4-60CL- ED |
| A2 | 1 | X201-000020 | CHAIN,SAW | | A4S-60E ECHO |
| B1 | 1 | X122-000440 | BAR,GUIDE 30 | | C30SA4-68CL- ED |
| B2 | 1 | X202-000030 | CHAIN,SAW | | A4S-68E |
| C1 | 1 | X100-000070 | BAR,GUIDE 20 | | C20HA4-52CL- ED |
| C2 | 1 | X200-000020 | CHAIN,SAW | | A4S-52E ECHO |
| D1 | 1 | X101-000210 | BAR,GUIDE 25 | | C25HA4-60CL- ED |
| D2 | 1 | X201-000020 | CHAIN,SAW | | A4S-60E ECHO |
| E1 | 1 | X102-000110 | BAR,GUIDE 30 | | C30HA4-68CL- ED |
| E2 | 1 | X202-000030 | CHAIN,SAW | | A4S-68E |
| F1 | 1 | X121-000300 | BAR,GUIDE 25 | | C25S80-46MA- EB |
| F2 | 1 | X211-000000 | CHAIN,SAW | | 80TXL-46E |
| G1 | 1 | X122-000570 | BAR,GUIDE 30 | | C30S80-51MA- EB |
| G2 | 1 | X212-000000 | CHAIN,SAW | | 80TXL-51E |
| 3 | 1 | X620-000080 | TOOL,FILE | | 3.5*246 |
| 4 | 1 | X622-000000 | GRIP | | D3.5-4.0 |
| 5 | 1 | 897510-03931 | FILE, ROUND 5/32 | | 5/32(4.0) 26537 |
| 6 | 1 | 897512-35630 | GRIP, FILE | | |

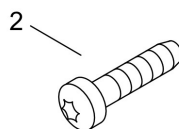
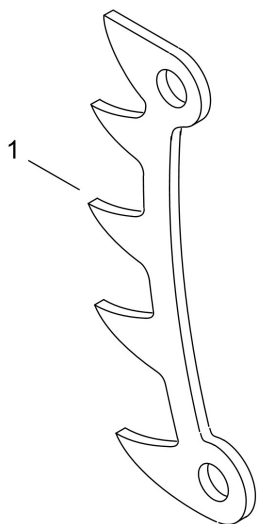


Illustration 06_OPTION_PARTS

| Nr. | Antal | Kod | Beskrivning | Bilaga | Anmärkning |
|---------|-------|-------------|--------------|--------|-----------------|
| Key No. | Qty | Part No. | Description | | Standard B |
| 1 | 1 | C304-000000 | SPIKE | | |
| 2 | 2 | V805-000240 | BOLT, TORX 5 | | TT-5*12 DG 10.9 |