

DCS-2500T



Dokumenten

tree claw

Chain brake, bar cover from S.Nr. 35003526

Chain brake, bar cover up to S.Nr. 35003525

engine, housing

oil pump

cutting set

Accessories

01_MOTOR

02_CHAIN_BRAKE

03_ACCESSORIES

04_OILER

05_GUIDE_BAR_CHAIN

06_OPTION_PARTS

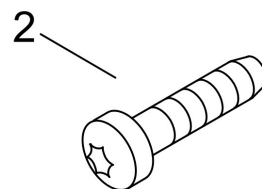
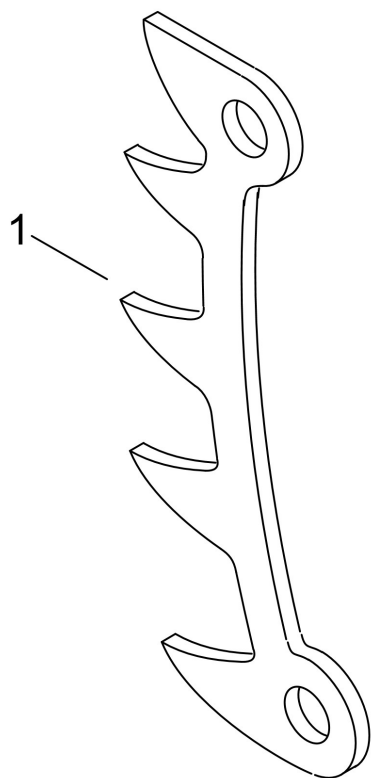


Illustration tree claw

Nr.	Antal	Kod	Beskrivning	Bilaga	Anmärkningar
1	1	C304000000	SPIKE		
2	2	V805000240	BOLT, TORX 5		

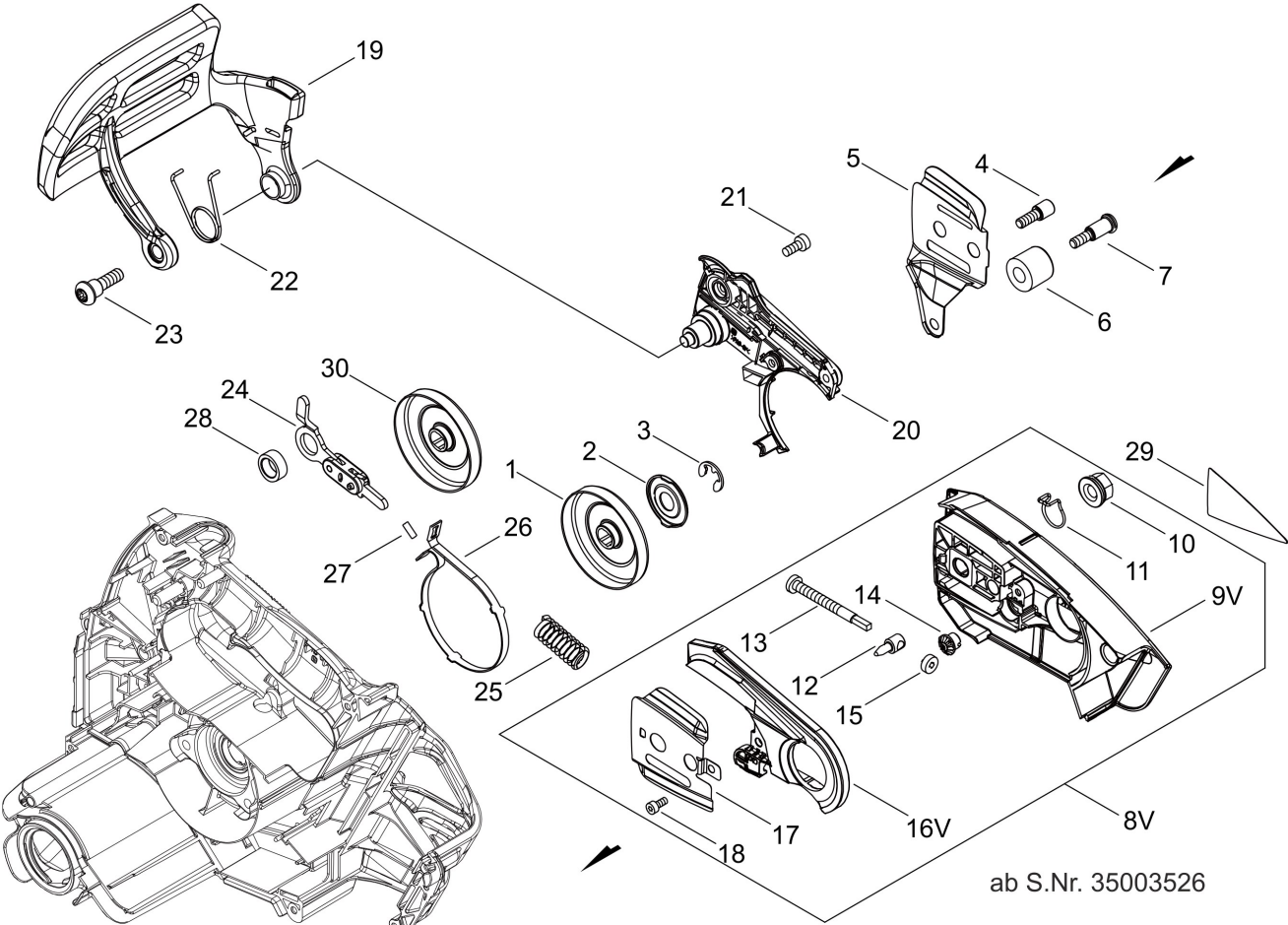


Illustration Chain brake, bar cover from S.Nr. 35003526

Nr.	Antal	Kod	Beskrivning	Bilaga	Anmärkning
1	1	A556001920	Clutch drum 3/8", DCS-2500T		
2	1	V307000620	Sprocket cover disc, DCS-2500T/TC		
3	1	V583000440	E-RING		
4	1	V203002280	BOLT, TORX 4		
5	1	C305000511	Inner oil baffle, CS-2511TES/251Ts/CS-2511WES/ DCS-2500T		
6	1	C310000140	CATCHER, CHAIN		
7	1	V203002260	BOLT, 5		
8V	1	P100009531	Sprocket cover complete, DCS-2500T/TC		
9V	1	C300001221	Sprocket cover, DCS-2500T/TC		
10	1	V265000550	NUT,8		
11	1	C649000420	HOOK		
12	1	C309000110	TENSIONER, CHAIN		
13	1	V203000041	BOLT, 5		
14	1	V651001060	GEAR, BEVEL		
15	1	V651000011	GEAR, BEVEL		
16V	1	C301000020	Guide, chain tensioning screw, DCS-2500T		
17	1	C305000521	Outer oil baffle, CS-2511TES/251Ts/DCS-2500T		
18	1	V804000160	Screw Torx 4x12, DCS-2500T		
19	1	C320000610	Chain brake lever, DCS-2500T/TC		
20	1	C345000730	Chain brake cover plate, DCS-2500T/TC		
21	3	V804000160	Screw Torx 4x12, DCS-2500T		
22	1	V452001940	Spring, chain brake lever, DCS-2500T/TS		
23	1	V203002270	BOLT, 5		
24	1	C334000340	CONNECTOR, BRAKE		
25	1	V450002400	Spring chain brake, DCS-2500T/TC		
26	1	C328000360	Brake band, DCS-2500T/TC		
27	1	9305030080	ROLLER		
28	1	V355000860	COLLAR,8		
29	1	X502001230	Sticker "ECHO", DCS-2500T/TC		
30	1	A556001910	Clutch drum 1/4", DCS-2500TC		

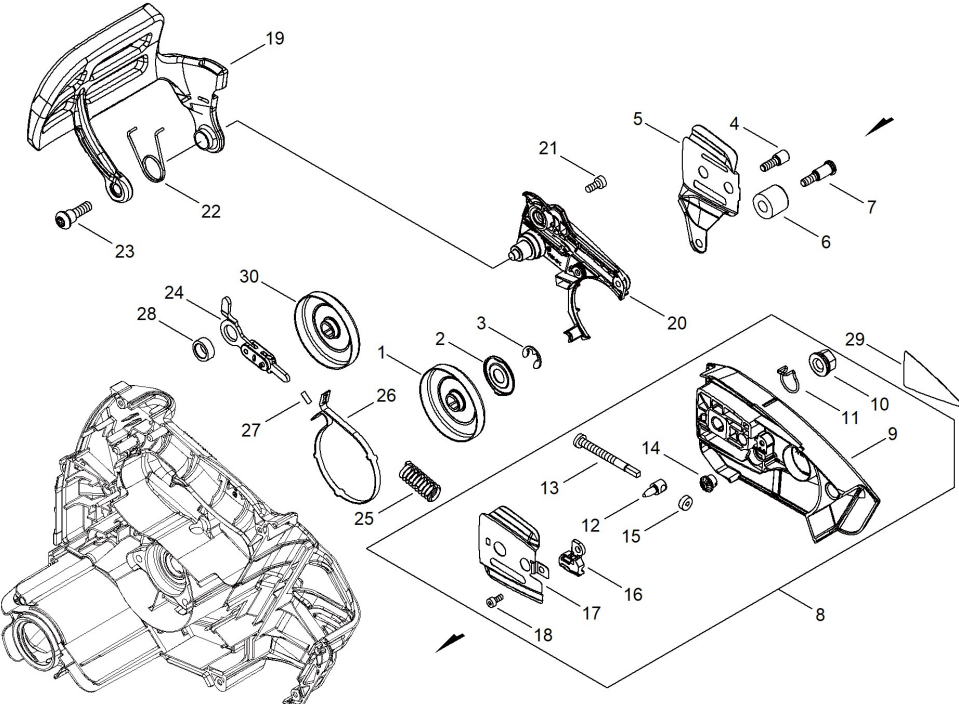


Illustration Chain brake, bar cover up to S.Nr. 35003525

Nr.	Antal	Kod	Beskrivning	Bilaga	Anmärkning
1	1	A556001920	Clutch drum 3/8", DCS-2500T		
2	1	V307000620	Sprocket cover disc, DCS-2500T/TC		
3	1	V583000440	E-RING		
4	1	V203002280	BOLT, TORX 4		
5	1	C305000511	Inner oil baffle, CS-2511TES/251Ts/CS-2511WES/ DCS-2500T		
6	1	C310000140	CATCHER, CHAIN		
7	1	V203002260	BOLT, 5		
8	1	P100009530	Sprocket cover complete, DCS-2500T/TC	TI_Y2021-699	
9	1	C300001220	Sprocket cover, DCS-2500T/TC	TI_Y2021-699	
10	1	V265000550	NUT,8		
11	1	C649000420	HOOK		
12	1	C309000110	TENSIONER, CHAIN		
13	1	V203000041	BOLT, 5		
14	1	V651001060	GEAR, BEVEL		
15	1	V651000011	GEAR, BEVEL		
16	1	V355000840	COLLAR,8	TI_Y2021-699	
17	1	C305000521	Outer oil baffle, CS-2511TES/251Ts/DCS-2500T		
18	1	V804000160	Screw Torx 4x12, DCS-2500T		
19	1	C320000610	Chain brake lever, DCS-2500T/TC		
20	1	C345000730	Chain brake cover plate, DCS-2500T/TC		
21	3	V804000160	Screw Torx 4x12, DCS-2500T		
22	1	V452001940	Spring, chain brake lever, DCS-2500T/TS		
23	1	V203002270	BOLT, 5		
24	1	C334000340	CONNECTOR, BRAKE		
25	1	V450002400	Spring chain brake, DCS-2500T/TC		
26	1	C328000360	Brake band, DCS-2500T/TC		
27	1	9305030080	ROLLER		
28	1	V355000860	COLLAR,8		
29	1	X502001230	Sticker "ECHO", DCS-2500T/TC		
30	1	A556001910	Clutch drum 1/4", DCS-2500TC		

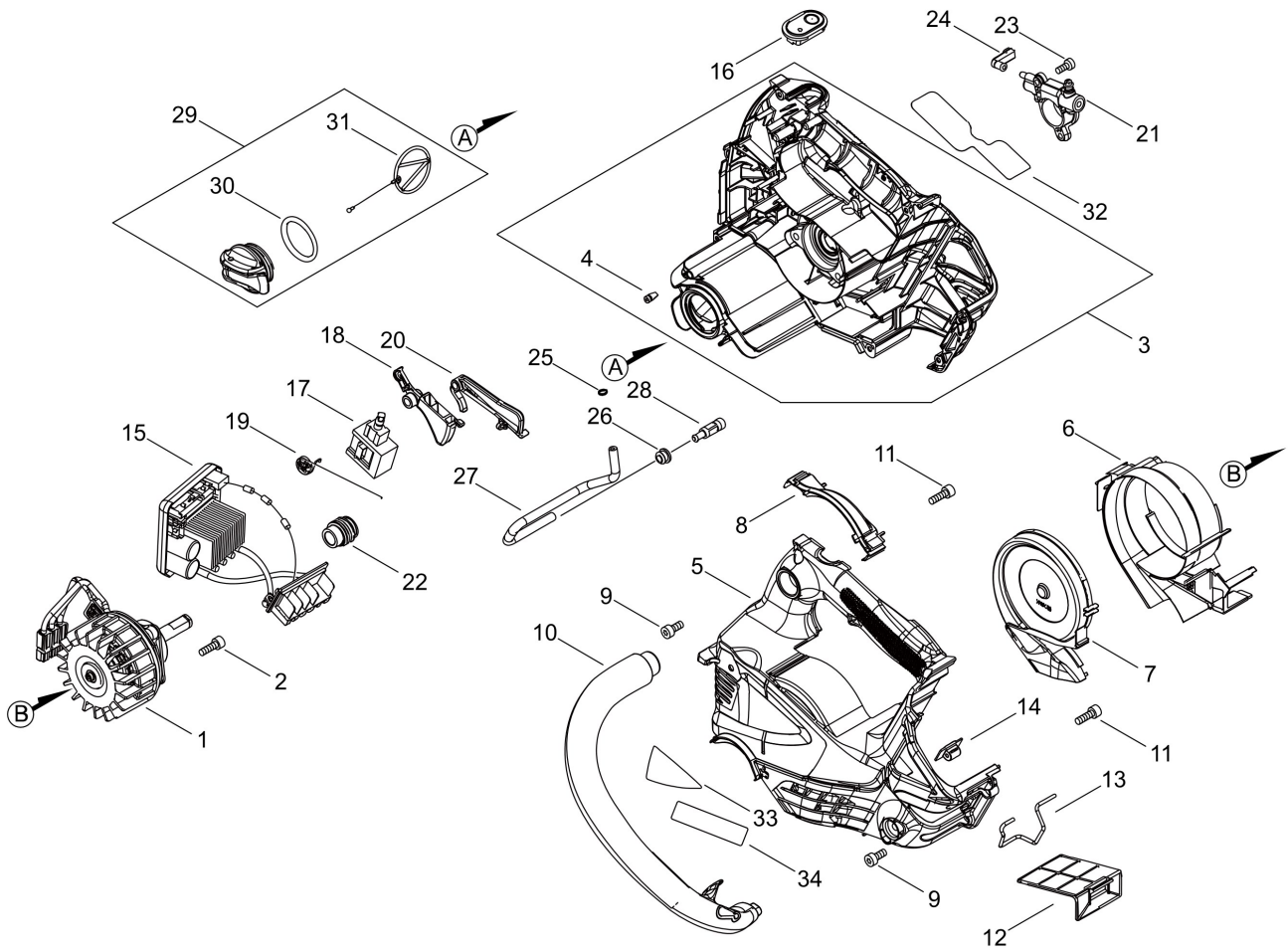


Illustration engine, housing

Nr.	Antal	Kod	Beskrivning	Bilaga	Anmärkningar
1	1	A054000300	Engine complete, DCS-1600		
2	3	V805000250	BOLT, TORX 5		
3	1	P100009521	Housing, motor cpl., DCS-2500T		
4	1	43611413930	VALVE, CHECK		
5	1	A539000480	Rear motor housing, DCS-2500T/TC		
6	1	E103001660	Housing, fan motor, DCS-2500T/TC		
7	1	E103001670	Cover housing, fan motor, DCS-2500T/TC		
8	1	A539000460	Motor cover, DCS-2500T/TC		
9	6	V804000160	Screw Torx 4x12, DCS-2500T		
10	1	C400001740	Left hand grip, DCS-2500T/TC		
11	2	V805000000	BOLT, TORX 5		
12	1	A226002360	Air filter, DCS-2500T/TC		
13	1	C646000160	Cable eyelet, DCS-2500T/TC		
14	1	C626000100	DCS-2500T/TC cable eyelet bracket		
15	1	A047000420	Control Unit, DCS-2500T/TC		
16	1	A047000430	Switch Unit, DCS-2500T/TC		
17	1	G334001830	Switch throttle, DHC-200		
18	1	J361000790	Throttle Lever, DCS-2500T/TC		
19	1	V452001650	SPRING,TORSION		
20	1	C490000010	Throttle lockout, DCS-2500T/TC		
21	1	C022000211	Oil pump CS-2511TES/CS-2511WES/DCS-2 500T/251Ts		
22	1	V652000290	Oil pump drive, DCS-2500T/TC		
23	1	V804000160	Screw Torx 4x12, DCS-2500T		
24	1	V470002400	Oil hose, DCS-2500T/TC		
25	1	V490001230	CLIP		
26	1	13211501462	Gas tank sealing ring, CS-310ES/CS-352ES/CS-3510ES/ DCS-2500T/ES-255ES/PPT-2620 ES		
27	1	V471003311	Oil line, DCS-2500T/TC 3x6x200		
28	1	P021050140	Strainer Oil ASY		
29	1	P100004610	Oil tank cap CS-4510ES/DCS-2500T/451s		
30	1	90072020029	O-RING 29		
31	1	A365000050	CONNECTOR,CAP		
32	1	X505011050	Sticker, caution, DCS-2500T/TC		

Illustration engine, housing

Nr.	Antal	Kod	Beskrivning	Bilaga	Anmärkningar
33	1	X543005720	Sticker model, DCS-2500T/TC		
34	1	X502000390	LABEL,ECHO		

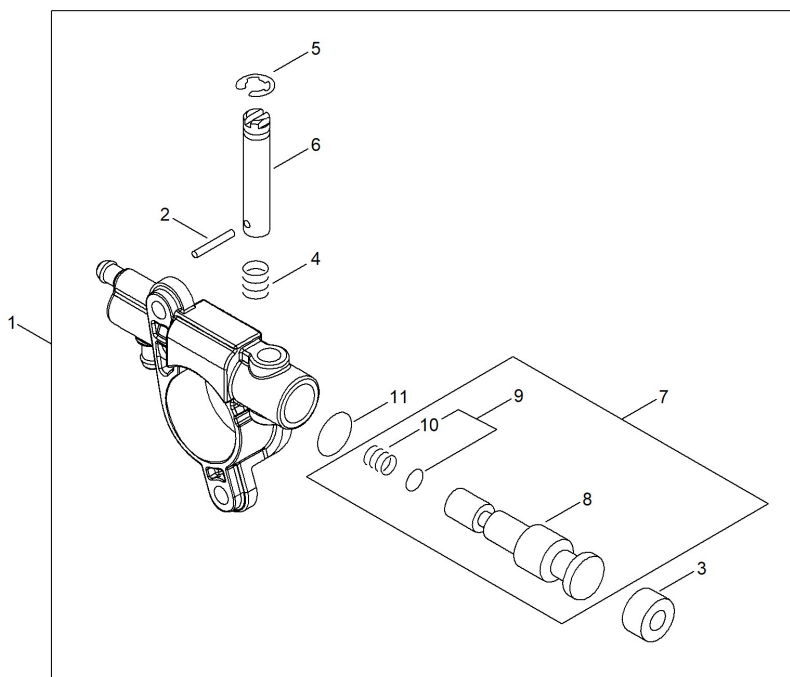


Illustration oil pump

Nr.	Antal	Kod	Beskrivning	Bilaga	Anmärkningar
1	1	C022000211	Oil pump CS-2511TES/CS-2511WES/DCS-2 500T/251Ts		
2	1	P003002180	PIN, SPRING		
3	1	43706238330	CAP, OIL PUMP		
4	1	43701537330	SPRING		
5	1	12312715030	RING		
6	1	P003005430	NEEDLE-ADJ		
7	1	P200000390	Piston Kit, Oil Pump CS-2511TES/CS-2511WES/ DCS-2500T/251Ts		
8	1	P003005990	Piston, oil pump CS-2511TES/CS-2511WES/DCS-2 500T/ 251Ts/251Ws		
9	1	P200000490	Spring washer kit, CS-2511TES/CS-2511WES/ DCS-2500T/251Ts/251Ws oil pump		
10	1	P003006000	Spring, oil pump CS-2511TES/CS-2511WES/DCS-2 500T/ 251Ts/251Ws		
11	1	P003005420	O-RING		

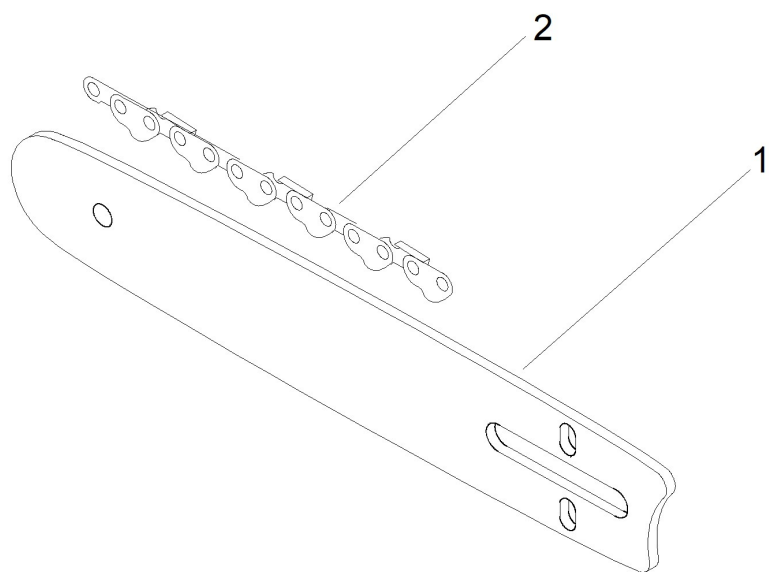


Illustration cutting set

Nr.	Antal	Kod	Beskrivning	Bilaga	Anmärkningar
1	1	S-25RC-50-3/8	BAR GUIDE 25 No X121-000002		
1	1	S-25C-43SL-1/4	Carving machine 25 cm, 1/4 inch, ECHO 1.1 mm groove width		
2	1	KE-2513-3840	Saw chain - 25 cm, 3/8"H pitch, 40 drive links, 1.3 mm drive link thickness		
2	1	KE-2511-1460	Saw chain 25 cm, 1.1 mm drive link thickness 60 drive links, pitch 1/4"		

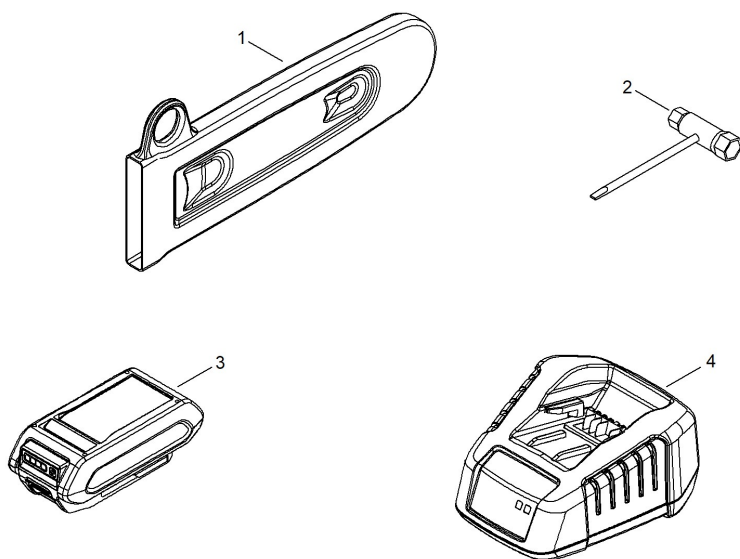


Illustration Accesories

Nr.	Antal	Kod	Beskrivning	Bilaga	Anmärkningar
1	1	X490000990	Rail guard, 25 cm, ECHO DCS-2500T		
2	1	X602000080	TOOL, WRENCH		
3	1	LBP-560-100	Battery 2 Ah, 92 Wh for 50V ECHO battery system		Optional
4	1	LCJQ-560C	Battery quick charger for ECHO 50V battery system		Optional

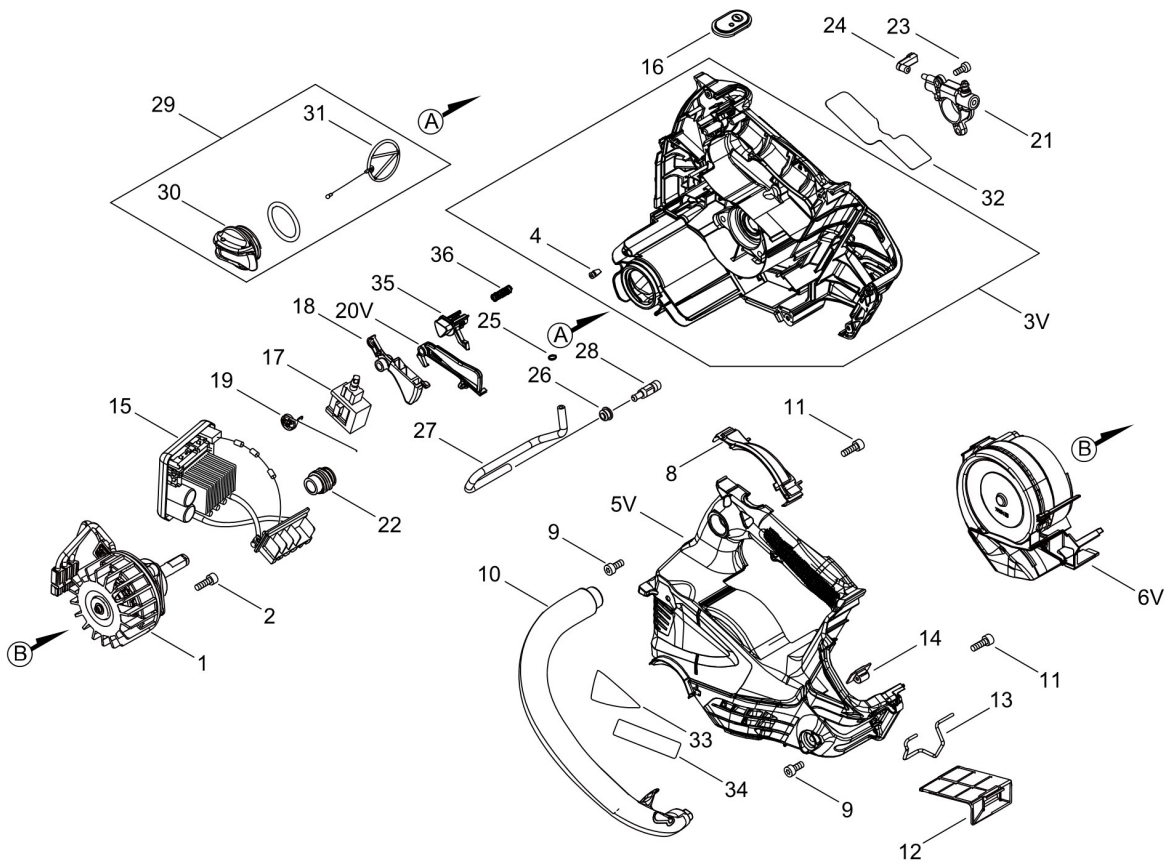
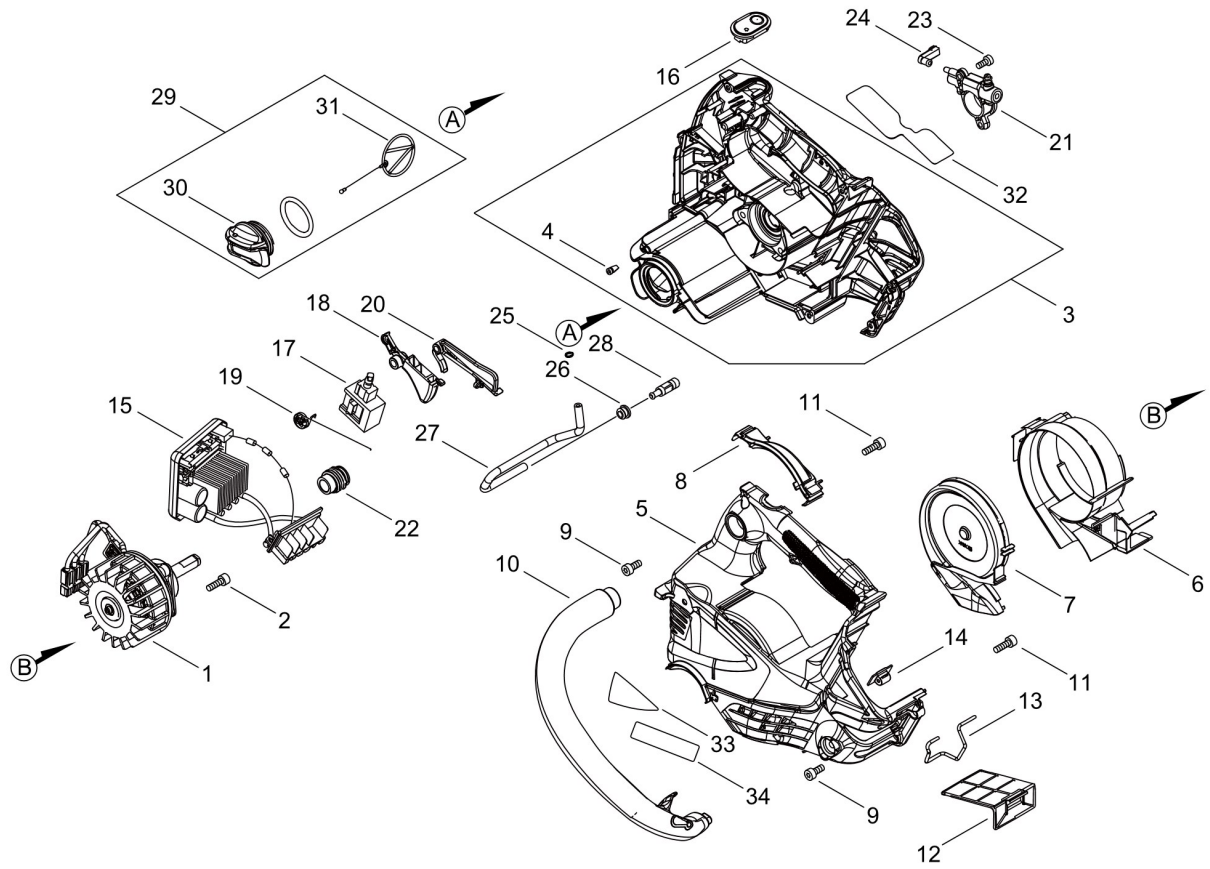


Illustration 01_MOTOR

Nr.	Antal	Kod	Beskrivning	Bilaga	Anmärkningar
1	1	A054-000300	MOTOR,ASM		
2	3	V805-000250	BOLT, TORX 5		TB-5*16 12.9
3	1	P100-009522	COVER,MOTOR ASY -C81535019733		
3V	1	P100-009523	COVER,MOTOR ASY C81535019734-		
4	1	436114-13930	VALVE, CHECK		
5	1	A539-000481	COVER,MOTOR -C81535019733		F-SIDE
5V	1	A539-000482	COVER,MOTOR C81535019734-		
6	1	E103-001660	CASE,FAN -C81535019733		LARGE
6V	1	P100-013370	CASE,FAN ASY C81535019734-		
7	1	E103-001670	CASE,FAN -C81535019733		
8	1	A539-000460	COVER,MOTOR		SMALL
9	6	V804-000160	"BOLT, TORX 4"		TT-P 4*12
10	1	C400-001740	HANDLE, FRONT		GAI
11	2	V805-000000	BOLT, TORX 5		TT-5*16 DG 10.9
12	1	A226-002360	ELEMENT, AIR FILTER		PA6-MESH #30
13	1	C646-000160	RING, HARNESS		2.3
14	1	C626-000100	FIXTURE, HARNESS		
15	1	A047-000421	BOARD,ASM CONTROL -C81535019733		
15	1	A047-000660	BOARD,ASM CONTROL C81535019734-		62841PRG
16	1	A047-000430	SWITCH -C81535019733		
16	1	A047-000670	SWITCH C81535019734-		
17	1	G334-001830	SWITCH		G33407S0080
18	1	J361-000790	LEVER		
19	1	V452-001650	SPRING,TORSION		
20	1	C490-000010	LOCKOUT -C81535019733		
20V	1	C490-000050	LOCKOUT C81535019734-		GRIP SENSOR
21	1	C022-000211	AUTO-OILER ASSEMBLY		OP-27C(B)
22	1	V652-000290	GEAR,WORM		
23	1	V804-000160	"BOLT, TORX 4"		TT-P 4*12
24	1	V470-002400	PIPE		
25	1	V490-001230	CLIP		
26	1	132115-01462	GROMMET		
27	1	V471-003311	PIPE		3*6*200
28	1	P021-050140	STRAINER, OIL ASY		
29	1	P100-004610	CAP,OIL ASY		
30	1	900720-20029	O-RING		P-29
31	1	A365-000050	CONNECTOR,CAP		
32	1	X505-011050	LABEL,CAUTION		SYMBOL
33	1	X543-005720	LABEL,MODEL		DCS-2500T
34	1	X502-000390	LABEL,ECHO		ECHO 72.5*15
35	1	C490-000061	LOCKOUT		

Illustration 01_MOTOR

Nr.	Antal	Kod	Beskrivning	Bilaga	Anmärkningar
36	1	V450-002250	SPRING,COMPRESSION		

Illustration 02_CHAIN_BRAKE

~35003525

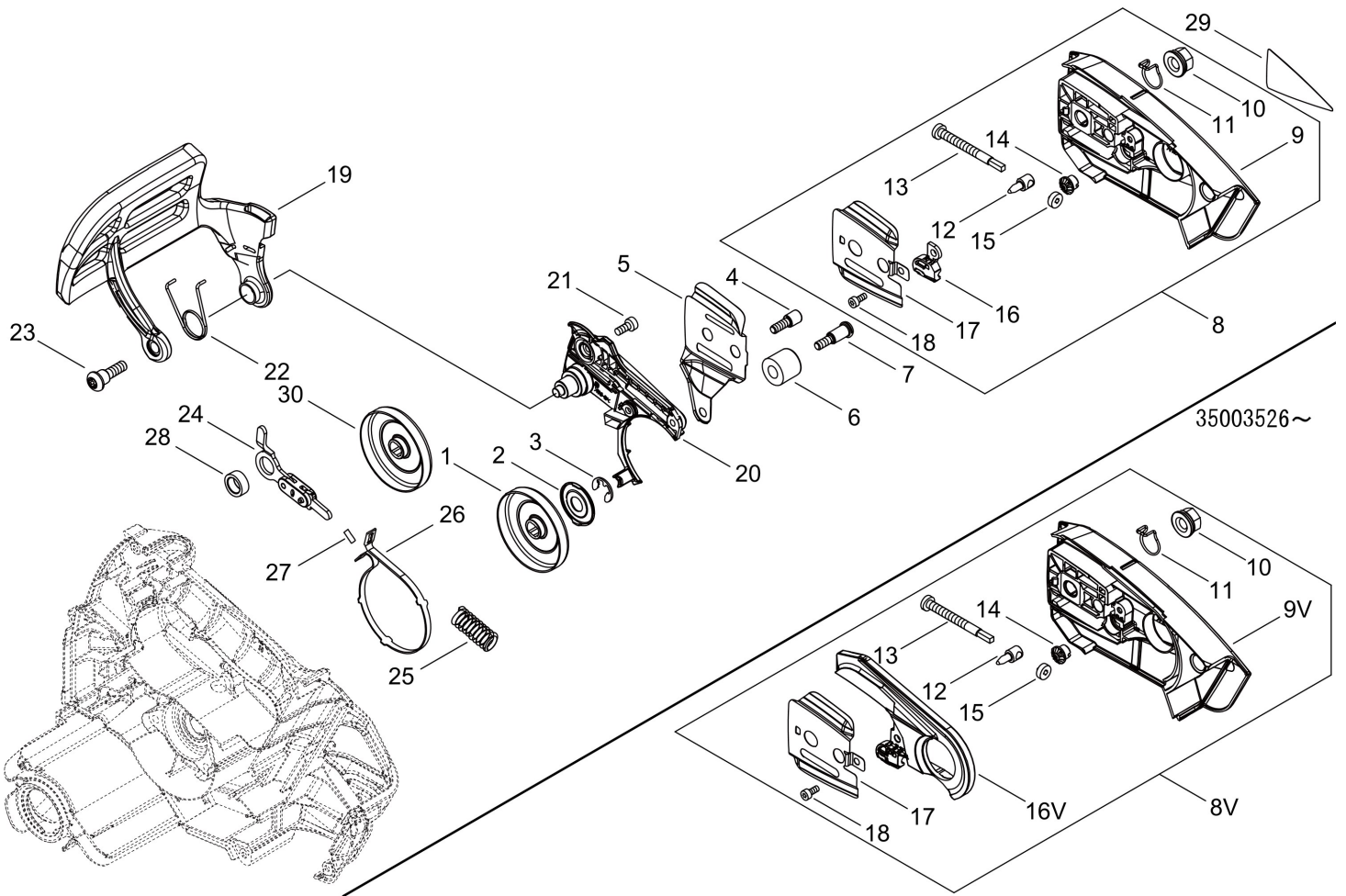
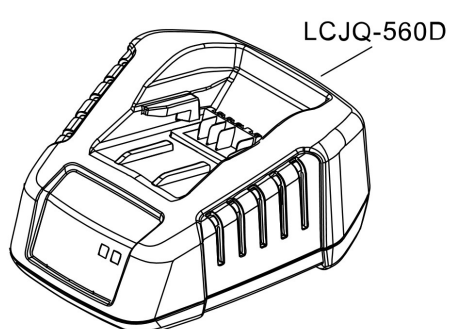
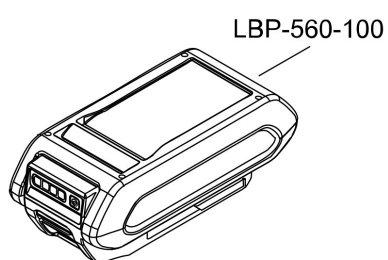
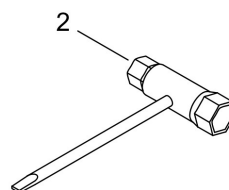
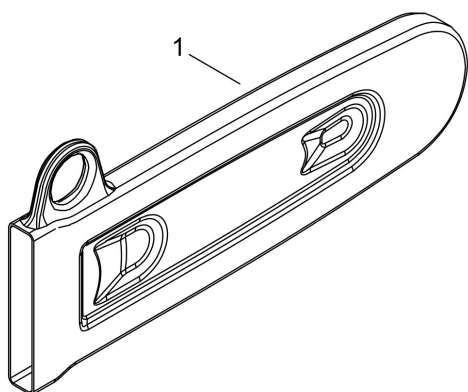


Illustration 02_CHAIN_BRAKE

Nr.	Antal	Kod	Beskrivning	Bilaga	Anmärknings
1	1	A556-001920	"DRUM, CLUTCH"		3/8
2	1	V307-000620	"WASHER,CIRCULAR 10"		10*28.5*3.5(0.8)
3	1	V583-000440	RING		8.1 T1.2
4	1	V203-002280	BOLT,5		
5	1	C305-000511	PLATE,SPROCKET GUARD		T0.3
6	1	C310-000140	CATCHER, CHAIN		
7	1	V203-002260	BOLT,5		
8	1	P100-009530	"GUARD, SPROCKET ASY -35003525"		
9	1	C300-001220	"GUARD, SPROCKET -35003525"		
10	1	V265-000550	NUT,8		
11	1	C649-000420	HOOK		
12	1	C309-000110	TENSIONER,CHAIN		
13	1	V203-000041	BOLT,5		
14	1	V651-001060	GEAR,BEVEL		
15	1	V651-000011	GEAR,BEVEL		
16	1	V355-000840	COLLAR,8		
17	1	C305-000521	PLATE,SPROCKET GUARD		T0.3
18	1	V804-000160	"BOLT, TORX 4"		TT-P 4*12
19	1	C320-000610	"LEVER, BRAKE"		
20	1	C345-000730	"COVER,BRAKE"		
21	3	V804-000160	"BOLT, TORX 4"		TT-P 4*12
22	1	V452-001940	"SPRING,TORSION"		1.6
23	1	V203-002270	BOLT,5		
24	1	C334-000340	CONNECTOR, BRAKE		
25	1	V450-002400	"SPRING,COMPRESSION"		f ³ 2.5
26	1	C328-000361	"BAND, BRAKE"		
27	1	93050-30080	ROLLER		3*8
28	1	V355-000860	COLLAR,8		
29	1	X502-001230	"LABEL,ECHO"		
30	1	A556-001910	"DRUM, CLUTCH"		1/4
8V	1	P100-009531	"GUARD, SPROCKET ASY 35003526-"		
9V	1	C300-001221	"GUARD, SPROCKET 35003526-"		
10	1	V265-000550	NUT,8		
11	1	C649-000420	HOOK		
12	1	C309-000110	TENSIONER,CHAIN		
13	1	V203-000041	BOLT,5		
14	1	V651-001060	GEAR,BEVEL		
15	1	V651-000011	GEAR,BEVEL		
16V	1	C301-000020	"PIECE,SPROCKET GUARD 35003526-"		
17	1	C305-000521	PLATE,SPROCKET GUARD		T0.3
18	1	V804-000160	"BOLT, TORX 4"		TT-P 4*12



* Batteries and charger are handle as accessories instead of spare parts.
Please place an order of batteries and charger at the same time as unit order.

Illustration 03_ACCESSORIES

Nr.	Antal	Kod	Beskrivning	Bilaga	Anmärkningar
1	1	X490-000990	SCABBARD,CHAIN		
2	1	X602-000080	TOOL,WRENCH		13*19 L180

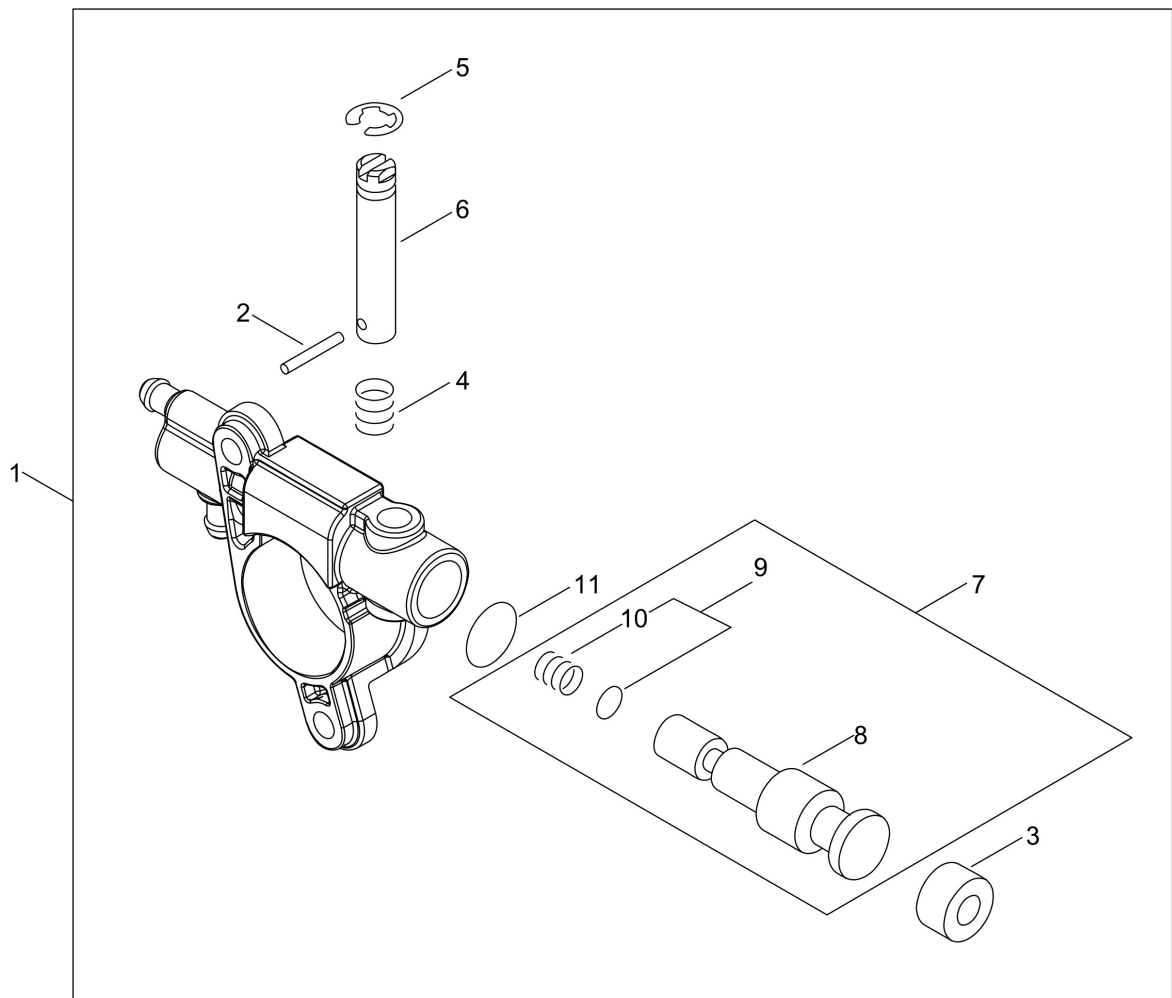


Illustration 04_OILER

Nr.	Antal	Kod	Beskrivning	Bilaga	Anmärkning
1	1	C022-000211	AUTO-OILER ASSEMBLY		OP-27C(B)
2	1	P003-002180	PIN, SPRING		
3	1	437062-38330	CAP, OIL PUMP		
4	1	437015-37330	SPRING		
5	1	123127-15030	RING		
6	1	P003-005430	NEEDLE-ADJ		
7	1	P200-000390	PLUNGER SHAFT KIT		
8	1	P003-005990	SHAFT ASY-PLUNGER		
9	1	P200-000490	SPRING WASHER KIT		
10	1	P003-006000	SPRING		
11	1	P003-005420	WASHER		

Illustration 05_GUIDE_BAR__CHAIN



Pitch ピッチ (inch) (mm)	Gauge ゲージ (inch) (mm)	Length 長さ (cm)	Guide Bar ガイドバー		Saw Chain ソーチェン		Hard Nose ハード ノーズ	Sprocket Nose スプロケット ノーズ	File Tool ファイル ツール	Grip グリップ
			Key №	Type 形式	Key №	Type 形式				
3/8 9.53	0.050 1.27	25	A1	C25S91-40SL- ET	A2	91PX-40E		●	3	4
1/4 6.35	0.043 1.09	25	B1	C25HA4-60CL- ED	B2	A4S-60E	●			
1/4 6.35	0.043 1.09	20	C1	C20HA4-52CL- ED	C2	A4S-52E	●			

Illustration 05_GUIDE_BAR_CHAIN

Nr.	Antal	Kod	Beskrivning	Bilaga	Anmärkningar
A1	1	X121-000003	BAR,GUIDE 25		C25S91-40SL- ET
A2	1	X221-000100	CHAIN,SAW		91PX-40E
B1	1	X101-000210	BAR,GUIDE 25		C25HA4-60CL- ED
B2	1	X201-000020	CHAIN,SAW		A4S-60E ECHO
C1	1	X100-000070	BAR,GUIDE 20		C20HA4-52CL- ED
C2	1	X200-000020	CHAIN,SAW		A4S-52E ECHO
3	1	X620-000080	TOOL,FILE		3.5*246
4	1	X622-000000	GRIP		D3.5-4.0

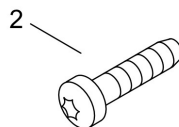
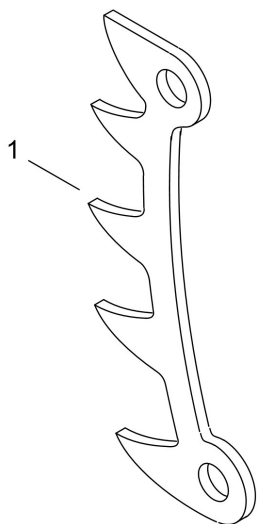


Illustration 06_OPTION_PARTS

Nr.	Antal	Kod	Beskrivning	Bilaga	Anmärkning
1	1	C304-000000	SPIKE		
2	2	V805-000240	BOLT, TORX 5		TT-5*12 DG 10.9