

DCS-3500



## Dokumenten

chain brake

---

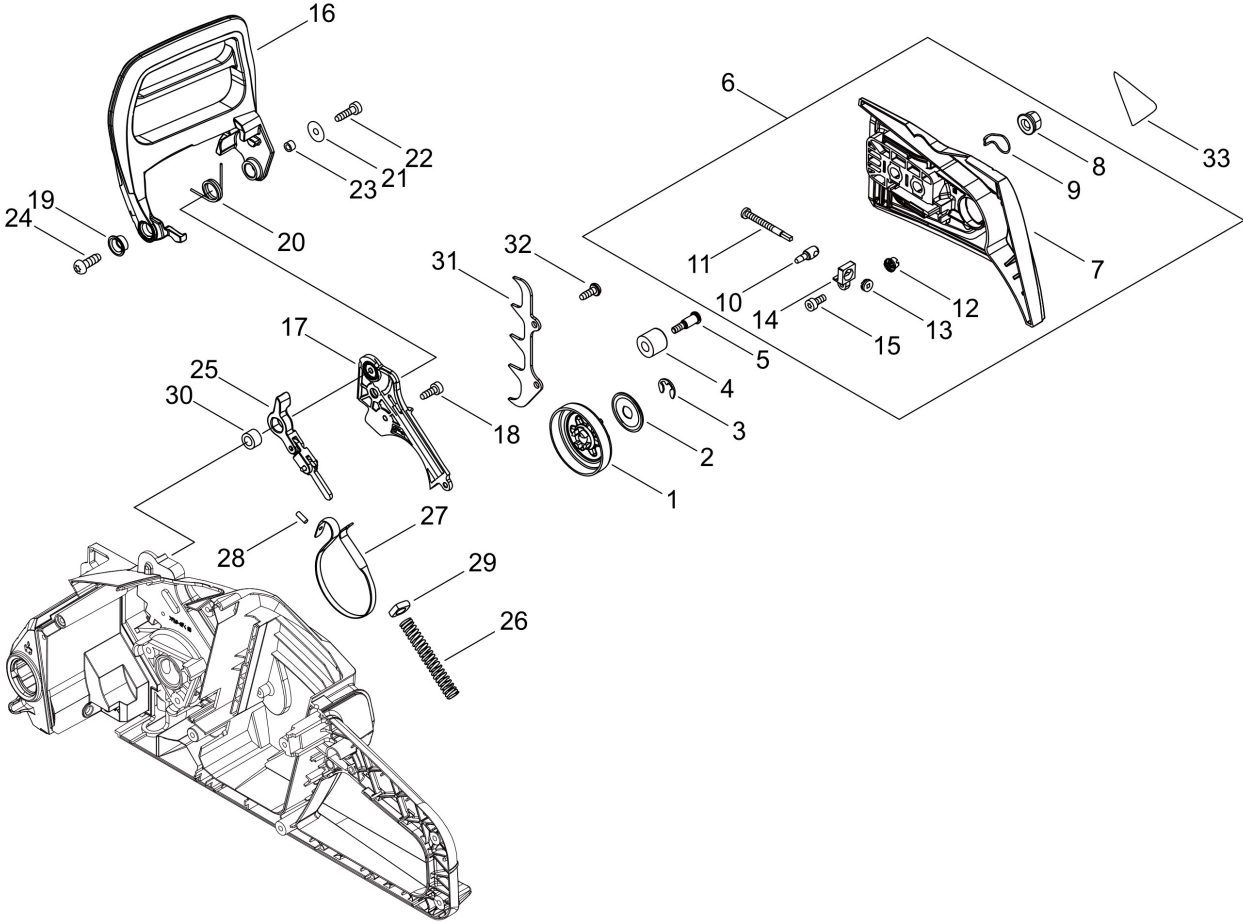
Engine

---

Accessories

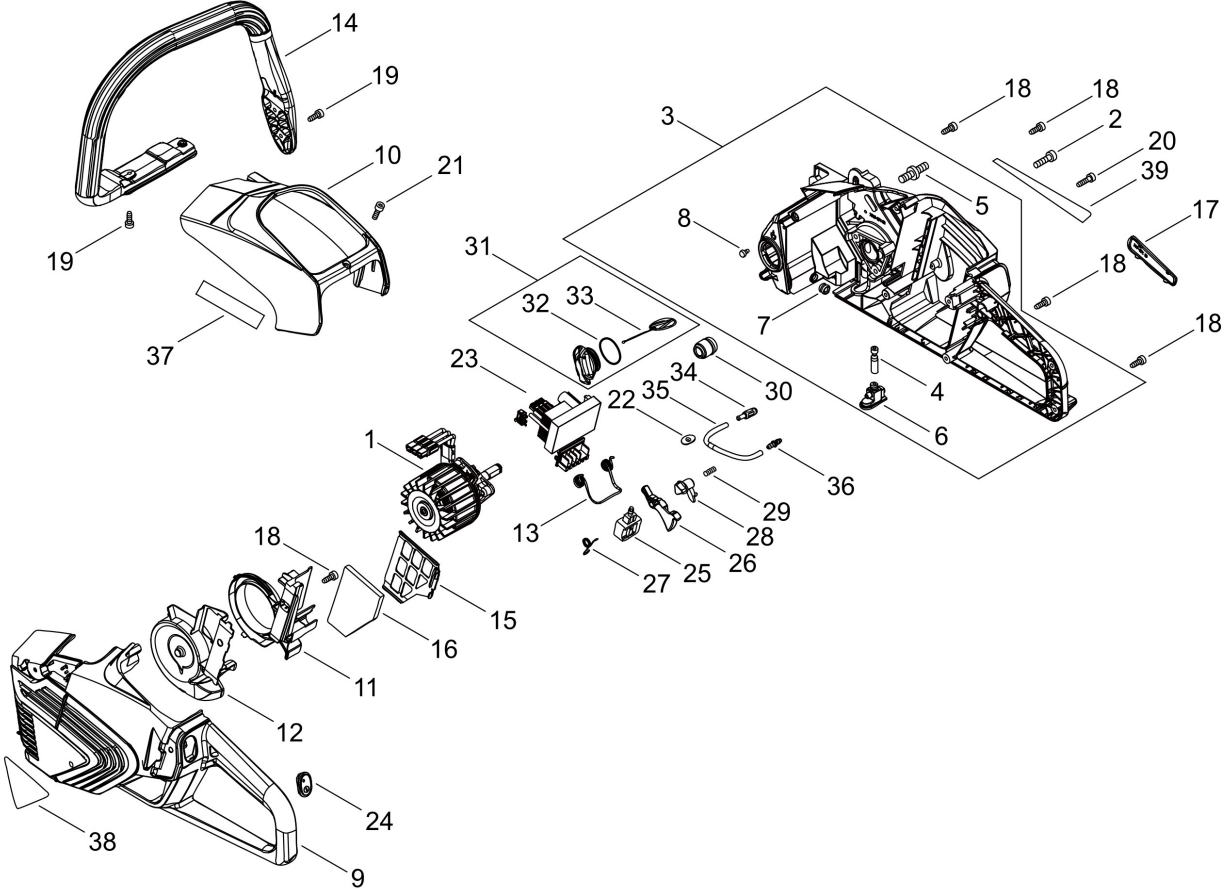
---

Illustration chain brake



## Illustration chain brake

Nr.	Antal	Kod	Beskrivning	Bilaga	Anmärkningar
1	1	A556001800	Clutch drum 3/8", DCS-1600		
2	1	V307000620	Sprocket cover disc, DCS-2500T/TC		
3	1	V583000440	E-RING		
4	1	C310000140	CATCHER, CHAIN		
5	1	V203002260	BOLT, 5		
6	1	P100011390	Sprocket cover complete, DCS-3500		
7	1	C300001280	Sprocket cover, DCS-3500		
8	2	V265000550	NUT,8		
9	2	C649000420	HOOK		
10	1	C309000030	TENSIONER, CHAIN		
11	1	V203000041	BOLT, 5		
12	1	V651001060	GEAR, BEVEL		
13	1	V651000011	GEAR, BEVEL		
14	1	V355000140	COLLAR, 8		
15	1	V804000160	Screw Torx 4x12, DCS-2500T		
16	1	C320000542	Chain brake lever, DCS-3500		
17	1	C345000670	Chain brake cover, DCS-1600		
18	3	V804000170	Screw Torx 4x16, DCS-1600		
19	1	V356000430	BELLOWS, INTAKE		
20	1	V452000250	Spring		
21	1	17721403930	Washer		
22	1	V804000180	Screw Torx 4x20, DCS-1600		
23	1	43311635430	SPACER 8		
24	1	V805000010	BOLT, TORX 5		
25	1	C334000100	CONNECTOR, BRAKE		
26	1	V450002240	Spring chain brake, DCS-1600		
27	1	C328000340	Brake band, DCS-1600		
28	1	9305030098	ROLLER		
29	1	V376000450	SPACER		
30	1	43311635430	SPACER 8		
31	1	C304000320	Stop Claw CS-4510ES, 451s		
32	2	V805000240	BOLT, TORX 5		
33	1	X502001070	Sticker "ECHO", DCS-1600		



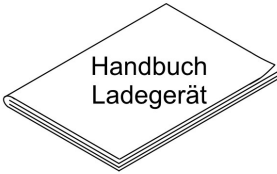
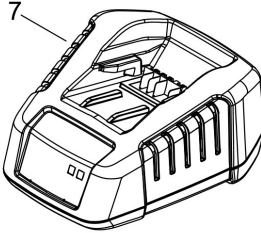
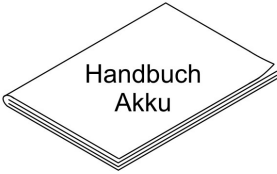
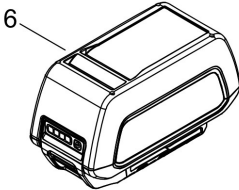
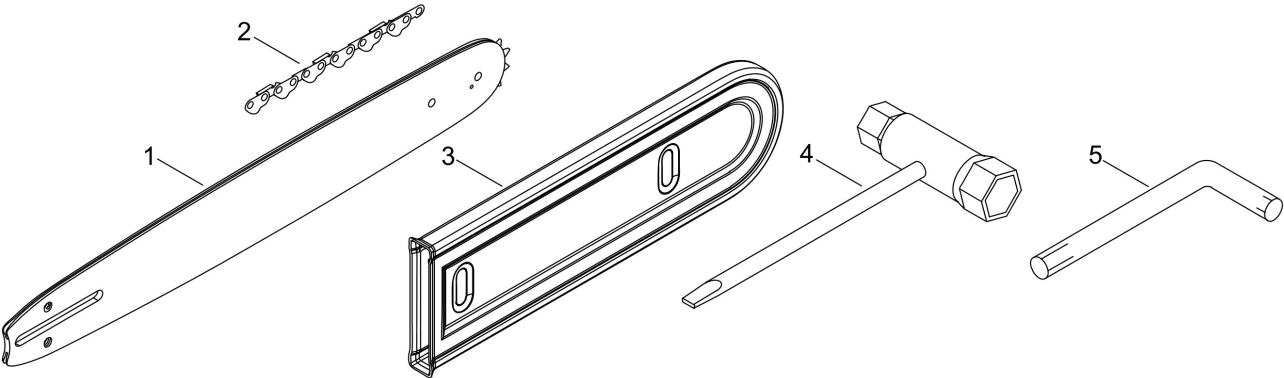
## Illustration Engine

Nr.	Antal	Kod	Beskrivning	Bilaga	Anmärkningar
1	1	A054000340	Engine complete, DCS-3500		
2	3	V203002570	Screw, M5x20		
3	1	P100004474	Motor housing complete, with integrated oil tank, DCS-3500		
4	1	C022000190	oil pump cpl. CS-352ES/CS-3510ES/CS-3510A C/		
5	2	V225000370	Stud, CS-4610ES, 451s M8		
6	1	V470002350	Oil hose, DCS-1600		
7	1	13211501462	Gas tank sealing ring, CS-310ES/CS-352ES/CS-3510ES/ DCS-2500T/ES-255ES/PPT-2620 ES		
8	1	A356000130	VALVE,CHECK		
9	1	A539000440	Housing motor left, DCS-1600		
10	1	J470008660	Cover engine, DCS-1600		
11	1	E103001520	Fan housing left, DCS-1600		
12	1	E103001530	Fan housing left outside, DCS-1600		
13	1	V452001790	Spring, DCS-1600		
14	1	C400001650	Front handle, DCS-1600		
15	1	A232001960	Air filter cover, DCS-1600		
16	1	A226002180	Air filter, DCS-1600		
17	1	C412000740	Grip rubber, DCS-1600		
18	7	V804000170	Screw Torx 4x16, DCS-1600		
19	4	V804000010	BOLT, TORX 4		
20	1	V804000180	Screw Torx 4x20, DCS-1600		
21	1	V804000060	BOLT, TORX 4		
22	1	V280000000	Nut M4, DCS-1600		
23	1	A047000510	Control Unit, DCS-3500		
24	1	A047000391	Switch Unit, DCS-1600		
25	1	G334001830	Switch throttle, DHC-200		
26	1	J361000760	Throttle, DCS-1600		
27	1	V452001780	Spring Throttle, DCS-1600		
28	1	C490000000	Throttle lockout, DCS-1600		
29	1	V450002250	AV RUBBER		
30	1	V652000250	Oil Pump Drive, DCS-1600		
31	1	P100004610	Oil tank cap CS-4510ES/DCS-2500T/451s		
32	1	90072020029	O-RING 29		
33	1	A365000050	CONNECTOR,CAP		
34	1	P100001900	Oil Filter, 4510ES, 451s		
35	1	V471002381	Hose, petrol, CS-4310SX, 431sx 3x5x140		

## Illustration Engine

---

Nr.	Antal	Kod	Beskrivning	Bilaga	Anmärkningar
36	1	V186000510	JOINT, PIPE		
37	1	X502001060	Sticker "ECHO", CS-4510ES		
38	1	X543005960	Sticker model, DCS-3500		
39	1	X505011670	Caution label, DCS-3500		



## Illustration Accesories

---

Nr.	Antal	Kod	Beskrivning	Bilaga	Anmärkning
1	1	S-35RC-43-3/8	Chain bar 35cm / 52 drive links (1.1) 3/8"H		
2	1	KE-3511-3852	Saw chain - 35cm, 1.1mm 52 drive links, pitch 3/8"H		
3	1	X490000510	SCABBARD,CHAIN		
4	1	X602000080	TOOL, WRENCH		
5	1	X605000170	HEXA WRENCH		
6	1	LBP-560-200	Battery 4 Ah, 185 Wh for 50V ECHO battery system		Nicht im Lieferumfang
7	1	LCJQ-560C	Battery quick charger for ECHO 50V battery system		Nicht im Lieferumfang