

CS-4310SX



Dokumenten

MUFFLER

handles, petrol tank

clutch, chain brake

crankcase, engine cover

AIR CLEANER

engine, oil pump

cutting set, tool

Starter, Assy

CARBURETOR

Accessories

ignition

Illustration MUFFLER

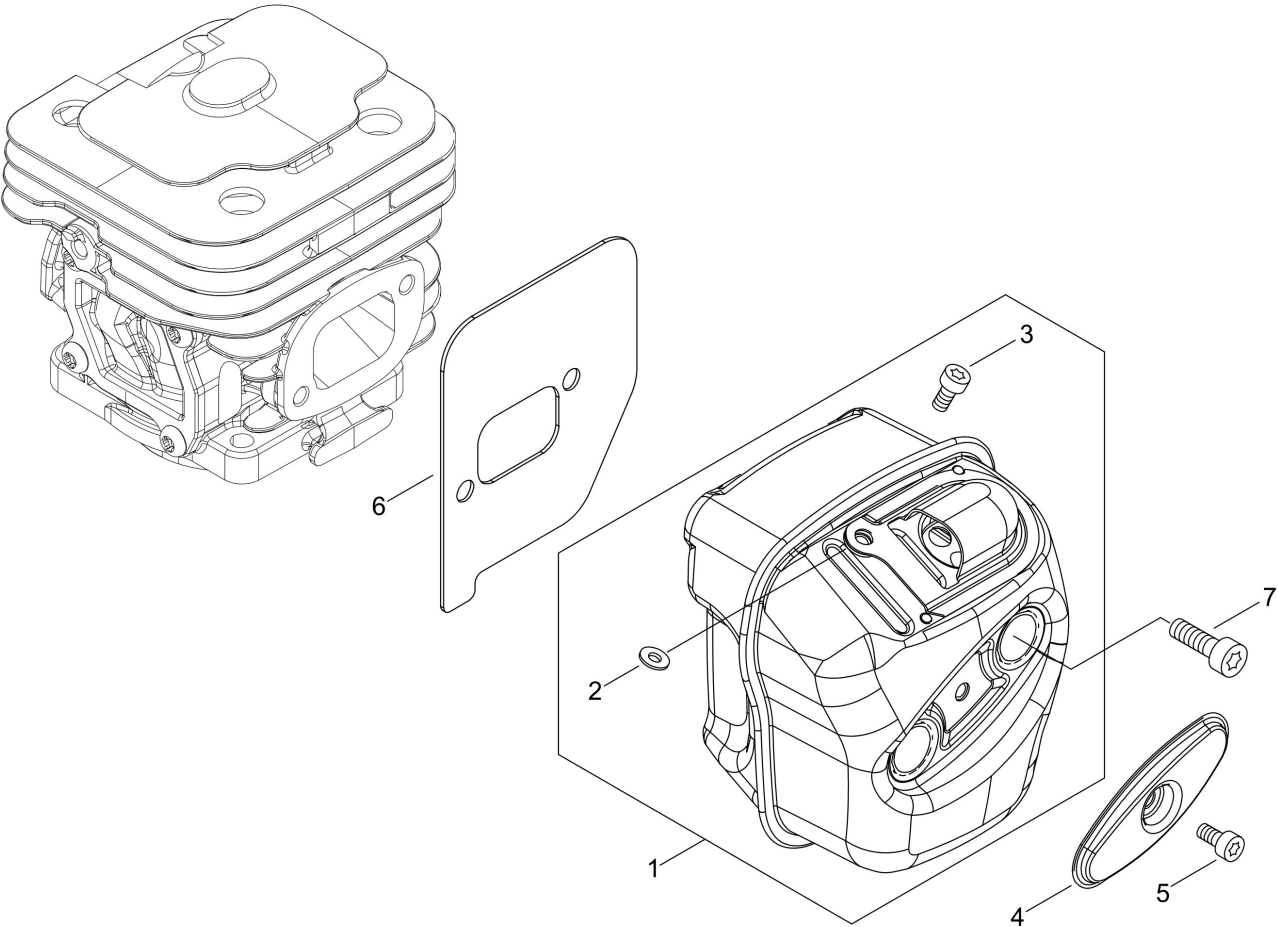


Illustration MUFFLER

Nr.	Antal	Kod	Beskrivning	Bilaga	Anmärkning
1	1	P100008430	Exhaust, CS-4310SX, 431sx		
2	1	90060200004	Washer		
3	1	V804000140	Torx 4x6 screw		
4	1	A301000090	Plate, exhaust 431sx		
5	1	V804000140	Torx 4x6 screw		
6	1	V104002500	Gasket, exhaust 431sx		
7	2	V805000250	BOLT, TORX 5		

Illustration handles, petrol tank

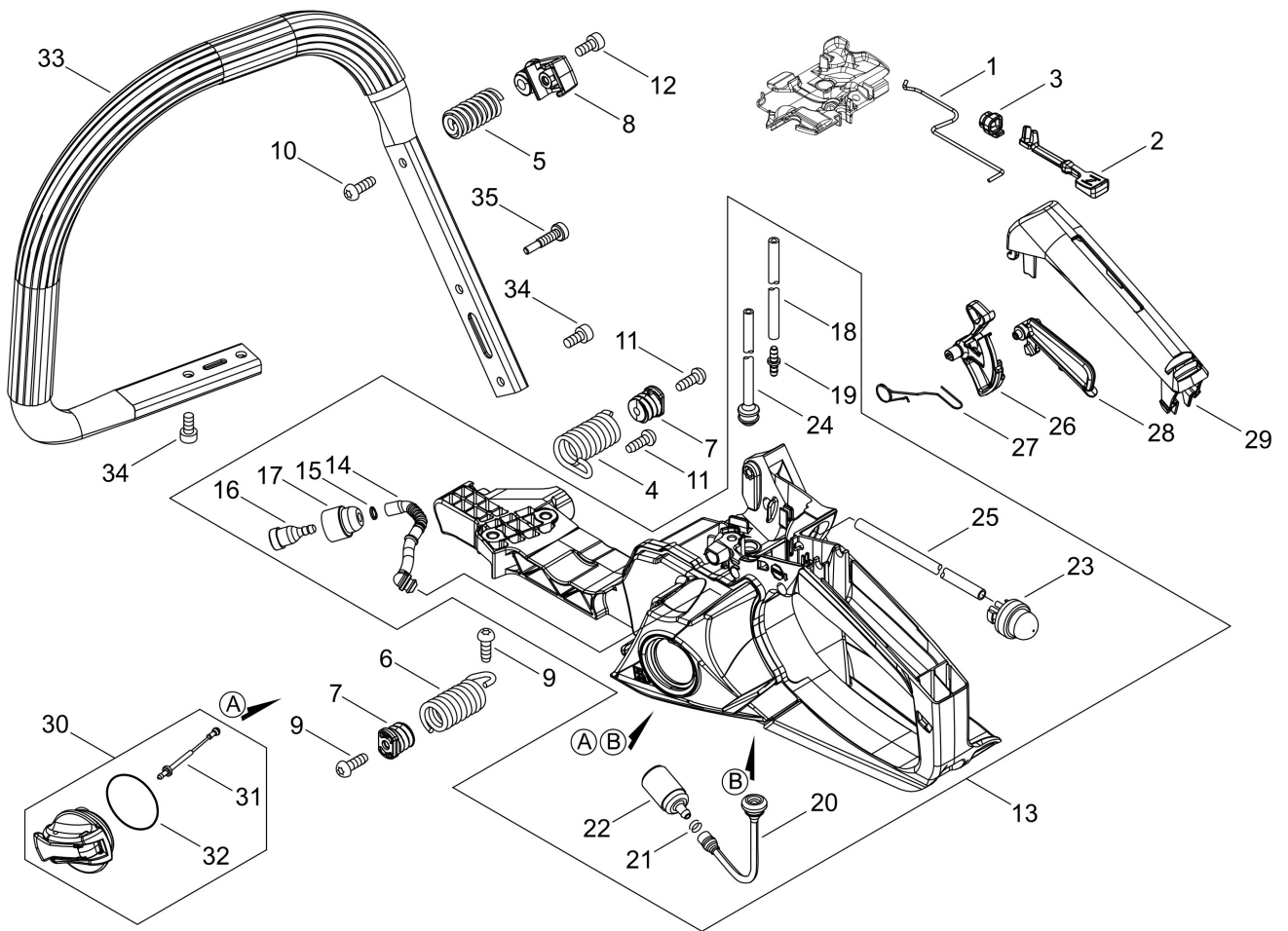


Illustration handles, petrol tank

Nr.	Antal	Kod	Beskrivning	Bilaga	Anmärkningar
1	1	C454000600	Linkage Throttle, CS-4310SX, 431sx		
2	1	A241000400	Choke lever CS-4310SX, 431sx		
3	1	V130000180	Rubber, choke lever CS-4310SX, 431sx		
4	1	V450002330	Anti-Vibration Spring, CS-4310SX, 431sx		
5	1	V450002340	Anti-Vibration Spring, CS-4310SX, 431sx		
6	1	V450002350	Anti-Vibration Spring, CS-4310SX, 431sx		
7	2	V456000410	Holder, damper spring CS-4310SX, 431sx		
8	1	V456000420	Holder, damper spring CS-4310SX, 431sx		
9	2	V805000000	BOLT, TORX 5		
10	1	V805000000	BOLT, TORX 5		
11	2	V805000000	BOLT, TORX 5		
12	1	V805000390	Screw Torx 5.5x16, 10.9, CS-3510AC		
13	1	P100008540	Rear handle with fuel tank, filter + hoses CS-4310SX		
14	1	V470002390	Oil hose, CS-4310SX, 431sx		
15	1	V490001230	CLIP		
16	1	13130056431	VENT ASSEMBLY, FUEL		
17	1	13132840630	COVER, VENT		
18	1	V471002381	Hose, petrol, CS-4310SX, 431sx 3x5x140		
19	1	V186000510	JOINT, PIPE		
20	1	V470001991	FUEL PIPE		
21	1	V490000500	CLIP		
22	1	A369000450	STRAINER, FUEL		
23	1	12318139130	PUMP, PRIMER		
24	1	V470002380	Fuel line vent, CS-4310SX, 431sx		
25	1	V471001281	PIPE		
26	1	C450001101	Throttle, 431sx		
27	1	V452000850	SPRING, TORSION		
28	1	C460000630	Throttle lockout, CS-4310SX		
29	1	C411000270	Cover, handle, rubber, 431sx		
30	1	P100008550	Gas cap, CS-4310SX/CS-7310SX		
31	1	A365000150	Loss protection fuel cap, CS-7310SX		
32	1	90072020029	O-RING 29		
33	1	C400001720	Front handle, CS-4310SX, 431sx		
34	3	V805000140	BOLT, TORX 5		

Illustration handles, petrol tank

Nr.	Antal	Kod	Beskrivning	Bilaga	Anmärkning
35	1	V203002470	screw, 5		

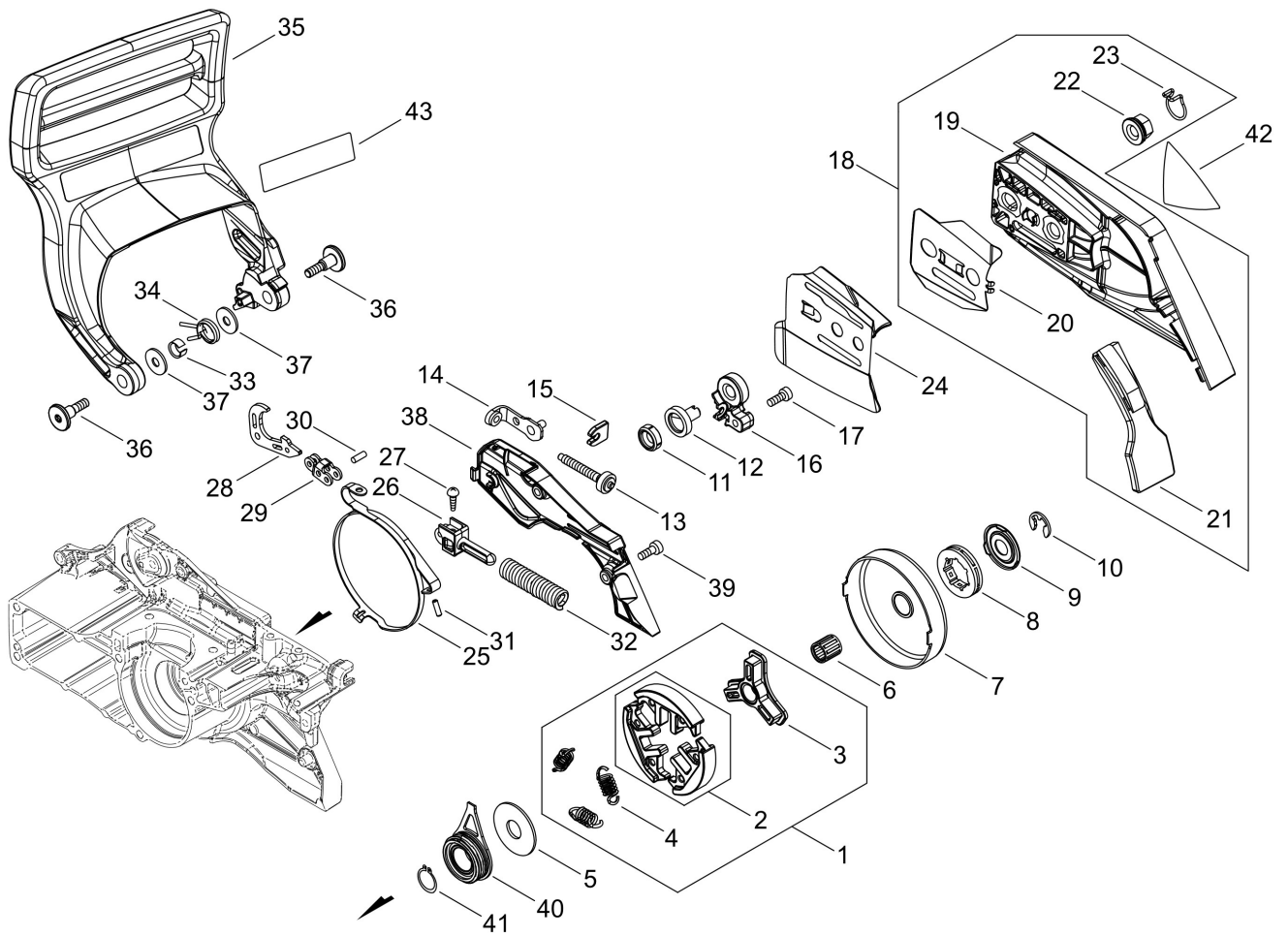


Illustration clutch, chain brake

Nr.	Antal	Kod	Beskrivning	Bilaga	Anmärkningar
1	1	A056000860	Coupling complete, CS-4310SX, 431sx		
2	1	P100008460	Clutch shoes, set (3 pieces) CS-4310SX, 431sx		
3	1	A552000490	Hub, clutch, CS-4310SX, 431sx		
4	3	A566000340	Spring, clutch, CS-4310SX, 431sx		
5	1	A551000200	Disc, clutch CS-4310SX, 431sx		
6	1	V555000150	BEARING,NEEDLE 10		
7	1	A556001860	Clutch drum, CS-4310SX, 431sx SML-7		
8	1	17511412530	SPROCKET, RIM .325		
9	1	V307000520	WASHER,CIRCULAR 10		
10	1	V583000440	E-RING		
11	1	V356000940	Chain tensioning screw guide, CS-7310SX		
12	1	V652000271	Drive, oil pump CS-4310SX, 431sx		
13	1	V203002460	Bolt 5 chain tensioner, CS-7310SX		
14	1	C309000200	Chain tensioner CS-4310SX, 431sx		
15	1	C316000100	Guide, chain tensioning screw, CS-7310SX		
16	1	V355000970	Guide, drive oil pump, CS-4310SX, 431sx		
17	1	V804000050	BOLT, TORX 4		
18	1	P100008480	Rail cover cpl., 431sx		
19	1	C300001180	Sprocket cover, 431sx		
20	1	C305000540	Outer oil baffle, 431sx, CS-4310SX		
21	1	C302000030	PROTECTOR		
22	2	V265000550	NUT,8		
23	2	C649000420	HOOK		
24	1	C305000530	Oil baffle inside, 431sx, CS-4310SX		
25	1	C328000380	Brake band, CS-4310SX, 431sx		
26	1	C334000380	Connector chain brake to brake band, CS-4310SX, 431sx		
27	1	9138104010	BOLT		
28	1	C334000350	Lever brake band CS-501SX, 501SX		
29	1	C334000370	Holder, connector chain brake, CS-4310SX, 431sx		
30	2	9305030098	ROLLER		
31	1	9305030098	ROLLER		
32	1	V450002360	Spring, chain brake CS4310SX, 431sx		
33	1	V355000460	WASHER 4		

Illustration clutch, chain brake

Nr.	Antal	Kod	Beskrivning	Bilaga	Anmärkningar
34	1	V452000860	SPRING, TORSION		
35	1	P100008471	Handle, chain brake, CS-4310SX, 431sx		
36	2	V203002450	Shoulder bolt 5x12, chain brake lever, CS-7310SX		
37	2	V303000290	Washer		
38	1	C345000700	Cover, chain brake CS-4310SX		
39	2	V804000050	BOLT, TORX 4		
40	1	V652000260	Drive, oil pump CS-4310SX, 431sx		
41	1	90070100015	Circlip 15		
42	1	X502001300	Sticker "ECHO", CS-4310SX		
43	1	X505010490	Caution sticker		

Illustration crankcase, engine cover

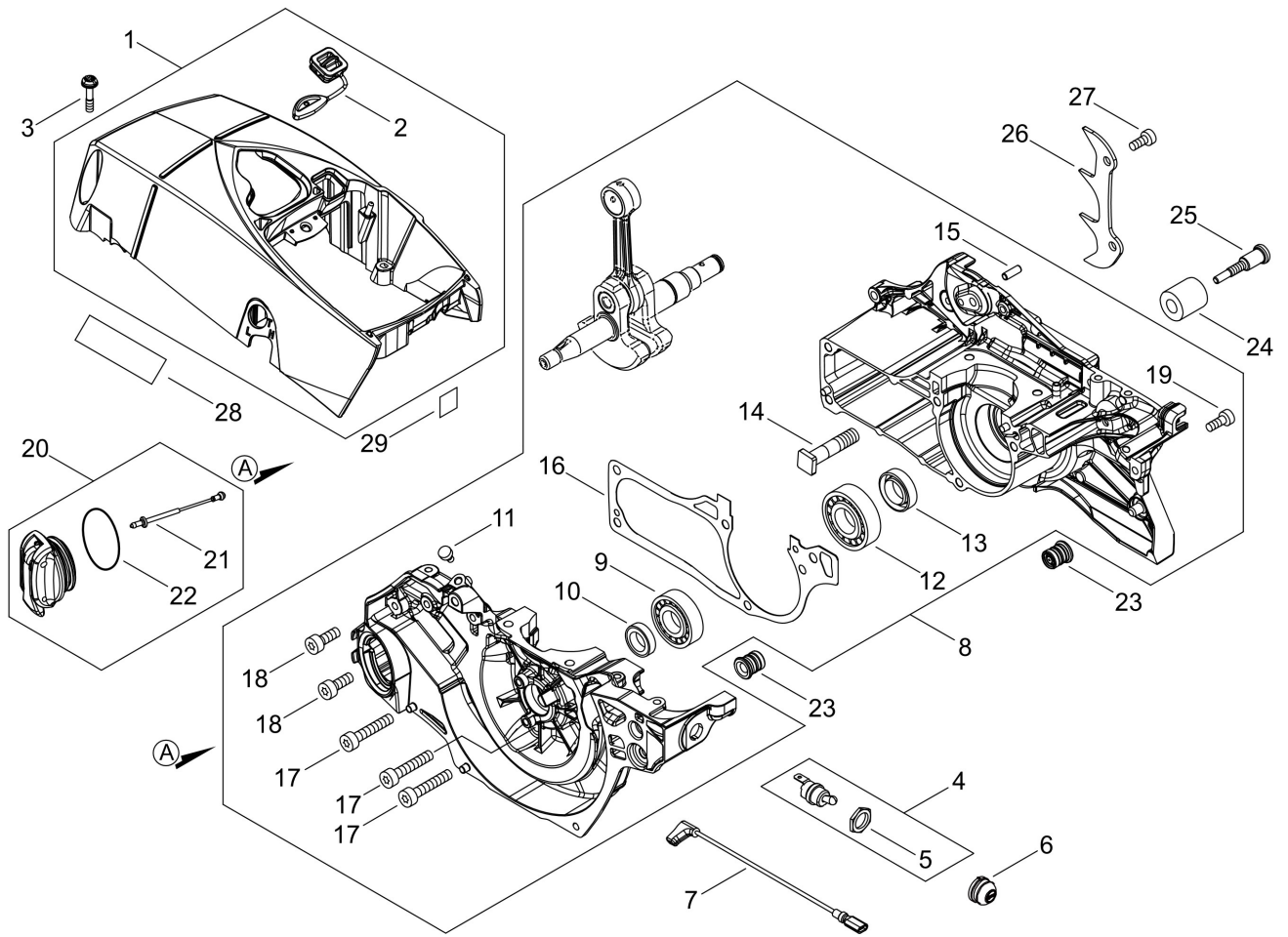


Illustration crankcase, engine cover

Nr.	Antal	Kod	Beskrivning	Bilaga	Anmärkningar
1	1	P100008501	Engine cover, CS-4310SX		
2	1	A219000080	Shutter, air supply, 431sx		
3	3	V202000780	Screw M4x18, 12.9		
4	1	P100011170	Stop switch, 431sx		
5	1	V266000260	Nut, M10x0.75		
6	1	V494001250	cap, stop switch		
7	1	V485003410	cable, 431sx		
8	1	P100011190	Crankcase complete, CS-4310SX		
9	1	9403536201	BEARING BALL		
10	1	V505000070	OIL SEAL		
11	1	A356000130	VALVE,CHECK		
12	1	V592000290	BEARING, BALL		
13	1	V508000070	OIL SEAL		
14	2	43301119831	BOLT		
15	2	V629000000	ROLLER		
16	1	V102000340	Gasket crankcase 431sx		
17	3	V805000180	BOLT, TORX 5		
18	2	V805000250	BOLT, TORX 5		
19	1	V804000100	BOLT, TORX 4		
20	1	P100008410	Gas cap oil, CS-4310SX/CS-7310SX		
21	1	A365000150	Loss protection fuel cap, CS-7310SX		
22	1	90072020029	O-RING 29		
23	2	V420005550	Damper 431sx		
24	1	C310000110	CATCHER, CHAIN		
25	1	V203002480	Bolt, 5, chain stop pin, CS-4310SX		
26	1	C304000140	SPIKE		
27	2	V805000300	BOLT, TORX 5		
28	1	X502000390	LABEL,ECHO		
29	1	X510001310	Sticker switch, 431sx		

Illustration AIR CLEANER

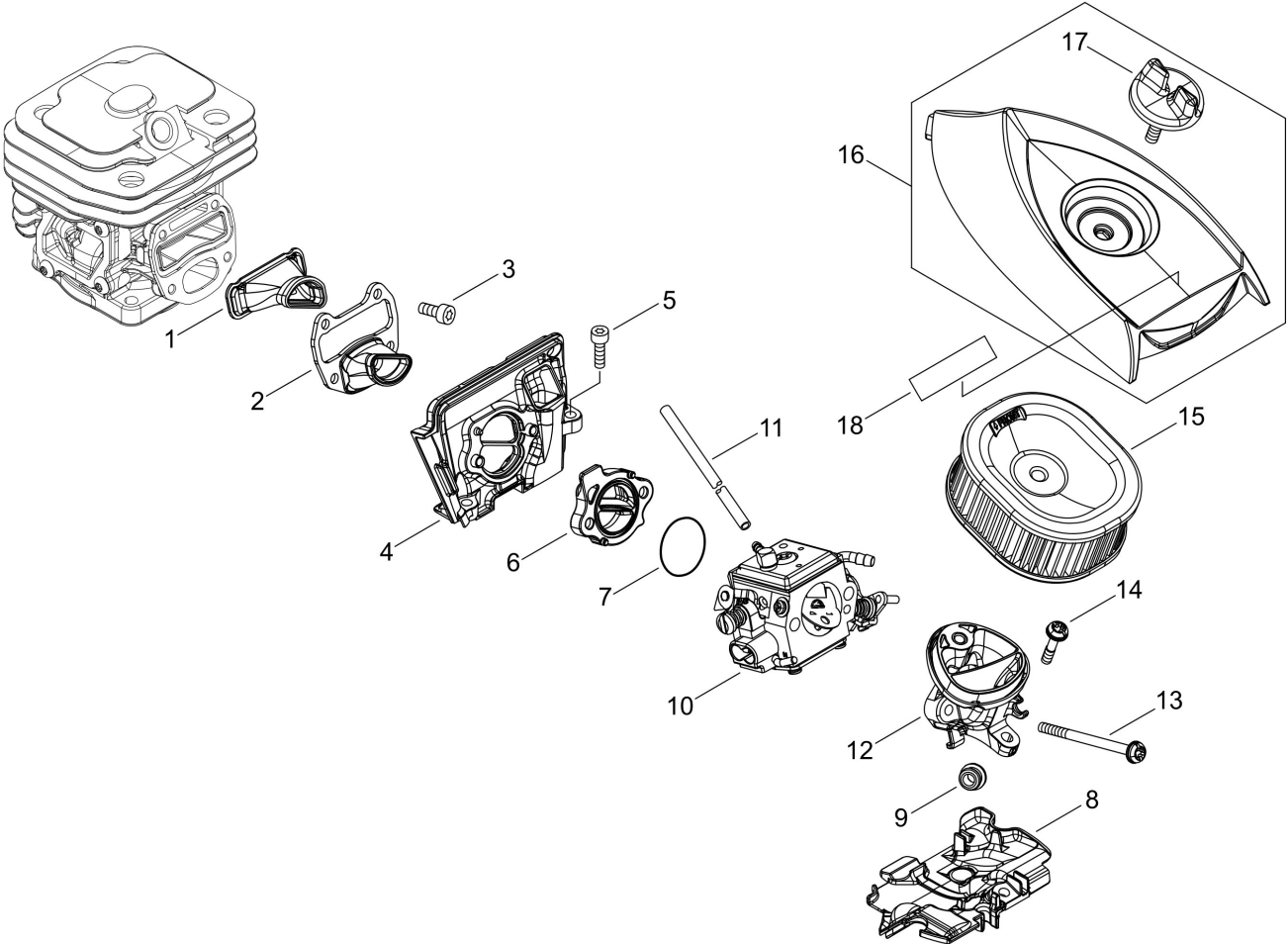


Illustration AIR CLEANER

Nr.	Antal	Kod	Beskrivning	Bilaga	Anmärkningar
1	1	A202000340	Flange, cylinder carburettor, 431sx		
2	1	A202000350	Flange, cylinder carburettor, 431sx		
3	4	V804000050	BOLT, TORX 4		
4	1	A200001240	Adapter flange cylinder side, 431sx		
5	2	V804000100	BOLT, TORX 4		
6	1	A200001250	Intermediate flange carburetor side, 431sx		
7	1	90072400022	O-RING S-22		
8	1	A127000570	Dust cover, 431sx		
9	1	13211501462	Gas tank sealing ring, CS-310ES/CS-352ES/CS-3510ES/DCS-2500T/ES-255ES/PPT-2620 ES		
10	1	A021005350	Carburettor 431sx		
11	1	43721632631	Pipe		
12	1	A204000270	Intake manifold 431sx		
13	2	V202000790	Screw, M4x55, carburetor CS-7310SX		
14	1	V202000780	Screw M4x18, 12.9		
15	1	A226002330	Air filter, CS-4310SX/431sx		
16	1	P100008520	Air filter cover, CS-4310SX		
17	1	A235000490	Thumbscrew air cleaner cover, 431sx		
18	1	X503016030	Sticker, model 431sx		

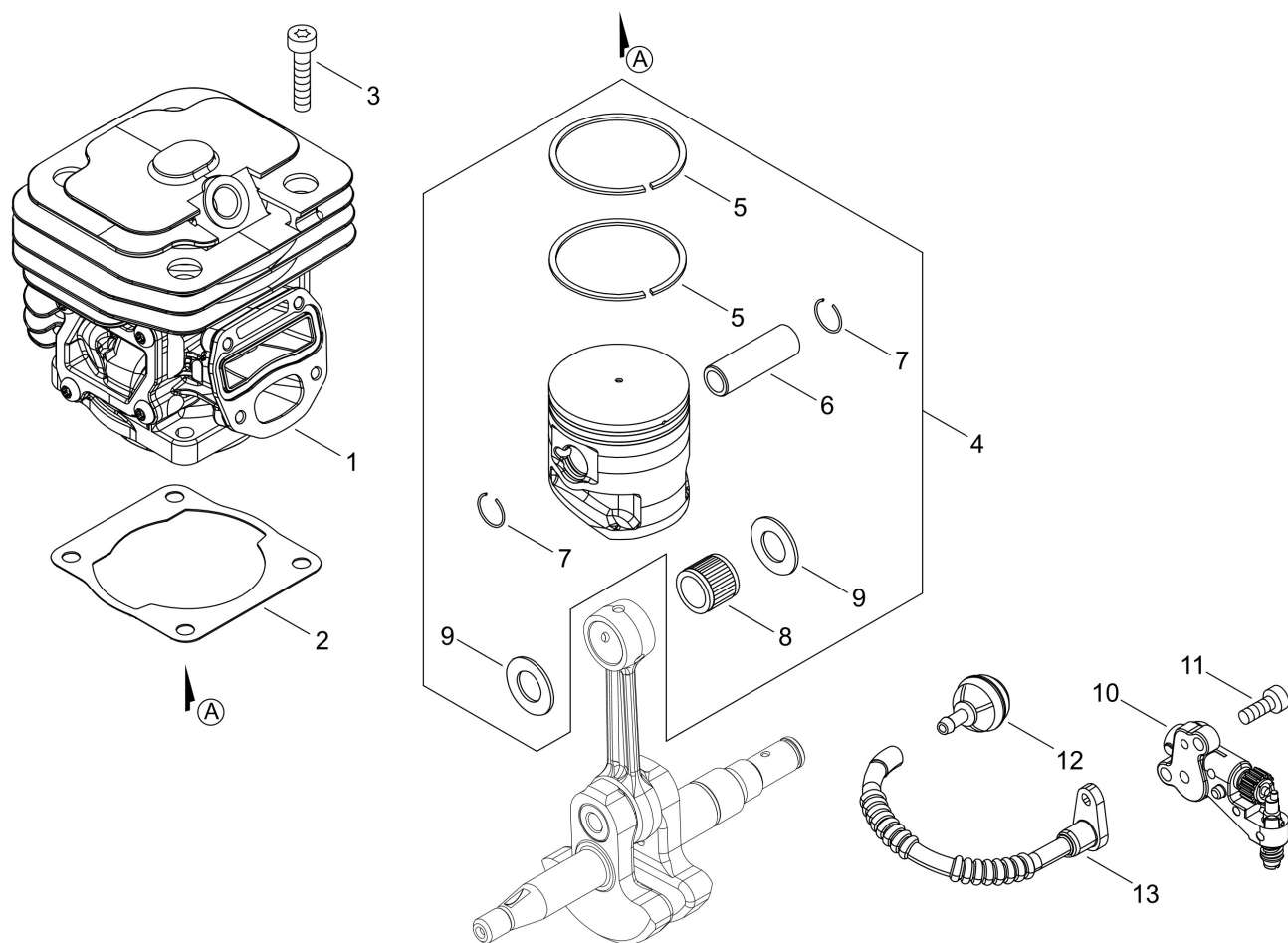


Illustration engine, oil pump

Nr.	Antal	Kod	Beskrivning	Bilaga	Anmärkningar
1	1	P100008310	Cylinder, 431sx		
2	1	V100000890	Gasket, cylinder, 431sx		
3	4	V805000210	BOLT, TORX 5		
4	1	P100008320	Piston complete, 431sx		
5	2	A101000800	Piston ring, 431sx		
6	1	10001339730	Pin, Piston		
7	2	V580000110	SNAP RING		
8	1	V555000140	BEARING, NEEDLE		
9	2	10001402260	Spacer, 431sx		
10	1	C022000121	AUTO-OILER ASSEMBLY		
11	2	V804000050	BOLT, TORX 4		
12	1	43620514730	STRAINER, OIL		
13	1	V470002370	Oil hose, CS-7310SX		

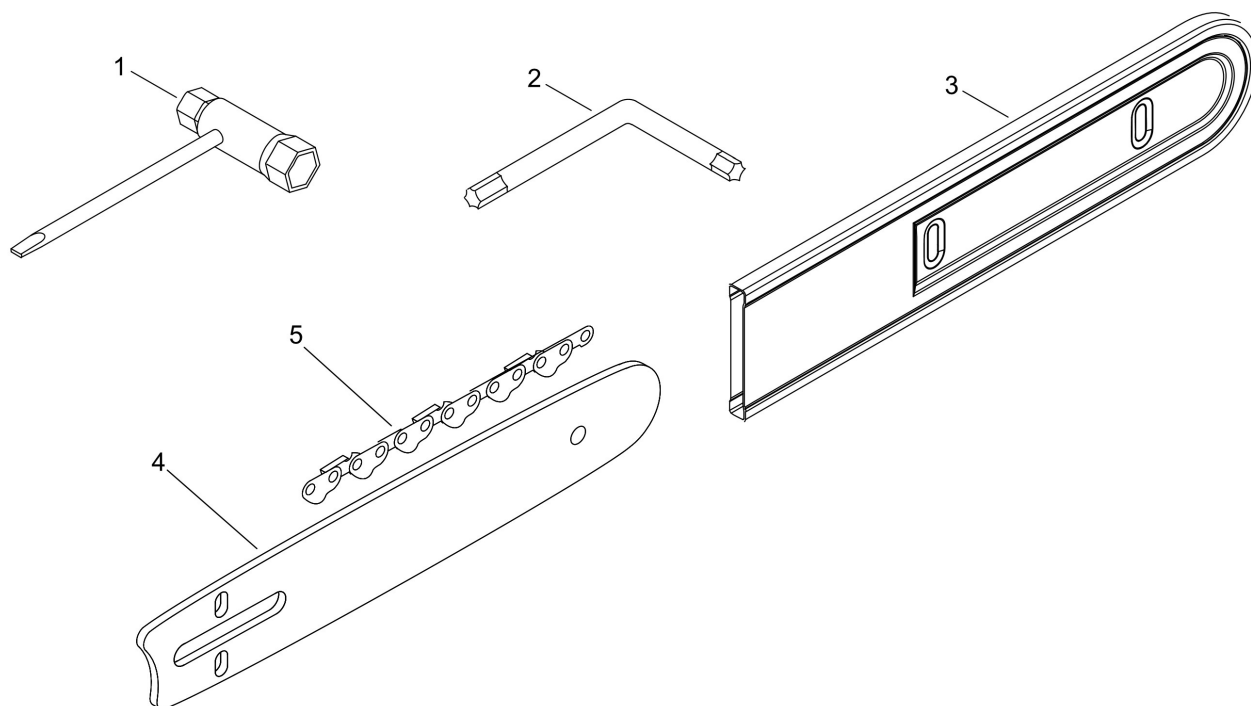


Illustration cutting set, tool

Nr.	Antal	Kod	Beskrivning	Bilaga	Anmärkningar
1	1	X602000160	PLUG WRENCH		
2	1	X605000190	TOOL, L WRENCH		
3	1	X490000570	Rail protection ECHO, 40 cm, with cord		
4	1	S-40R20-50-325	Chain guide 40cm, ECHO, ultralight 68 drive links (1.3) 325"		
4	1	S-45R20-50-325	Chain bar 45cm, CS-4310SX 72 drive links (1.3) 325"		
5	1	KE-4013-3268	Saw chain 40 cm, 95TXL, 1.3 mm 68 drive links, pitch .325		
5	1	KE-4513-3272	Saw chain 45 cm, 95TXL 72 drive links, pitch .325		

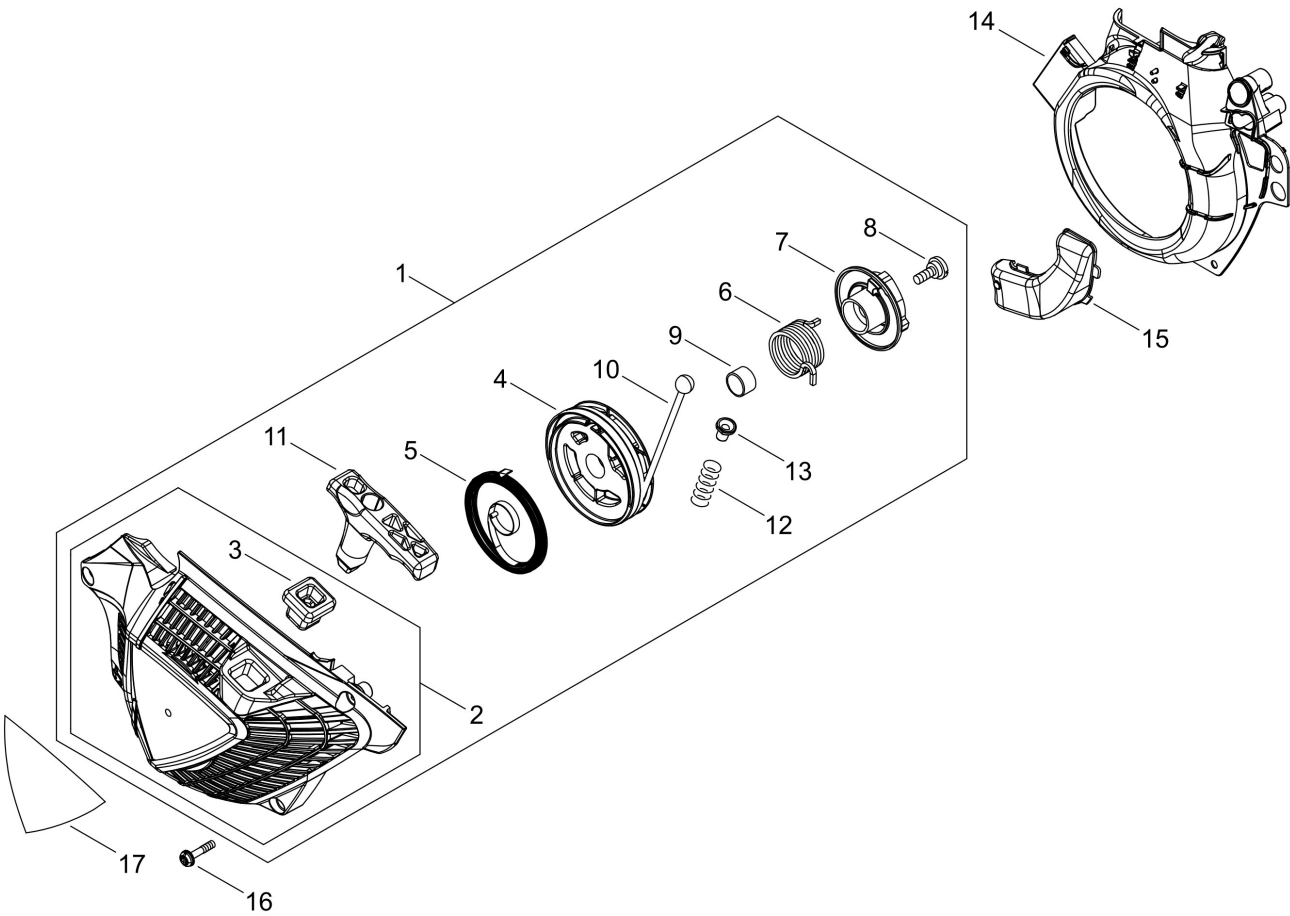


Illustration Starter, Assy

Nr.	Antal	Kod	Beskrivning	Bilaga	Anmärkningar
1	1	A051003480	Starter, complete, CS-4310SX/431sx	TI_Y2022-741	
2	1	P022054810	Housing, starter 431sx		
3	1	P022054830	Cable guide, 431sx		
4	1	P022054840	Sheave, 431sx		
5	1	P022054850	Spring, Starter, CS-4310SX, 431sx	TI_Y2022-741	
6	1	P022054860	Spring, Damper, Starter, CS-4310SX, 431sx		
7	1	P022054870	Starter pawl, CS-4310SX, 431sx		
8	1	17723661830	SCREW		
9	1	P022054890	Spacer sleeve, starter		
10	1	P022054900	Starter rope, CS-4310SX, 431sx		
11	1	P022036780	GRIP, STARTER		
12	1	V450001170	SPRING, COMPRESSION		
13	1	V376001400	SPACER		
14	1	A172003610	Cover, flywheel CS-4310SX, 431sx		
15	1	A161000410	Air duct CS-4310ES, 431s		
16	3	V202000780	Screw M4x18, 12.9		
17	1	X547003790	Sticker ECHO, CS-4310SX		

Illustration CARBURETOR

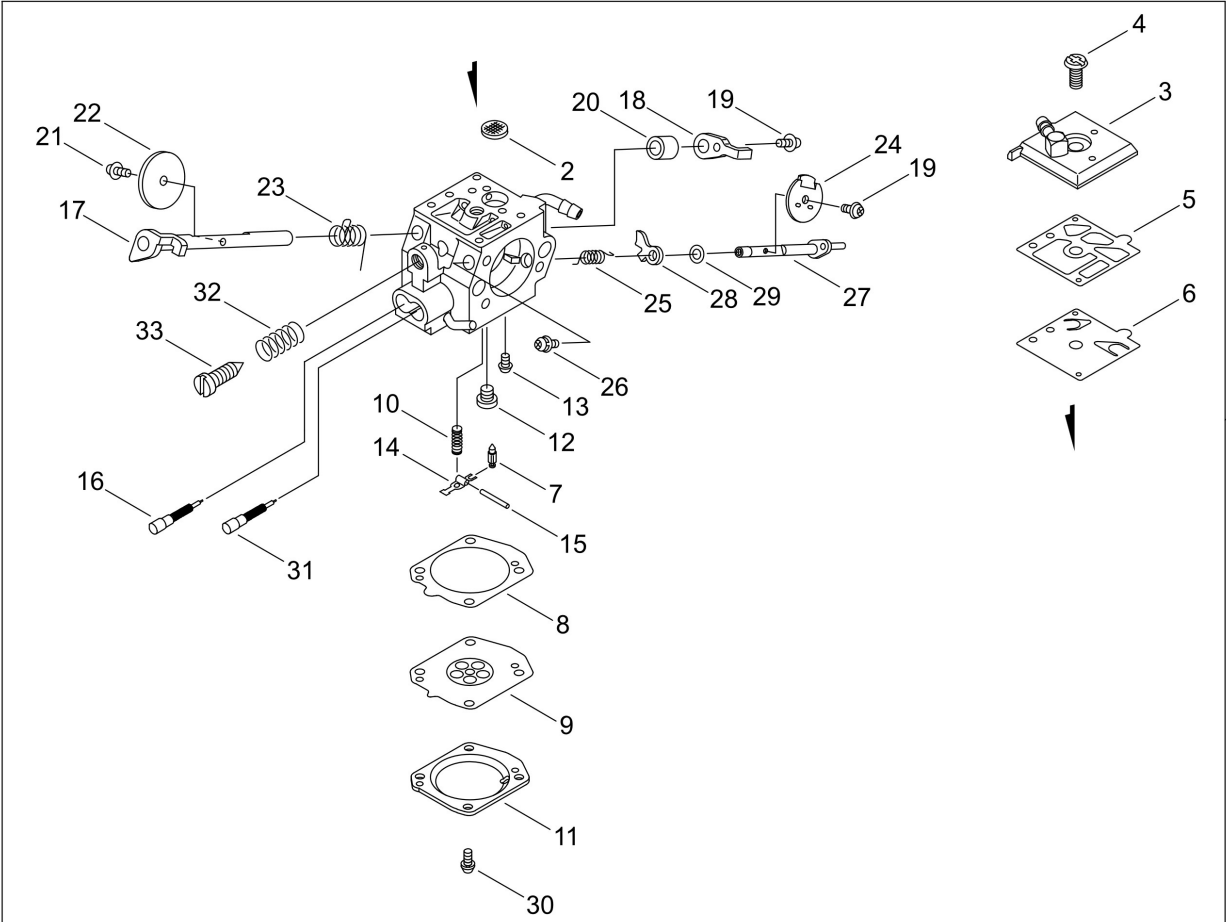


Illustration CARBURETOR

Nr.	Antal	Kod	Beskrivning	Bilaga	Anmärkningar
1	1	A021005350	Carburettor 431sx		
2	1	12312610631	SCREEN, INLET		
3	1	P003006320	Cover, carburetor pump side, 341sx		
4	1	12311016130	BOLT		
5	1	12312512330	GASKET, FUEL PUMP		
6	1	12311212330	DIAPHRAGM, FUEL PUMP		
7	1	12313719830	VALVE, INLET NEEDLE		
8	1	12314016130	GASKET, M. DIAPHRAGM		
9	1	P003006330	Diaphragm, carburetor 431sx		
10	1	12312239830	Spring		
11	1	P003006340	Cover, carburetor 341sx		
12	1	12314610631	PLUG, WELCH		
13	1	12313903930	SCREW, PUMP COVER		
14	1	12312316130	lever		
15	1	12313803930	PIN,METERING LEVER		
16	1	P003004460	NEEDLE		
17	1	P003006350	Shaft Throttle Carburettor, 431sx		
18	1	P003006360	Throttle lever (carburetor), 431sx		
19	2	12311438830	SCREW		
20	1	P003002910	COLLAR		
21	1	P003002380	BOLT		
22	1	P003006370	Throttle body, 431sx		
23	1	P003006380	Spring, carburetor 431sx		
24	1	P003006390	Needle valve, carburetor 431sx		
25	1	P003006400	Spring, carburetor 431sx		
26	1	P003006410	Screw, carburetor 431sx		
27	1	P003006420	Shaft choke valve carburettor, 431sx		
28	1	P003006430	Stop idle adjustment, 431sx		
29	1	12314926030	WASHER		
30	4	12313002960	SCREW		
31	1	P003006520	Adjusting needle, carburetor, 431sx		
32	1	12313304260	SPRING, IDLE ADJUST		
33	1	P003003650	IDEL SCREW		

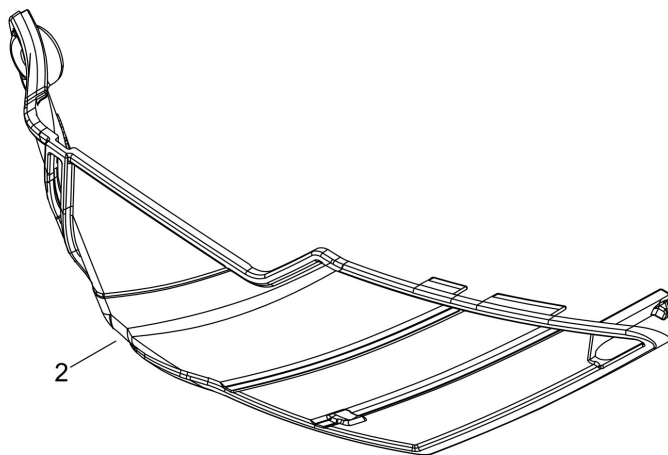
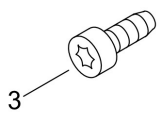
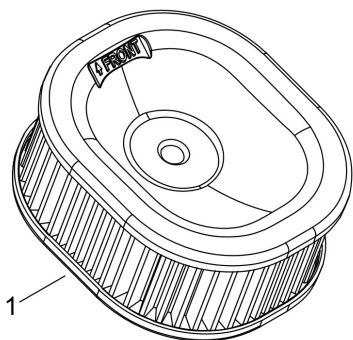


Illustration Accesories

Nr.	Antal	Kod	Beskrivning	Bilaga	Anmärkningar
1	1	A226002320	Air filter, winter insert CS-4310SX, 431sx		
2	1	C418000160	Cover for winter use, CS-4310SX, 431sx		
3	1	V804000000	BOLT, TORX 4		

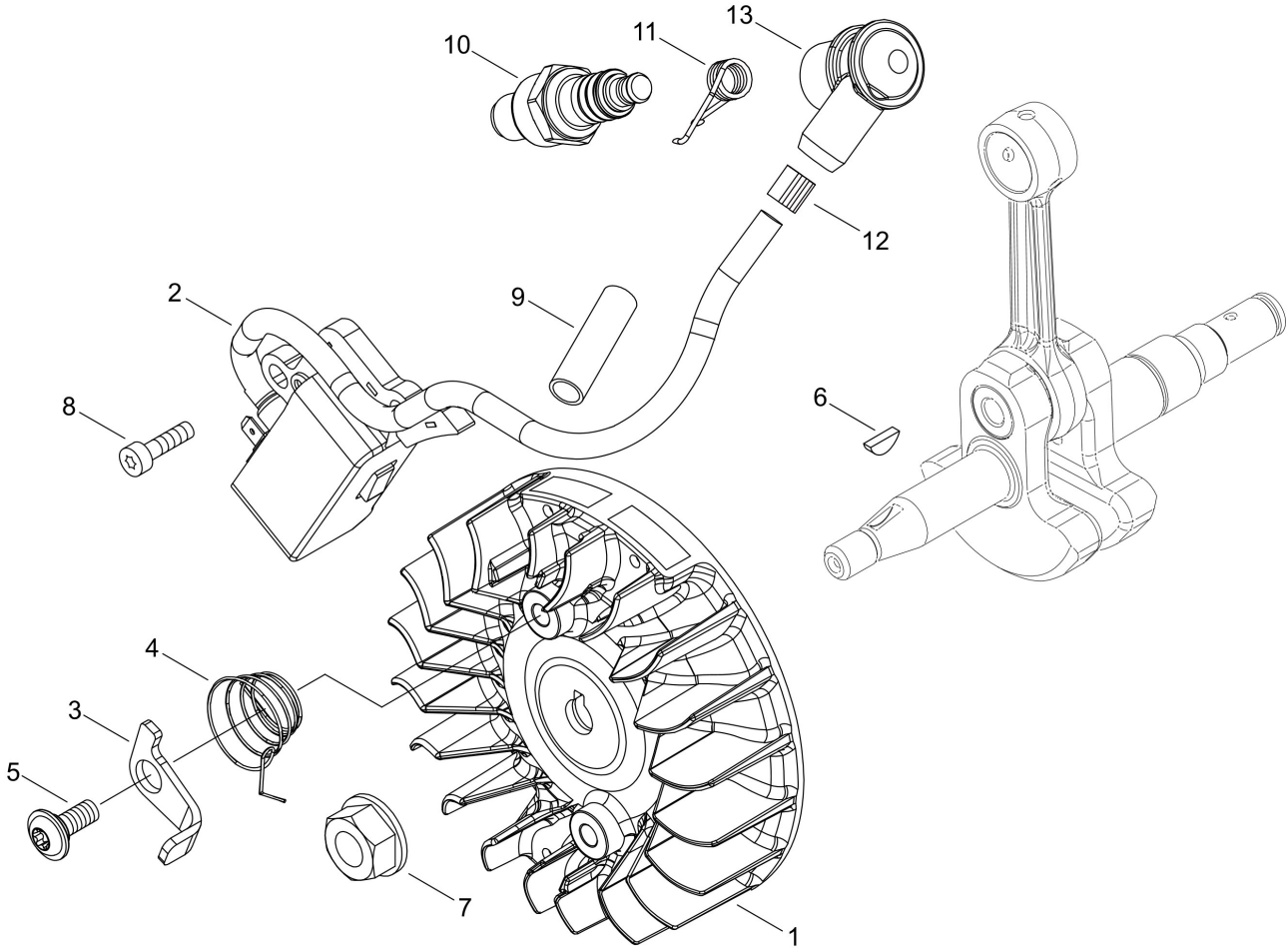


Illustration ignition

Nr.	Antal	Kod	Beskrivning	Bilaga	Anmärknningar
1	1	A409001390	Flywheel 431sx		
2	1	P100011180	Ignition coil, CS-4310SX/431sx		
3	2	A514000220	PAWL		
4	2	V452000870	SPRING, TORSION		
5	2	V203002250	BOLT, 5		
6	1	60-93115-03010	KEY		
7	1	90051500008	NUT,FLANGE 8		
8	2	V804000100	BOLT, TORX 4		
9	1	V475009850	Grommet, ignition cable 431sx L=210		
10	1	A425000060	SPARKPLUG		
11	1	A426000050	SPRING SPARK PLUG		
12	1	V495003900	Tape CS-7310SX		
13	1	A427000190	CAP, SPARK PLUG		