

DCS-310**Dokumenten**

DCS-310

charger and batteries

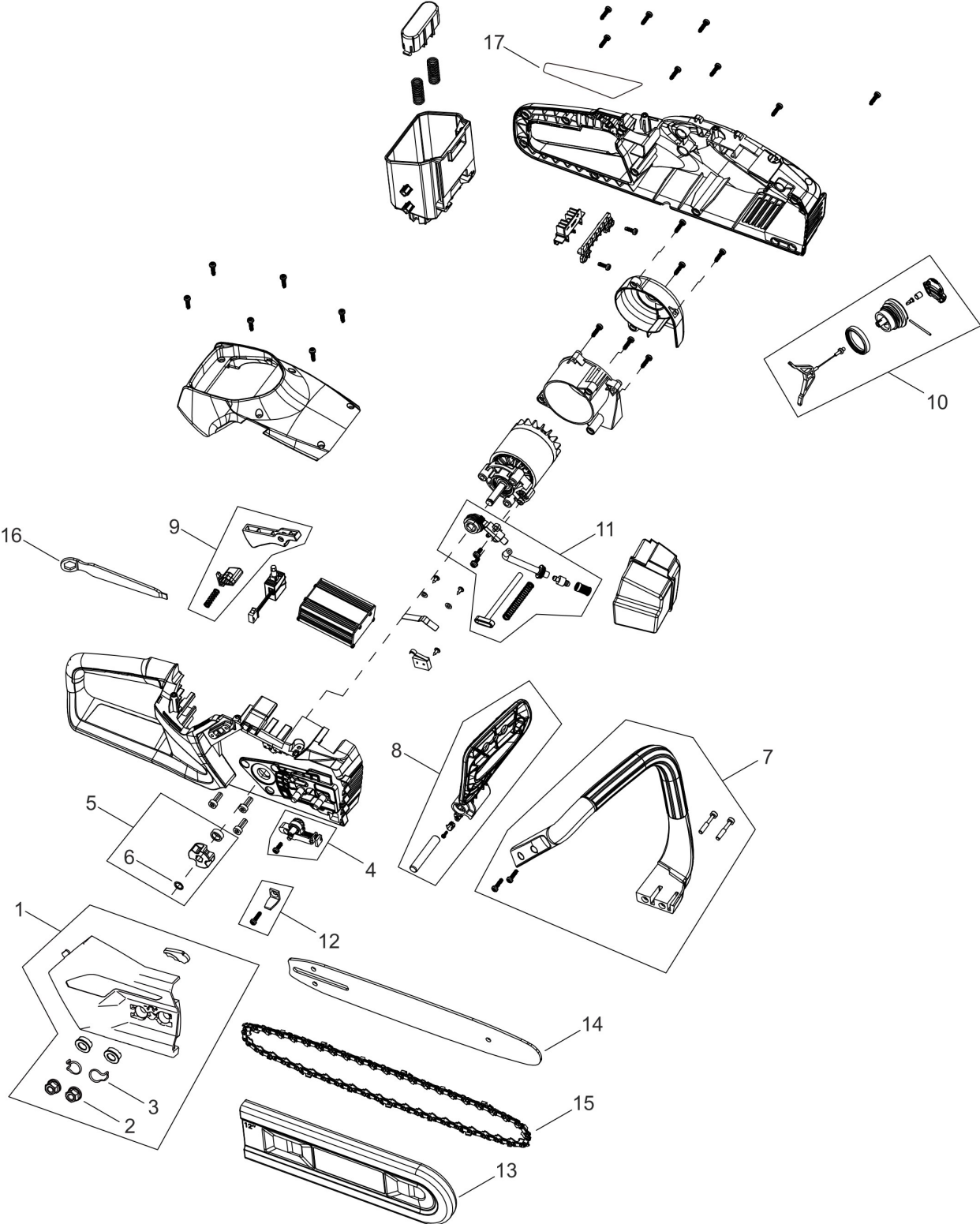
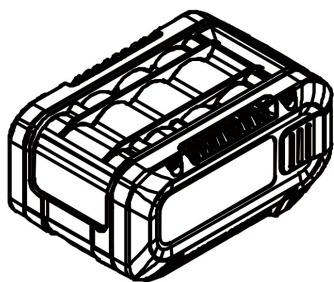
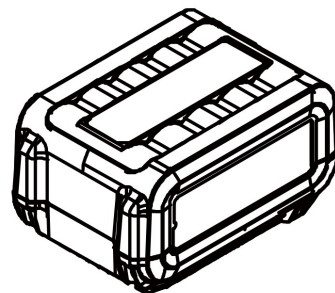


Illustration DCS-310

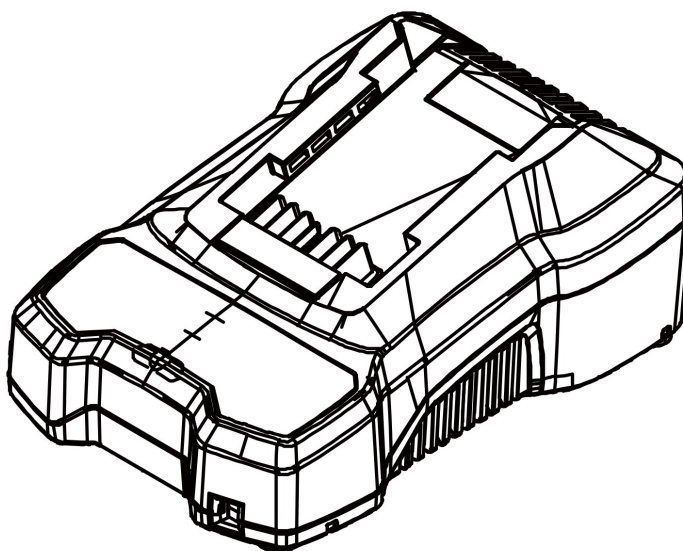
Nr.	Antal	Kod	Beskrivning	Bilaga	Anmärkningar
1	1	P022061530	Sprocket cover with nuts, DCS-310		
2	2	V265000550	NUT,8		
3	2	C649000420	HOOK		
4	1	P022061550	Chain tensioner complete, DCS-310		
5	1	P022061560	Sprocket complete, DCS-310		
6	1	P022062180	Circlip sprocket DCS-310		
7	1	P022061570	Front handle assembly, DCS-310		
8	1	P022061580	Brake lever complete, DCS-310		
9	1	P022061590	Throttle complete, DCS-310		
10	1	P022061600	Oil tank cap complete, DCS-310		
11	1	P022061610	Oil pump complete, DCS-310		
12	1	P022061620	Chain catch pin cpl., DCS-310		
13	1	P022061630	Chain Guard, DCS-310		
14	1	X122000520	Chain rail DCS-310		
15	1	X222000150	Saw chain DCS-310, 1.1 mm drive link thickness, 3/8 Hobby, 45 drive links		
16	1	P022061640	Tool, DCS-310		
17	1	P022061650	Caution sticker, DCS-310		



1



2



3

Illustration charger and batteries

Nr.	Antal	Kod	Beskrivning	Bilaga	Anmärkningar
1	1	LBP-36-150	Battery 4Ah, 40V		
2	1	LBP-36-80	Battery 2Ah, 40V		
3	1	LC-3604	Fast charger, 40V		