

DTT-2100 (E80345000001-)

Dokumenten

01_MOTOR

02_GEAR_CASE

03_MAIN_PIPE_HANDLE

04_CUTTING_BLADE

05_ACCESSORIES

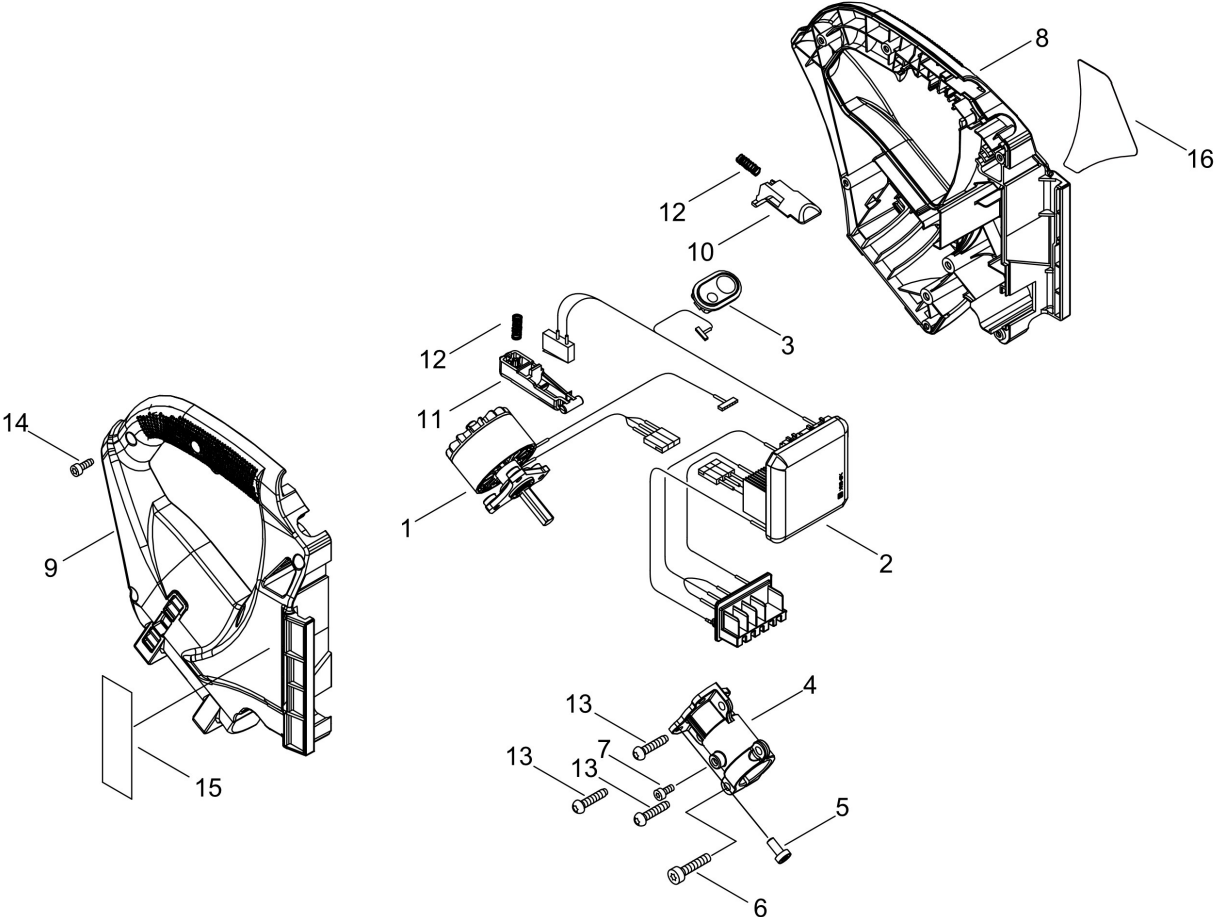


Illustration 01_MOTOR

Nr.	Antal	Kod	Beskrivning	Bilaga	Anmärkningar
1	1	A054-000350	MOTOR,ASM		AE4920 6.8 SQ.
2	1	A047-000550	BOARD,ASM CONTROL		
3	1	A047-000430	SWITCH -C81535019733		
4	1	A575-000800	FIXTURE, MAIN PIPE		
5	3	V805-000140	BOLT, TORX 5		TB-5*12 10.9
6	1	V805-000170	BOLT, TORX 5		TB-5*25 10.9
7	1	V805-000130	BOLT, TORX 5		TB-5*10 10.9
8	1	A539-000500	COVER,MOTOR		LEFT
9	1	A539-000510	COVER,MOTOR		RIGHT
10	1	C490-000040	LOCKOUT		
11	1	J361-000820	LEVER		
12	2	V450-002490	SPRING,COMPRESSION		
13	3	V805-000010	BOLT, TORX 5		TT-5*20 DG 10.9
14	7	V804-000160	"BOLT, TORX 4"		TT-P 4*12
15	1	X502-000390	LABEL,ECHO		ECHO 72.5*15
16	1	X503-016500	LABEL,MODEL		DTT-2100

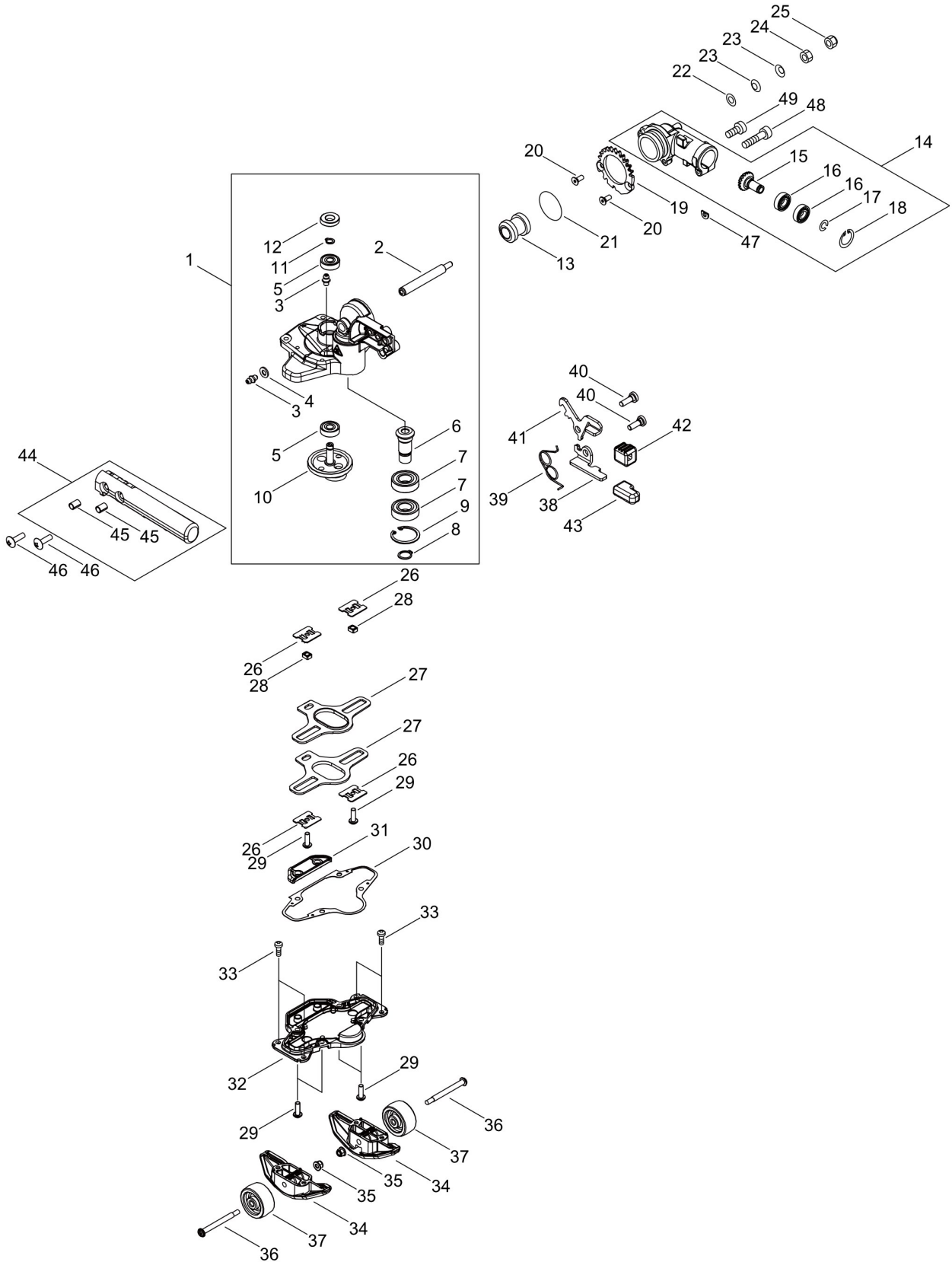


Illustration 02_GEAR_CASE

Nr.	Antal	Kod	Beskrivning	Bilaga	Anmärkningar
1	1	P100-011760	CASE ASY, GEAR		
2	1	C534-001010	SHAFT, GEAR		10 M6-M6
3	2	V187-000080	GREASE NIPPLE		
4	1	900603-00006	WASHER		6
5	2	900804-00608	BEARING, BALL		608ZZ
6	1	V655-000090	SHAFT,PINION		
7	2	900804-06002	BEARING, BALL		6002ZZ
8	1	900701-00014	RETAINING RING		CS-14
9	1	900702-00032	RETAINING RING		CR-32
10	1	V060-000150	GEAR,SPUR		
11	1	92423-08000	RETAINING RING		CS-8
12	1	V500-000090	SEAL,OIL		MH8225
13	1	P021-047570	GEAR,BEVEL SET		
14	1	P100-011770	CASE ASY, GEAR		
15	1	V651-001000	GEAR,BEVEL		
16	2	900859-06901	BEARING, BALL		6901ZZ
17	1	900706-00012	RETAINING RING		WR-12
18	1	900702-00024	RETAINING RING		CR-24
19	1	C465-000030	RESETTER, LATCH		
20	2	900175-05012	BOLT HSH 35001957-		5*12
21	1	900724-00035	O-RING		S-35
22	1	900603-00006	WASHER		6
23	2	V347-000030	CONE WASHER		
24	1	900502-00006	NUT		6
25	1	900560-00006	NUT, LOCK		6
26	4	C628-000410	PIECE, PLATE		T1.0
27	2	C532-000690	ROD, CONNECTING		T2.0
28	2	V353-000730	COLLAR,5		9*7.45*4.3
29	6	V835-000000	BOLT, TORX 5		TB-5*16 ALL 10.9
30	1	V110-000250	GASKET,GEAR CASE		T1.0
31	1	V541-000820	SEAL		
32	1	C539-000220	LID,GEARCASE		
33	4	V805-000000	BOLT, TORX 5		TT-5*16 DG 10.9
34	2	J447-002070	GUARD		
35	2	92108-05000	NUT, FLANGE		5
36	2	C710-000150	SHAFT,AXLE		M5
37	2	C730-000160	WHEEL		NM-40
38	1	C661-000080	SAFTY LEVER		
39	1	V452-000710	COIL SPRING		
40	2	V204-000580	BOLT,6		
41	1	C661-000150	LEVER, RELEASE		T3.2
42	1	V494-000880	CAP		
43	1	V494-000891	CAP		
44	1	C403-000480	HANDLE		

Illustration 02_GEAR_CASE

Nr.	Antal	Kod	Beskrivning	Bilaga	Anmärkning
45	2	V354-000320	COLLAR		
46	2	91463-06020	SCREW		6*20
47	1	V340-000300	SHIM		
48	1	V805-000170	BOLT, TORX 5		TB-5*25 10.9
49	1	V805-000130	BOLT, TORX 5		TB-5*10 10.9

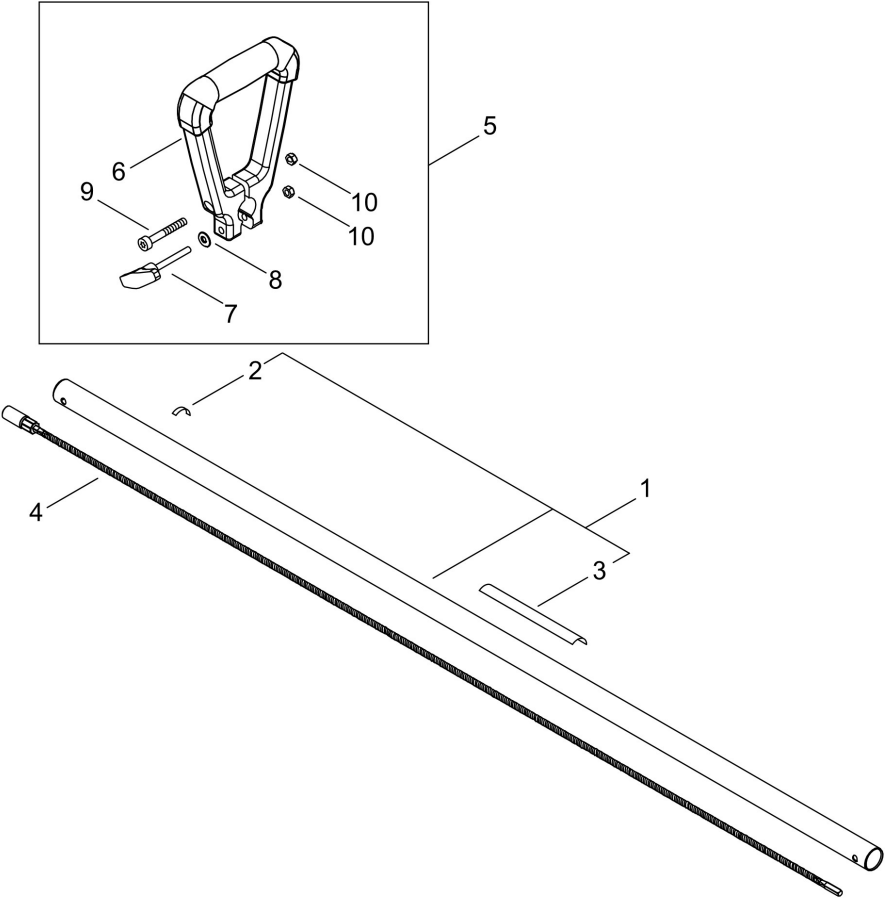


Illustration 03_MAIN_PIPE_HANDLE

Nr.	Antal	Kod	Beskrivning	Bilaga	Anmärkning
1	1	P200-001710	MAIN PIPE ASY		
2	1	890152-04930	LABEL, CAUTION		
3	1	X505-011900	LABEL,CAUTION		
4	1	C506-000820	SHAFT, FLEXIBLE		L=1330
5	1	P100-011791	HANDLE ASY		
6	1	C040-000450	HANDLE		
7	1	V299-000380	KNOB		
8	1	V304-000160	WASHER		
9	1	V806-000140	BOLT, TORX 6		TB-6*45 12.9
10	2	900500-00006	NUT		6

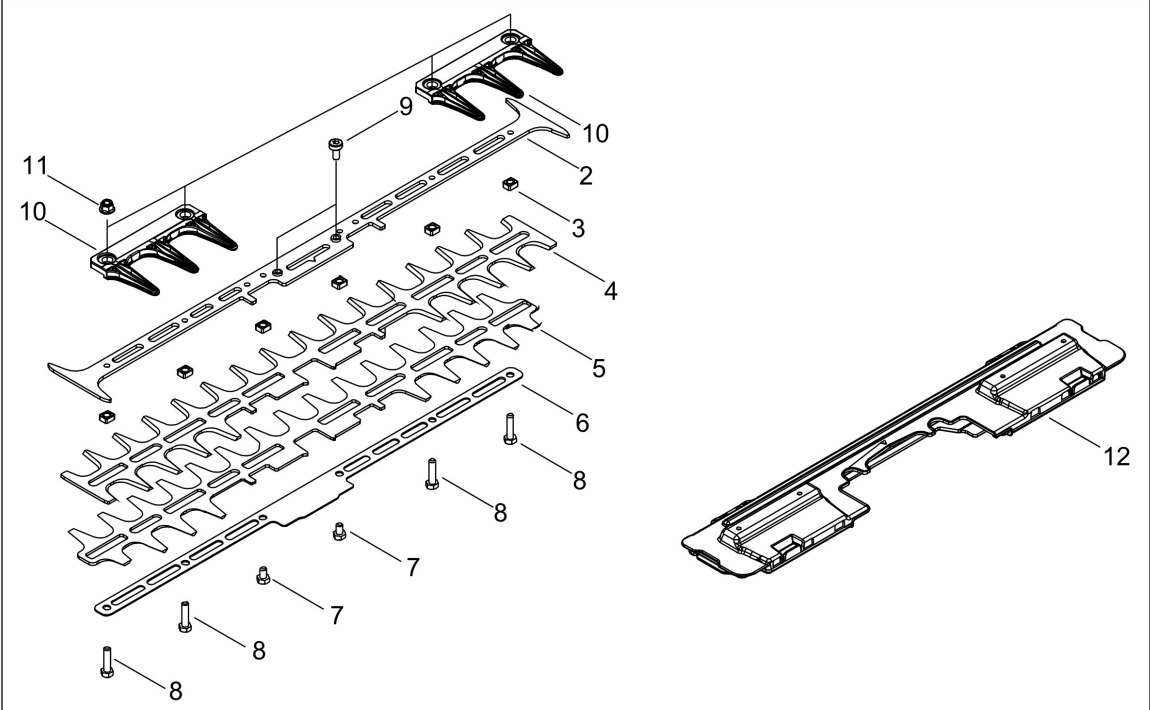
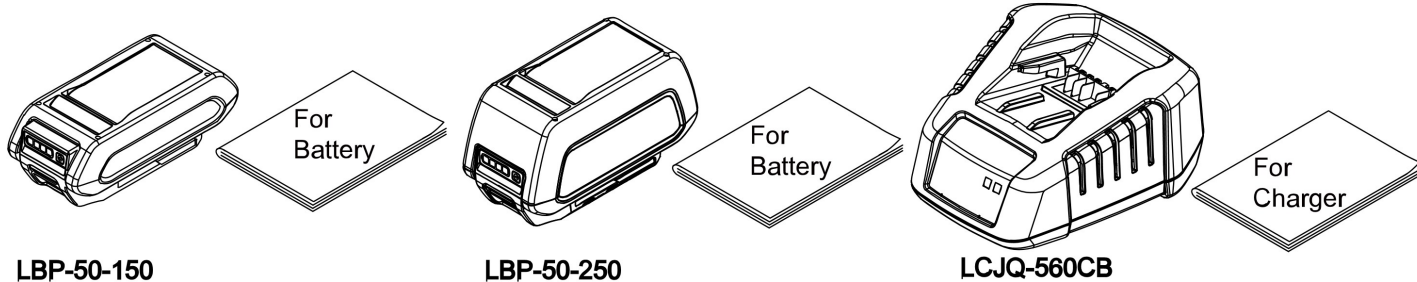


Illustration 04_CUTTING_BLADE

Nr.	Antal	Kod	Beskrivning	Bilaga	Anmärkningar
1	1	P200-001520	CUTTER,ASM		
2	1	X425-001190	SUPPORT,CUTTER		T2.5
3	6	V353-000730	COLLAR,5		9*7.45*4.3
4	1	X411-001380	CUTTER		
5	1	X411-001390	CUTTER		
6	1	X425-001200	SUPPORT,CUTTER		T1.0
7	2	V203-002600	BOLT,5		M5*8 10.9
8	4	91049-05020	BOLT		5*20
9	2	V805-000130	BOLT, TORX 5		TB-5*10 10.9
10	2	X431-000270	BLUNT		
11	4	92108-05000	NUT, FLANGE		5
12	1	X495-001070	SCABBARD,BLADE		



* Batteries and charger are handle as accessories instead of spare parts. Please place an order of batteries and charger at the same time as unit order.

Illustration 05_ACCESSORIES

Nr.	Antal	Kod	Beskrivning	Bilaga	Anmärkningar
1	1	X605-000170	TOOL,L WRENCH		
2	1	895410-03930	WRENCH, W/S. DRIVER		