

DHC-310



Dokumenten

DHC-310

charger and batteries

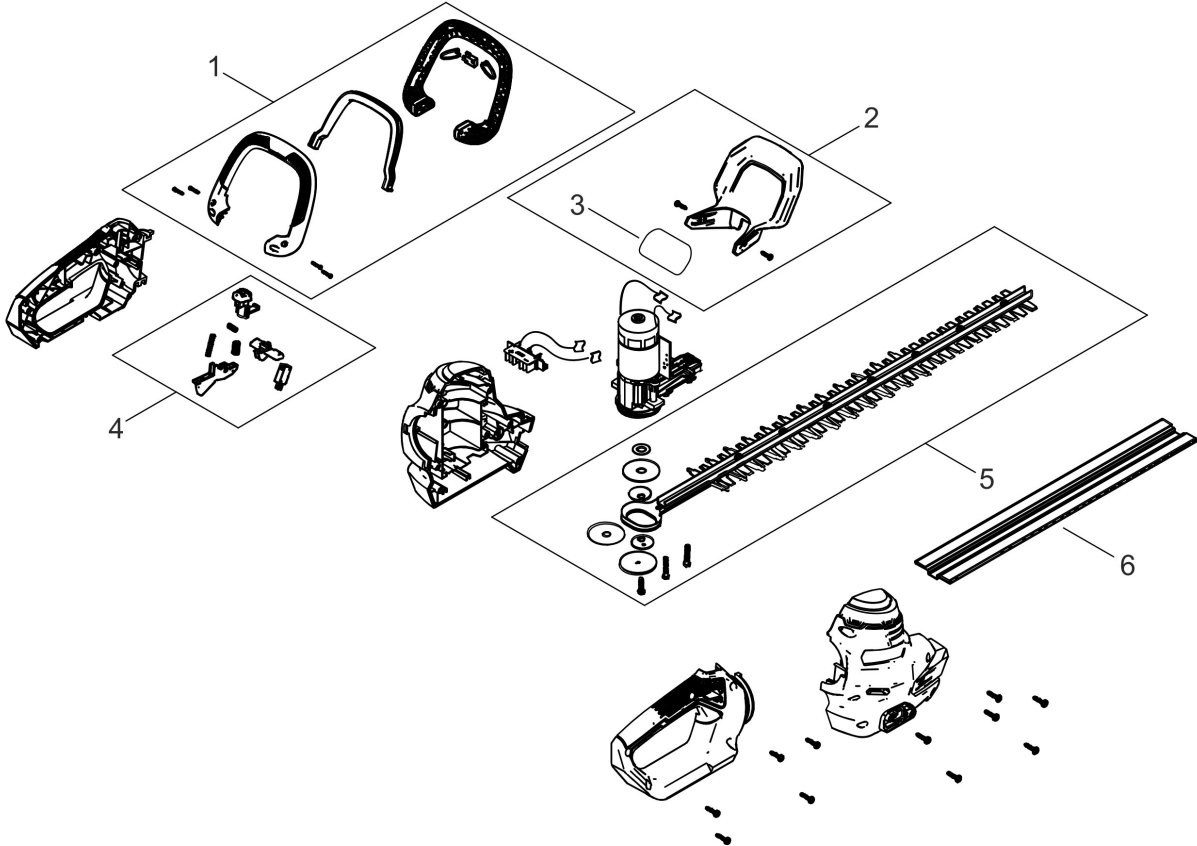
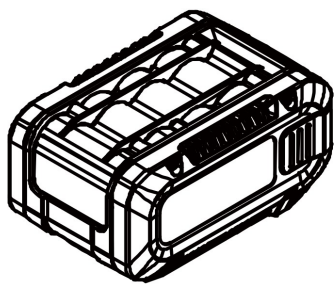
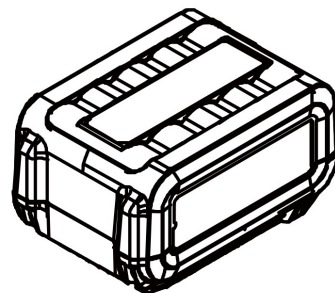


Illustration DHC-310

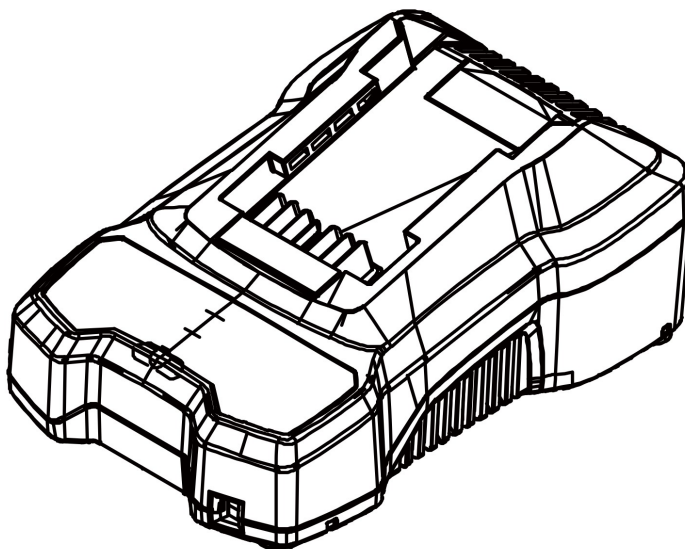
Nr.	Antal	Kod	Beskrivning	Bilaga	Anmärkningar
1	1	P022061080	Front handle, DHC-310		
2	1	P022061720	Protection cpl., handle, DHC-310		
3	1	P022061760	Caution sticker, DHC-310		
4	1	P022061730	Throttle complete, DHC-310		
5	1	P022061740	Knife set complete, DHC-310		
6	1	P022061750	Knife guard, DHC-310		



1



2



3

Illustration charger and batteries

Nr.	Antal	Kod	Beskrivning	Bilaga	Anmärkningar
1	1	LBP-36-150	Battery 4Ah, 40V		
2	1	LBP-36-80	Battery 2Ah, 40V		
3	1	LC-3604	Fast charger, 40V		