

DHCS-2800 (E8094500001-)**Dokumenten**

01_MOTOR_GEAR_CASE

02_CUTTING_BLADE

03_HANDLE

04_CONTROL

05_ACCESSORIES

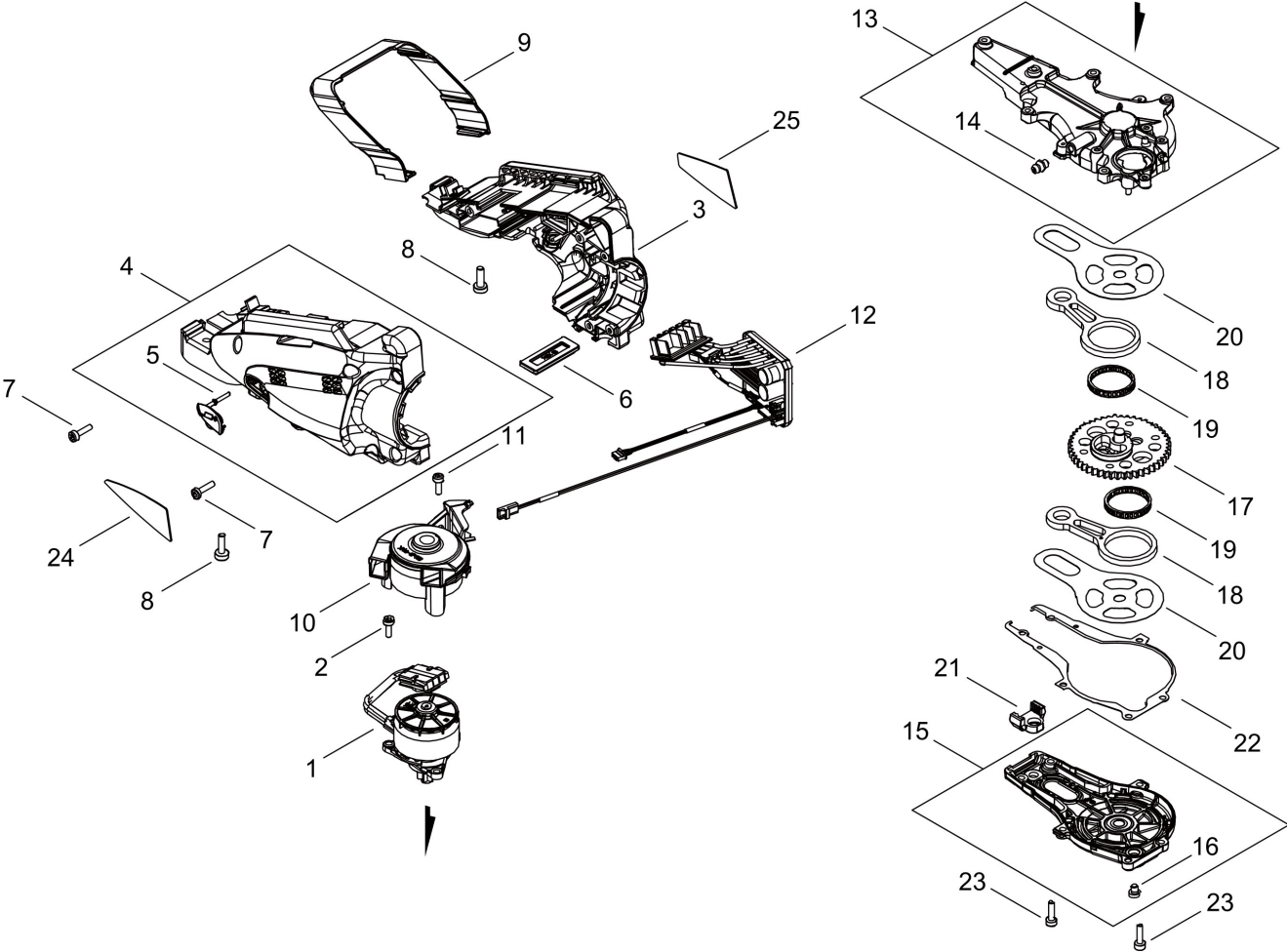


Illustration 01_MOTOR__GEAR_CASE

Nr.	Antal	Kod	Beskrivning	Bilaga	Anmärkning
1	1	A054-000370	MOTOR,ASM		
2	3	V804-000050	BOLT, TORX 4		TB-4*12 10.9
3	1	A539-000540	COVER,MOTOR		
4	1	P100-013460	COVER,MOTOR ASY		
5	1	X638-000010	CAP,NIPPLE		
6	1	V420-005780	CUSHION		
7	5	V804-000170	BOLT, TORX 4		TT-P 4*16
8	4	V805-000150	BOLT, TORX 5		TB-5*16 10.9
9	1	J470-009390	COVER		
10	1	P100-013060	CASE,FAN ASY		
11	1	V804-000050	BOLT, TORX 4		TB-4*12 10.9
12	1	A047-000640	BOARD,ASM CONTROL		
13	1	P100-013100	CASE ASY, GEAR		
14	1	V187-000080	GREASE NIPPLE		
15	1	P100-013110	LID ASY, GEARCASE		
16	1	V203-002640	BOLT,5		TB-5*6
17	1	P100-013121	GEAR,SPUR		
18	2	C532-000700	ROD, CONNECTING		
19	2	V572-000000	BEARING, NEEDLE		
20	2	C603-001270	PLATE, SIDE		
21	1	V541-000620	SEAL		
22	1	V110-000260	GASKET,GEAR CASE		
23	5	V804-000060	BOLT, TORX 4		TB-4*16 10.9
24	1	X543-006220	LABEL,MODEL		DHCS-2800
25	1	X502-001340	LABEL,ECHO		

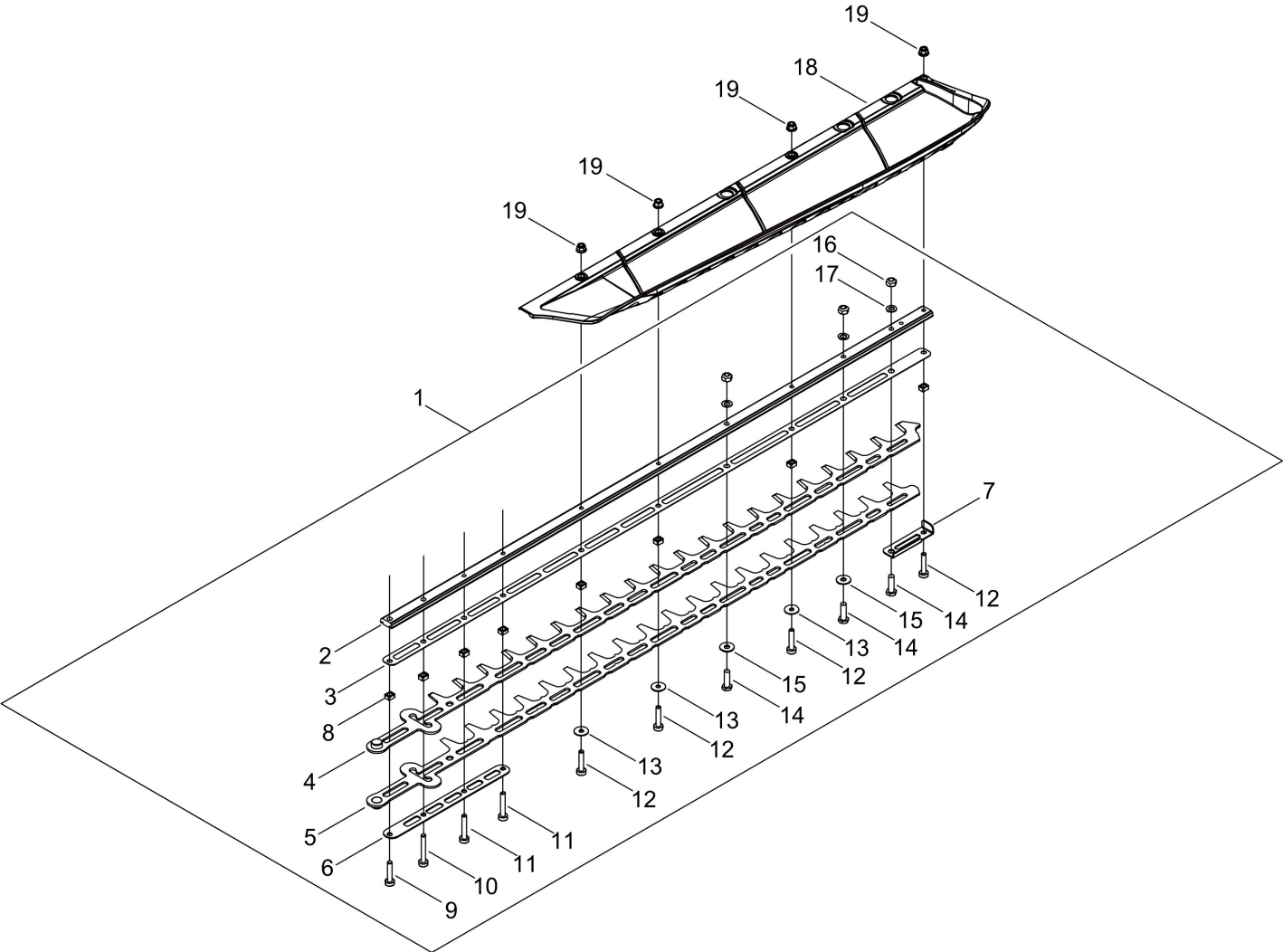


Illustration 02_CUTTING_BLADE

Nr.	Antal	Kod	Beskrivning	Bilaga	Anmärkningar
1	1	X041-000850	CUTTER,ASM		30"T2.2
2	1	X425-001250	SUPPORT,CUTTER		
3	1	X425-001260	SUPPORT,CUTTER		
4	1	X411-001440	CUTTER		30"
5	1	X411-001450	CUTTER		30"
6	1	X425-001230	SUPPORT,CUTTER		
7	1	X425-001270	SUPPORT,CUTTER		
8	8	V376-002940	SPACER		7.45*9*4.7
9	1	V805-000220	BOLT, TORX 5		TB-5*25 12.9
10	1	V805-000370	BOLT, TORX 5		TB-5*35 ALL 12.9
11	2	V805-000360	BOLT, TORX 5		TB-5*30 ALL10.9
12	4	V805-000170	BOLT, TORX 5		TB-5*25 10.9
13	3	V303-000290	WASHER		
14	3	V204-000570	BOLT		M6*20
15	2	V304-000240	WASHER		
16	3	433022-06460	NUT		
17	3	900600-00006	WASHER		6
18	1	C571-000210	GUIDE, CORRECTION		30"
19	4	92108-05000	NUT, FLANGE		5

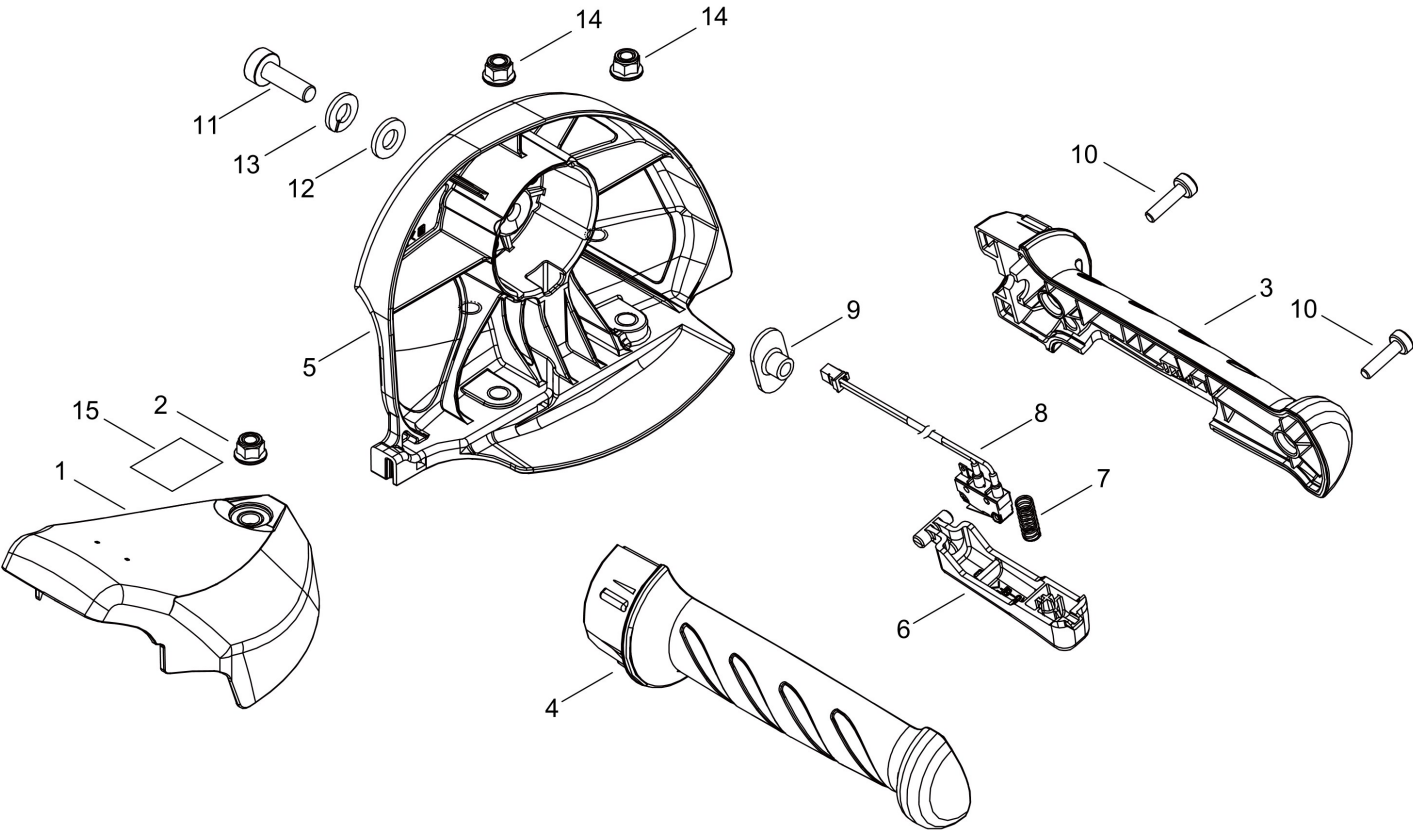


Illustration 03_HANDLE

Nr.	Antal	Kod	Beskrivning	Bilaga	Anmärknings
1	1	J470-009520	COVER		
2	1	92108-05000	NUT, FLANGE		5
3	1	C412-000810	GRIP, HANDLE		
4	1	C412-000820	GRIP, HANDLE		
5	1	C440-000120	GUARD, HAND		
6	1	J361-000890	LEVER		
7	1	V450-002490	SPRING, COMPRESSION		
8	1	C130-001300	HARNES, WIRE		
9	1	V264-000390	NUT, 6		
10	2	V804-000170	BOLT, TORX 4		TT-P 4*16
11	1	V806-000050	BOLT, TORX 6		TB-6*20 12.9
12	1	900602-00006	WASHER		6
13	1	900605-00006	"WASHER, SPRING"		6
14	2	92108-05000	NUT, FLANGE		5
15	1	X505-011880	LABEL, CAUTION		

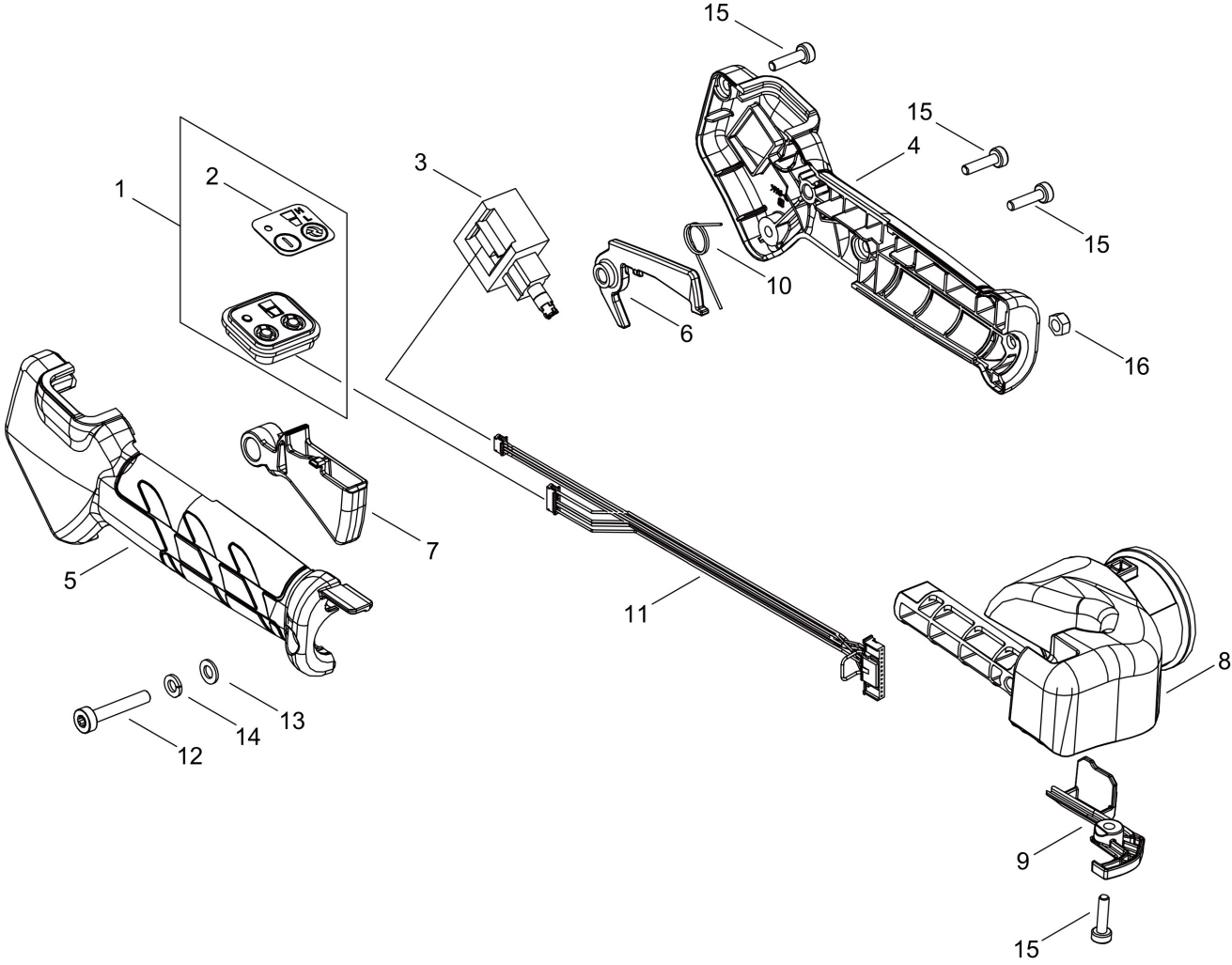
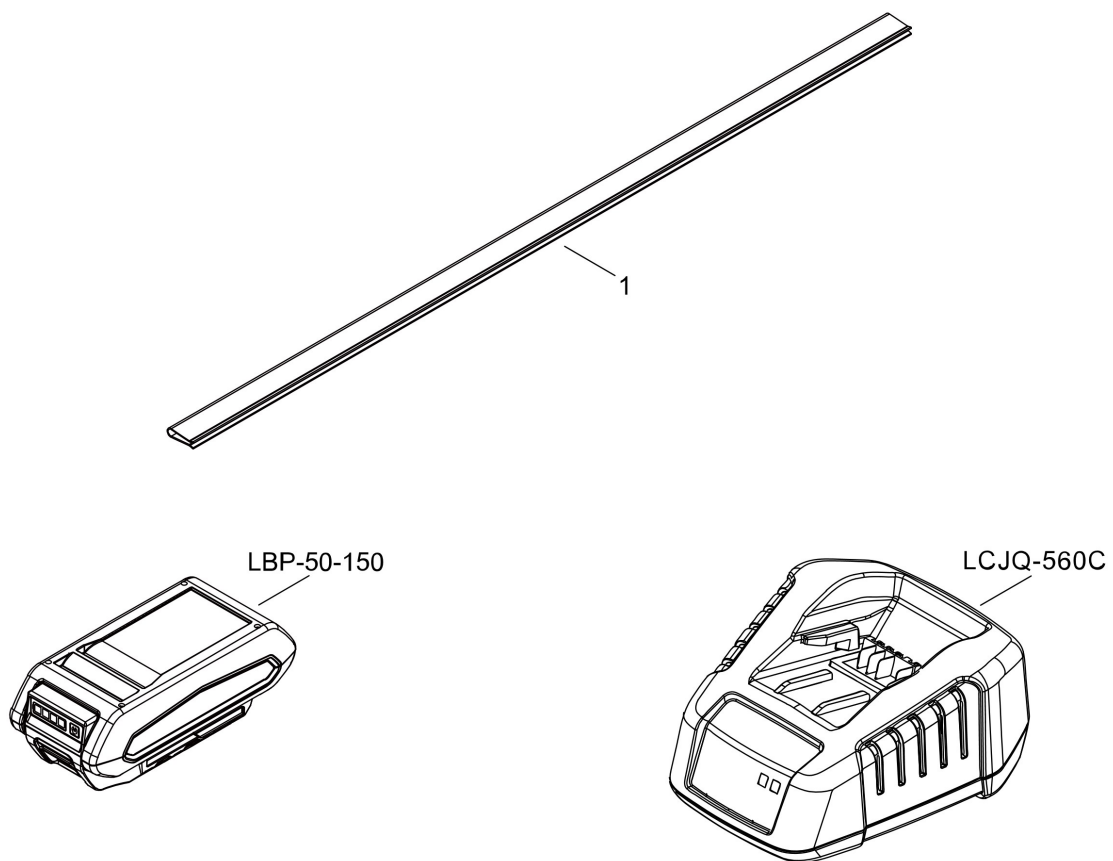


Illustration 04_CONTROL

Nr.	Antal	Kod	Beskrivning	Bilaga	Anmärkning
1	1	A047-000630	BOARD,ASM CONTROL		
2	1	X510-001400	LABEL,SWITCH		
3	1	G334-001830	SWITCH		G33407S0080
4	1	C412-000790	GRIP, HANDLE		
5	1	C412-000800	GRIP, HANDLE		
6	1	C490-000090	LOCKOUT		
7	1	J361-000880	LEVER		
8	1	C410-001590	HANDLE, REAR		
9	1	C138-000080	COVER,HARNESS		
10	1	V452-002110	SPRING,TORSION		RELEASE LEVER
11	1	C130-001290	HARNESS, WIRE		
12	1	V805-000180	BOLT, TORX 5		TB-5*30 12.9
13	1	900602-00005	WASHER		5
14	1	900605-00005	WASHER, SPRING Drive Shaft Sr/Nr 011375 and before		5
15	4	V804-000170	BOLT, TORX 4		TT-P 4*16
16	1	900562-00005	NUT, LOCK		5



* Batteries and charger are handle as accessories instead of spare parts.
Please place an order of batteries and charger at the same time as unit order.

Illustration 05_ACCESSORIES

Nr.	Antal	Kod	Beskrivning	Bilaga	Anmärkningar
1	1	X495-001110	SCABBARD,BLADE		30"