

DPB-310



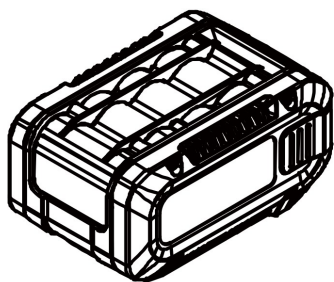
## Dokumenten

charger and batteries

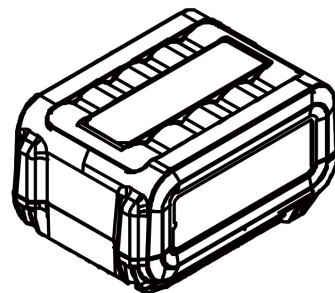
---

DPB-310

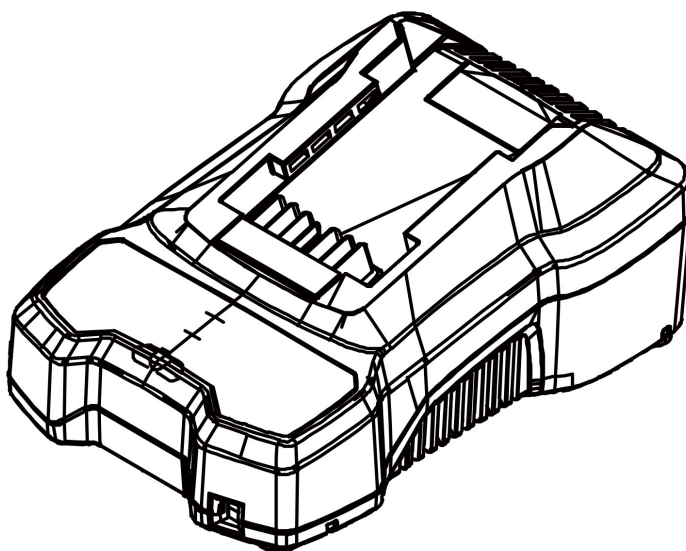
---



1



2

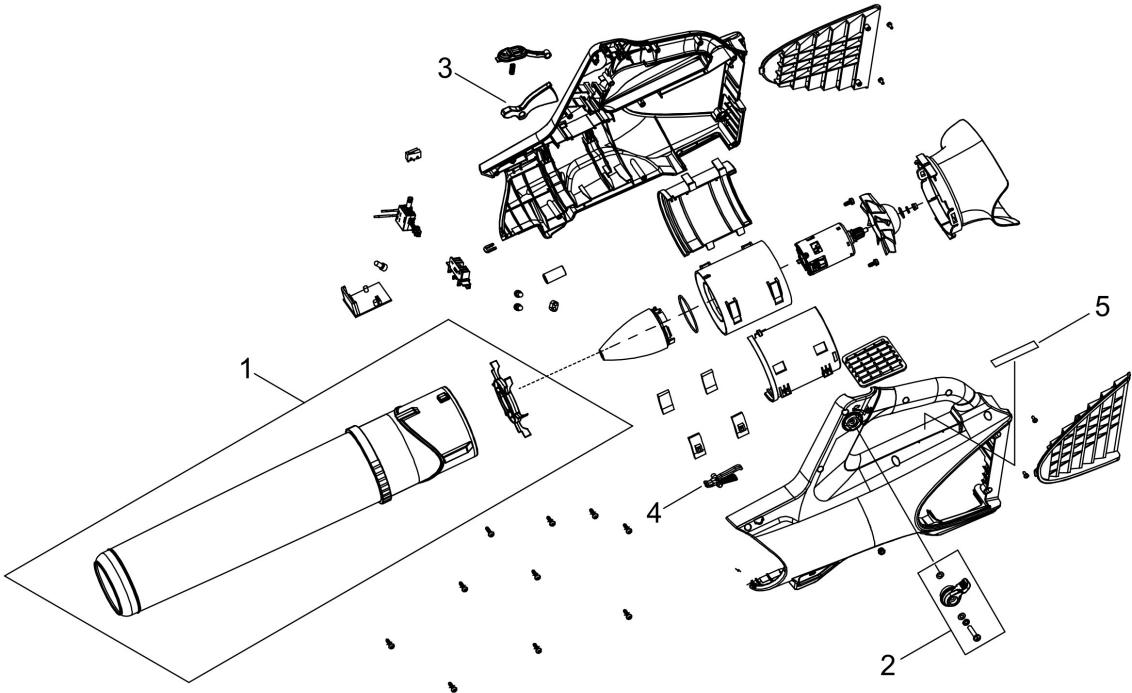


3

## Illustration charger and batteries

---

Nr.	Antal	Kod	Beskrivning	Bilaga	Anmärkningar
1	1	LBP-36-150	Battery 4Ah, 40V		
2	1	LBP-36-80	Battery 2Ah, 40V		
3	1	LC-3604	Fast charger, 40V		



## Illustration DPB-310

---

Nr.	Antal	Kod	Beskrivning	Bilaga	Anmärkningar
1	1	P022061670	Blowpipe, DPB-310		
2	1	P022061680	Gas detector, DPB-310		
3	1	P022061690	Throttle top, DPB-310		
4	1	P022061700	Throttle down, DPB-310		
5	1	P022061710	Caution sticker, DPB-310		