

HC-2020R (U64040000001-)

Dokumenten

01_CYLINDER_PISTON_CRANKSHAFT

02_CRANKCASE

03_MAGNETO

04_AIR_CLEANER_CARBURETOR

05_CARBURETOR

06_FUEL_TANK

07_MUFFLER

08_RECOIL_STARTER

09_GEAR_CASE

10_CUTTING_BLADE

11_HANDLE

12_ACCESSORIES

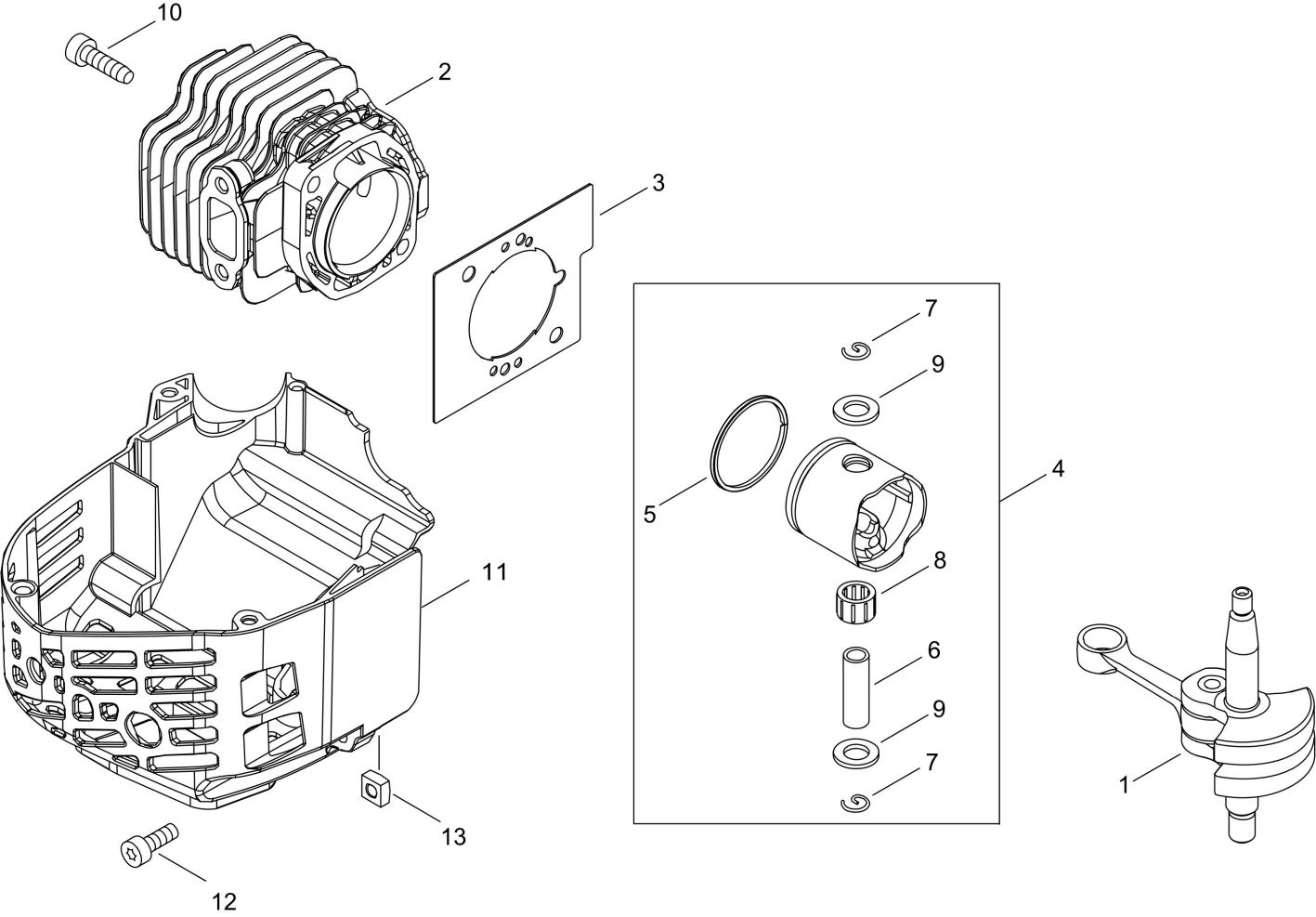


Illustration 01_CYLINDER__PISTON__CRANKSHAFT

Nr.	Antal	Kod	Beskrivning	Bilaga	Anmärkningar
1	1	A011-001550	CRANKSHAFT,ASY		
2	1	A130-001960	CYLINDER		
3	1	V100-000720	GASKET,CYL		
4	1	P021-007772	PISTON KIT		
5	1	A101-000090	RING,PISTON		
6	1	100013-11520	PIN, PISTON		
7	2	100015-04630	CIRCLIP, PISTON PIN		
8	1	100113-05930	BEARING, NEEDLE		8*12*8
9	2	100014-08960	SPACER, PISTON PIN		
10	2	V805-000210	BOLT, TORX 5		TB-5*20 12.9
11	1	A160-003580	COVER,CYLINDER		HC-2020
12	1	V805-000150	BOLT, TORX 5		TB-5*16 10.9
13	1	900565-00005	NUT, SQUARE		5

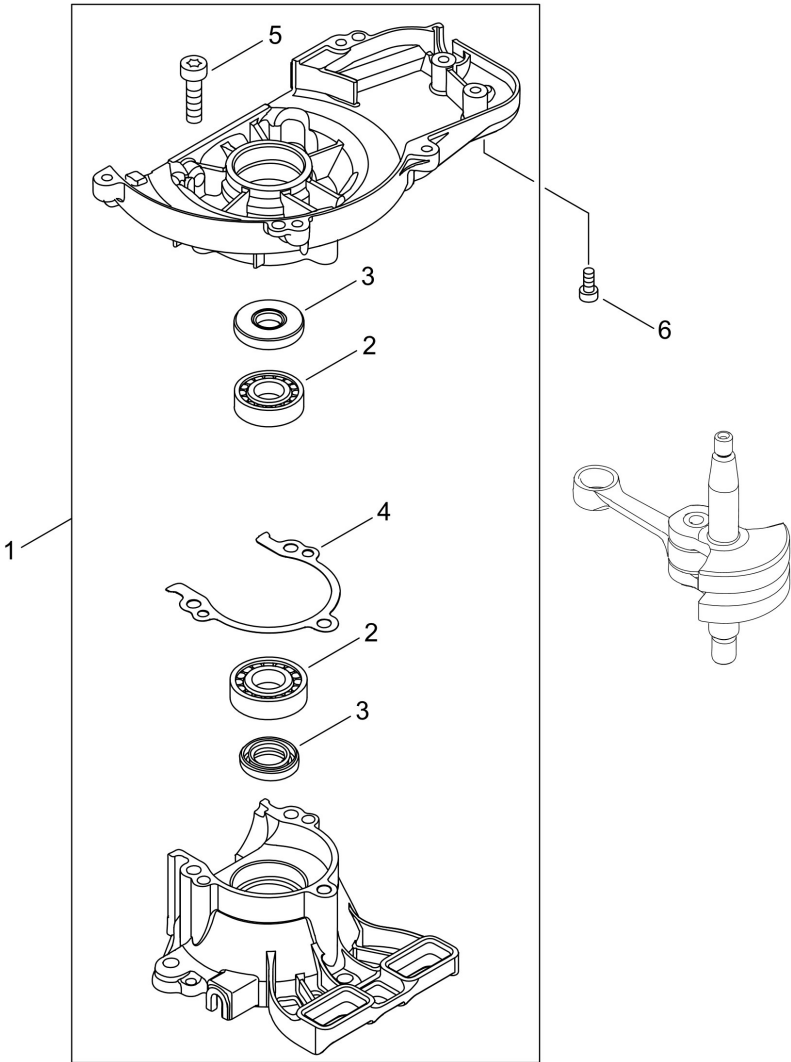


Illustration 02_CRANKCASE

Nr.	Antal	Kod	Beskrivning	Bilaga	Anmärkningar
1	1	P100-006080	CRANKCASE SET		
2	2	900810-36000	BEARING, BALL		6000
3	2	100212-61830	OILSEAL		ISCD 10*20*5
4	1	V102-000240	GASKET,CRANKCASE		
5	3	V805-000220	BOLT, TORX 5		TB-5*25 12.9
6	1	V804-000040	BOLT, TORX 4		TB-4*10 10.9

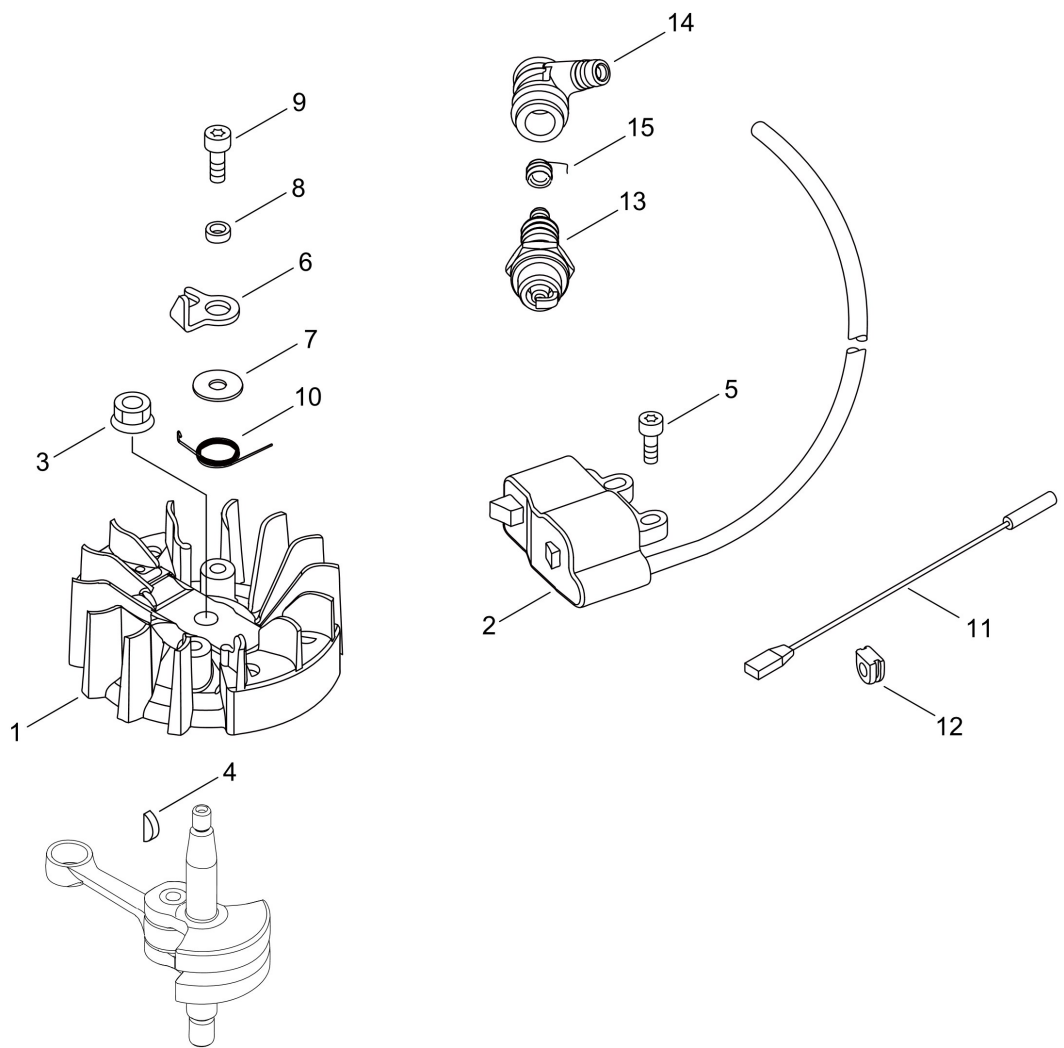


Illustration 03_MAGNETO

Nr.	Antal	Kod	Beskrivning	Bilaga	Anmärkning
1	1	A409-001360	ROTOR, MAGNETO		ID R10011
2	1	A411-001810	COIL, IGNITION		L200+10
3	1	92105-06000	NUT L, FLANGE		6
4	1	100142-12330	KEY, WOODRUFF		
5	2	V804-000060	BOLT, TORX 4		TB-4*16 10.9
6	2	A514-000260	PAWL		
7	2	131911-03460	WASHER		
8	2	178070-10860	SPACER		
9	2	V805-000150	BOLT, TORX 5		TB-5*16 10.9
10	2	V452-001370	SPRING,TORSION		
11	1	V485-001220	LEAD		L:85
12	1	V135-000150	GROMMET,HT CORD		
13	1	A425-000000	SPARKPLUG		BPMR8Y
14	1	A427-000013	CAP,SPARK PLUG		
15	1	A426-000010	TERMINAL,SPARKPLUG		

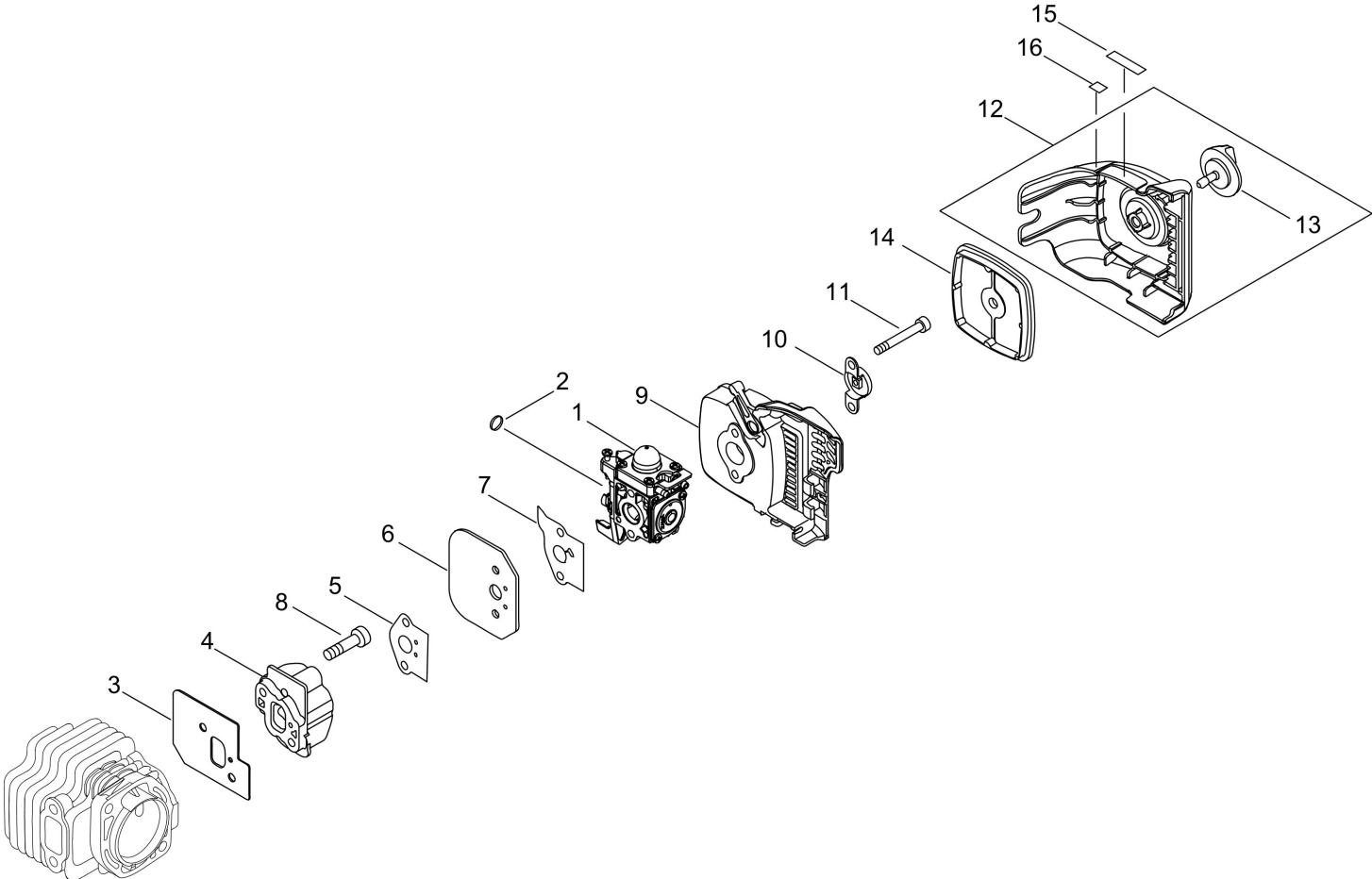


Illustration 04_AIR_CLEANER__CARBURETOR

Nr.	Antal	Kod	Beskrivning	Bilaga	Anmärkningar
1	1	A021-004900	CARBURETOR,DIAPHRAGM		ID:YZ0008
2	1	V490-001100	CLIP		
3	1	V103-002030	GASKET,INTAKE		T1.0
4	1	A200-001200	INSULATOR, INTAKE		
5	1	V103-002020	GASKET,INTAKE		
6	1	A209-000610	PLATE, INSULATOR		
7	1	V103-001740	GASKET,INTAKE		
8	2	V805-000170	BOLT, TORX 5		TB-5*25 10.9
9	1	P021-049871	CASE,CLEANER		
10	1	A244-000070	PLATE,PREVENT		
11	2	V805-000100	BOLT, TORX 5		TB-5*65 10.9
12	1	P021-049130	CLEANER COVER ASY		
13	1	A235-000530	KNOB,CLEANER LID		
14	1	A226-001410	ELEMENT,AIR FILTER		
15	1	890332-52730	LABEL, CHOKE		
16	1	X524-001901	LABEL		

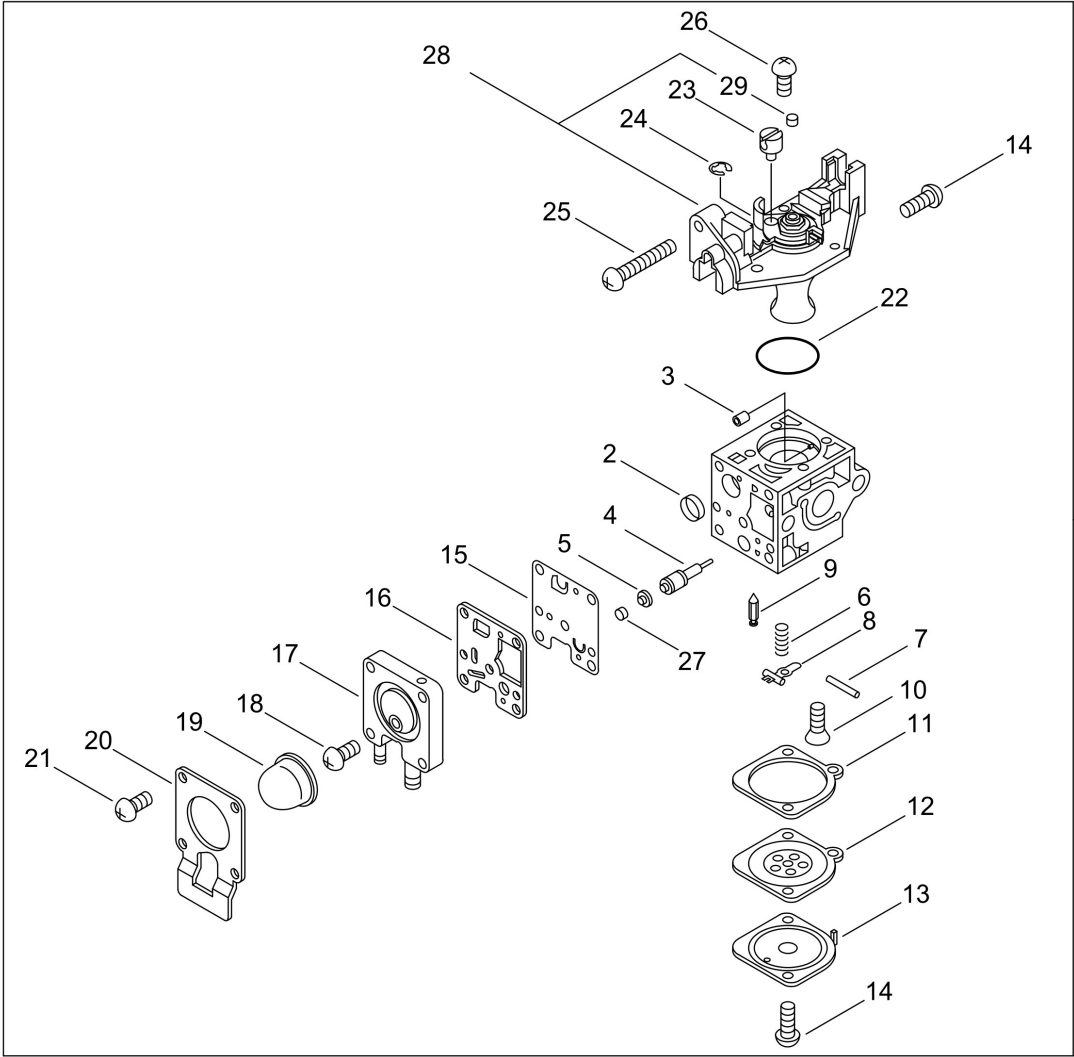


Illustration 05_CARBURETOR

Nr.	Antal	Kod	Beskrivning	Bilaga	Anmärkningar
1	1	A021-004900	CARBURETOR,DIAPHRAGM		ID:YZ0008
2	1	P005-000010	STRAINER		
3	1	P005-001000	ROLLER, GUIDE		
4	1	P005-001260	SCREW,MAINN MIXTURE		
5	1	P005-001250	RETAINER,PLUG BALL		
6	1	P005-000940	SPRING, METER. LEVER		
7	1	125338-13930	PIN, METERING ARM		
8	1	125323-08260	ARM, VALVE		
9	1	125337-08260	VALVE, INLET NEEDLE		
10	1	125339-42030	SCREW		
11	1	P005-004700	GASKET, METERING		
12	1	P005-003760	DIAPHRAGM ,METERING		
13	1	125342-52130	COVER, DIAPHRAGM		
14	3	125344-52130	SCREW		
15	1	P005-000510	DIAPHRAGM, PUMP		
16	1	P005-004710	GASKET, FUEL PUMP		
17	1	P005-004240	BASE, ASY PRIMER		
18	1	P005-000270	SCREW		
19	1	P005-003110	PUMP, PRIMER		
20	1	P005-000250	RETAINER		
21	4	P005-001900	SCREW		
22	1	P005-004260	RING,O		
23	1	P005-002200	POST		
24	1	P005-000190	E-RING		
25	1	P005-000100	SCREW,THROTTLEADJUST		
26	3	125344-13931	SCREW		
27	1	P005-001270	PLUG, AJUST SCREW		
28	1	P005-002050	COVER ASY, ROTOR		
29	1	P005-001270	PLUG, AJUST SCREW		

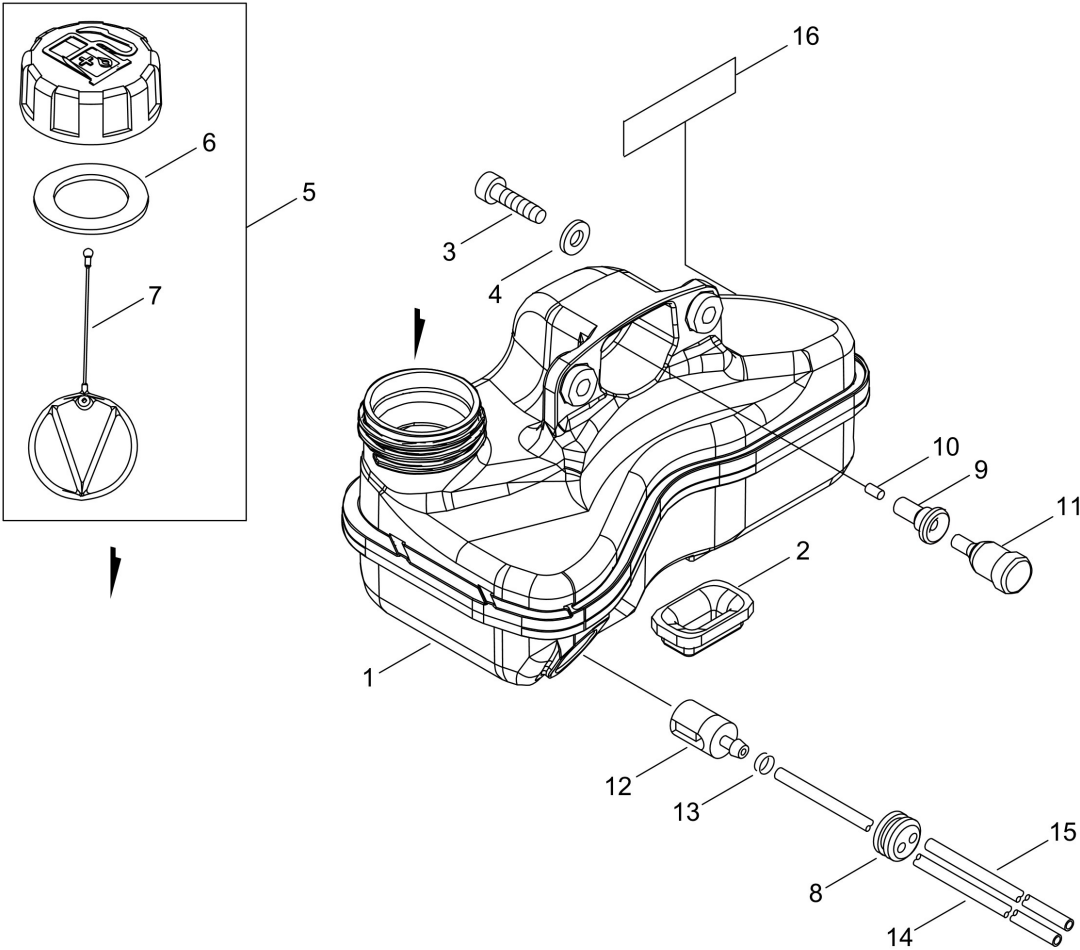


Illustration 06_FUEL_TANK

Nr.	Antal	Kod	Beskrivning	Bilaga	Anmärkning
1	1	A350-002521	TANK, FUEL		Q-19-148
2	2	V420-004490	CUSHION		
3	2	V805-000160	BOLT, TORX 5		TB-5*20 10.9
4	2	900603-00005	WASHER		5
5	1	P100-006051	FUEL CAP ASY		
6	1	V107-000190	GASKET,FUEL CAP		37.9*T2.2
7	1	A365-000050	CONNECTOR,CAP		
8	1	132115-44331	GROMMET, FUEL		
9	1	V137-000150	GROMMET,FUEL		
10	1	131314-35430	VALVE, CHECK		
11	1	A356-000031	VALVE,CHECK		
12	1	A369-000480	STRAINER, FUEL		125-959
13	1	V490-001240	CLIP		
14	1	V471-005540	PIPE		3*5*210
15	1	132010-56330	PIPE 3*6*90		3*6*90 YL
16	1	X532-005650	LABEL,OPERATION		

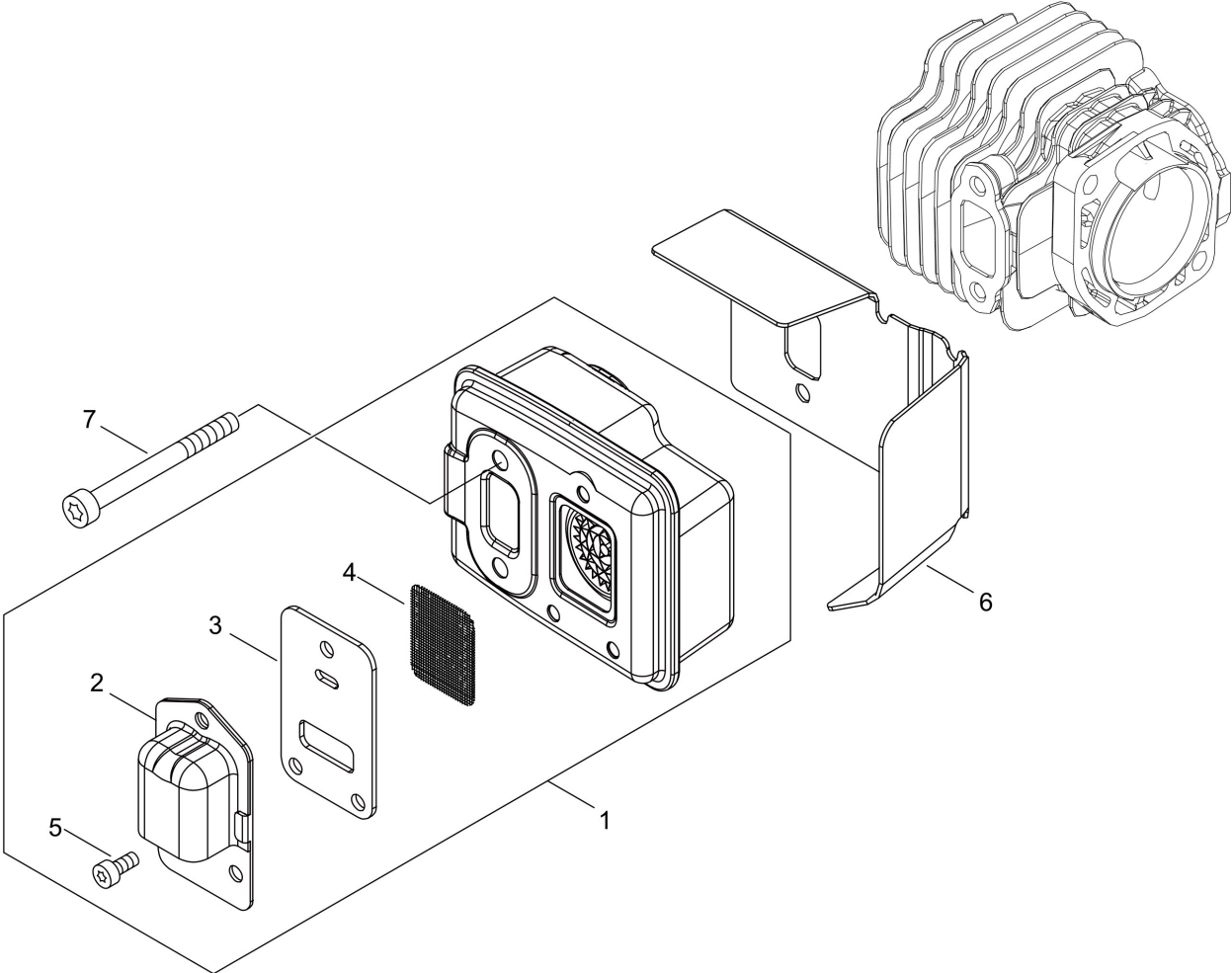


Illustration 07_MUFFLER

Nr.	Antal	Kod	Beskrivning	Bilaga	Anmärkning
1	1	P100-009110	MUFFLER ASY		
2	1	A313-002120	GUIDE, EXHAUST		ID#2920
3	1	V104-002530	GASKET,EXHAUST		T:1.5
4	1	145862-40630	SCREEN, MUFFLER		
5	3	V804-000030	BOLT, TORX 4		TB-4*8 10.9
6	1	V104-002190	GASKET,EXHAUST		
7	2	V805-000190	BOLT, TORX 5		TB-5*55 12.9

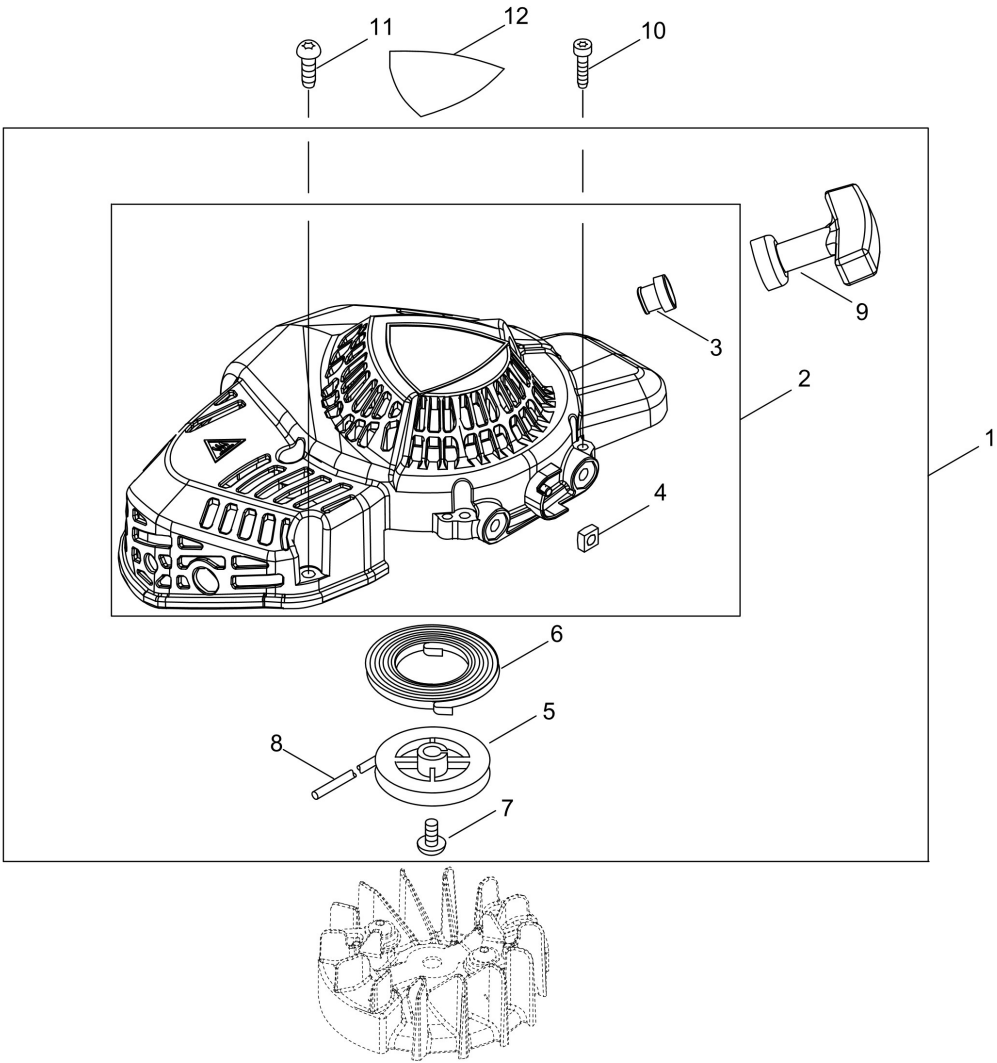


Illustration 08_RECOIL_STARTER

Nr.	Antal	Kod	Beskrivning	Bilaga	Anmärkning
1	1	A051-003390	STARTER,RECOIL ASY		
2	1	P022-051640	CASE, STARTER		
3	1	P022-045770	GUIDE, ROPE		
4	2	P022-022010	NUT		
5	1	P022-051650	DRUM, STARTER		
6	1	P022-019680	SPRING, SPIRAL		
7	1	177236-44330	SCREW		
8	1	P022-039290	ROPE, STARTER		
9	1	P022-051660	GRIP, STARTER		
10	4	V804-000060	BOLT, TORX 4		TB-4*16 10.9
11	2	V805-000000	BOLT, TORX 5		TT-5*16 DG 10.9
12	1	X502-001200	LABEL,ECHO		EHCO+HC-2020R

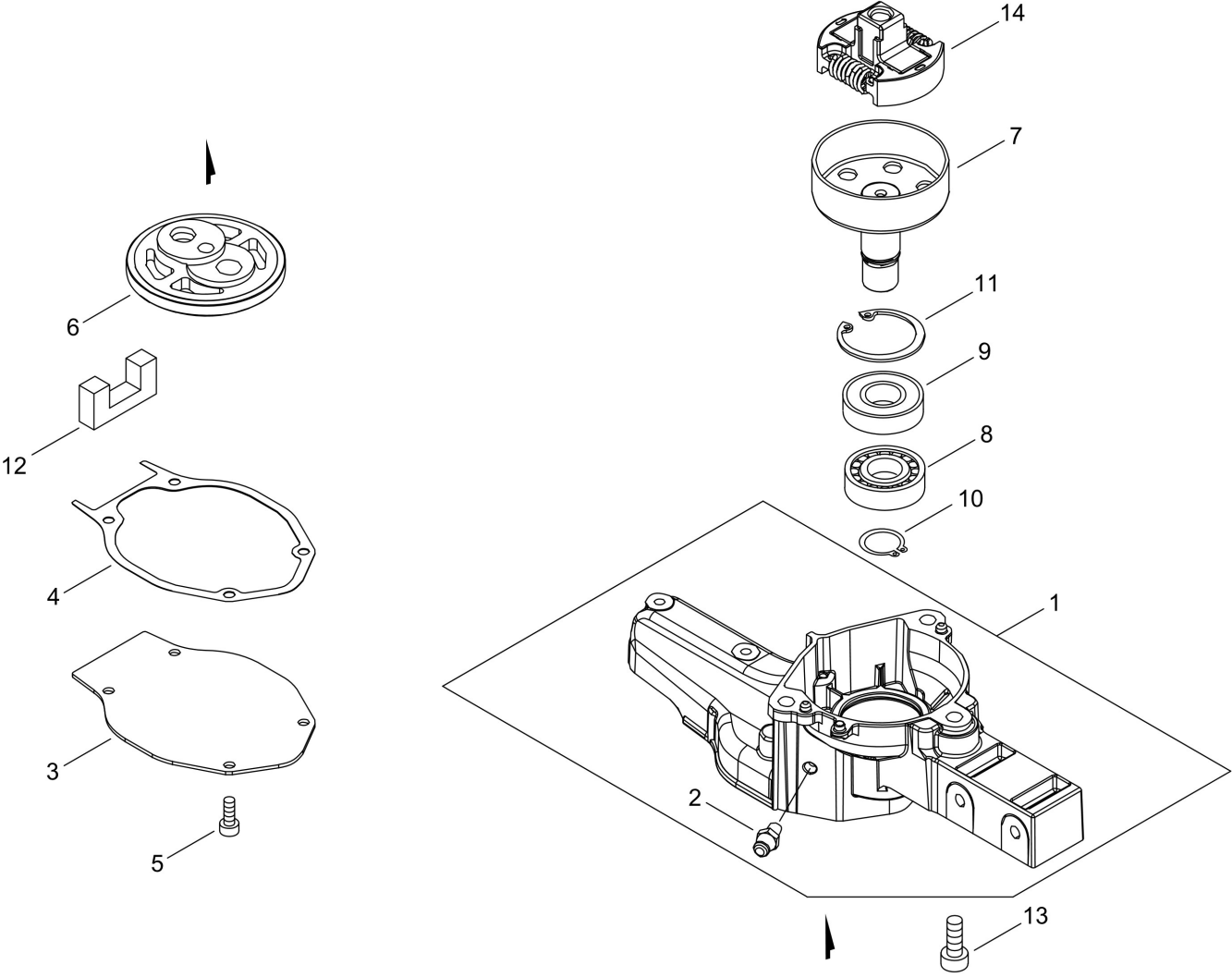


Illustration 09_GEAR_CASE

Nr.	Antal	Kod	Beskrivning	Bilaga	Anmärkningar
1	1	P100-006070	CASE,GEAR ASY		
2	1	880110-54230	NIPPLE, GREASE		
3	1	C539-000190	LID,GEARCASE		T1.6
4	1	V110-000230	GASKET,GEAR CASE		T0.3
5	4	V804-000050	BOLT, TORX 4		TB-4*12 10.9
6	1	V650-000740	GEAR,SPUR		
7	1	A556-001840	DRUM, CLUTCH		50 T1.4
8	1	900800-06002	BEARING, BALL		6002
9	1	900802-06002	BEARING, BALL		6002LLU(DDU)
10	1	900701-00014	RETAINING RING		CS-14
11	1	900702-00032	RETAINING RING		CR-32
12	1	V541-000750	SEAL		
13	3	V806-000130	BOLT, TORX 6		TB-6*16 ALL 10.9
14	1	A056-000790	CLUTCH ASY		

Illustration 10_CUTTING_BLADE

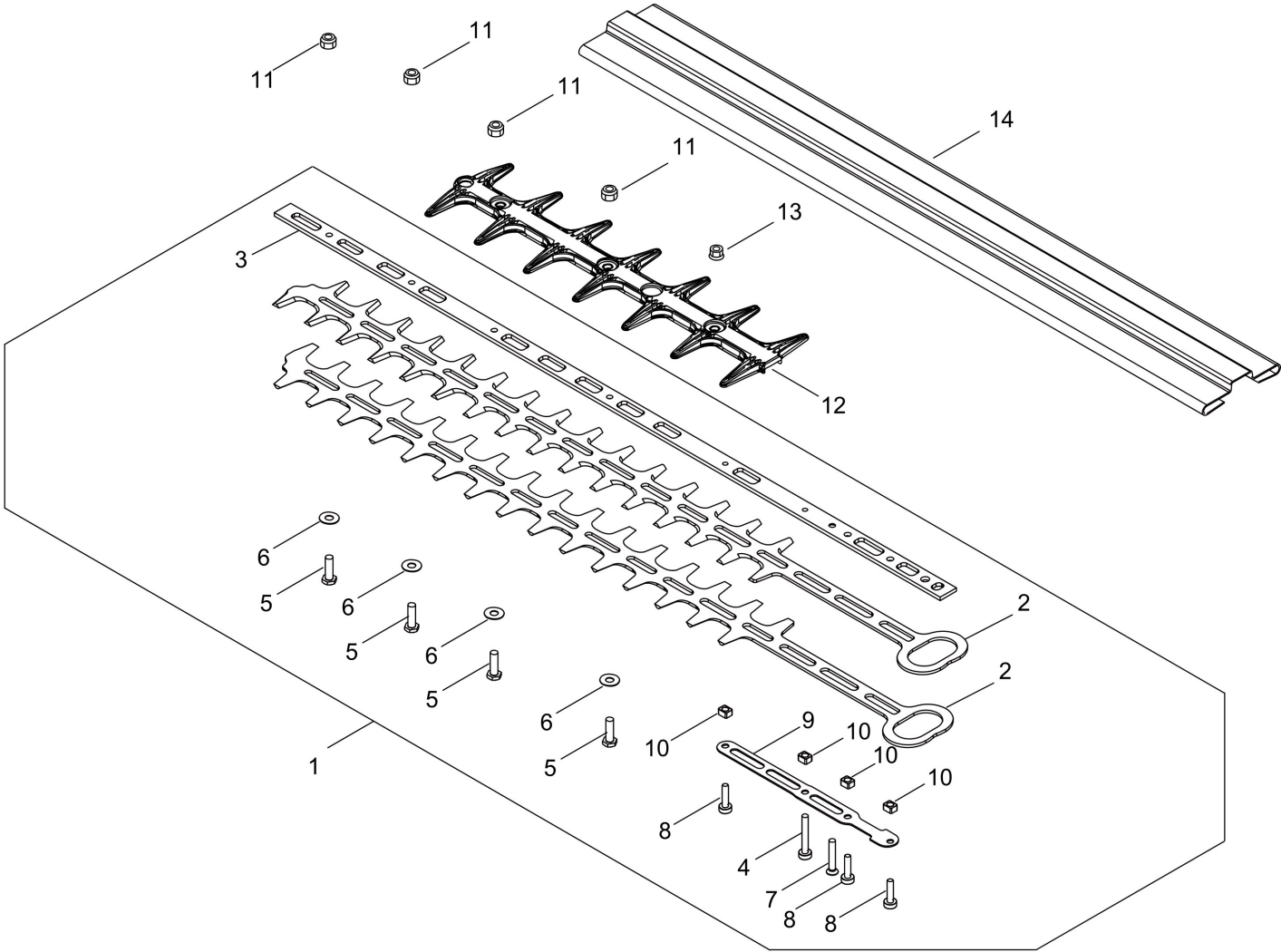


Illustration 10_CUTTING_BLADE

Nr.	Antal	Kod	Beskrivning	Bilaga	Anmärkningar
1	1	P100-008710	CUTTER SET		
2	2	X412-000850	CUTTER		
3	1	X425-001150	SUPPORT,CUTTER		
4	1	V805-000370	BOLT, TORX 5		TB-5*35 ALL 12.9
5	4	V204-000570	BOLT		
6	4	699118-04560	WASHER		
7	1	900212-05030	SCREW		5*30
8	3	V805-000210	BOLT, TORX 5		TB-5*20 12.9
9	1	V150-004720	PLATE,EYE		T:1.2
10	4	V353-000250	COLLAR		9*7.45*5.3
11	4	433022-06460	NUT		
12	1	X431-000200	BLUNT		
13	1	92108-05000	NUT, FLANGE		5
14	1	X495-000630	SCABBARD,BLADE		L585

Illustration 11_HANDLE

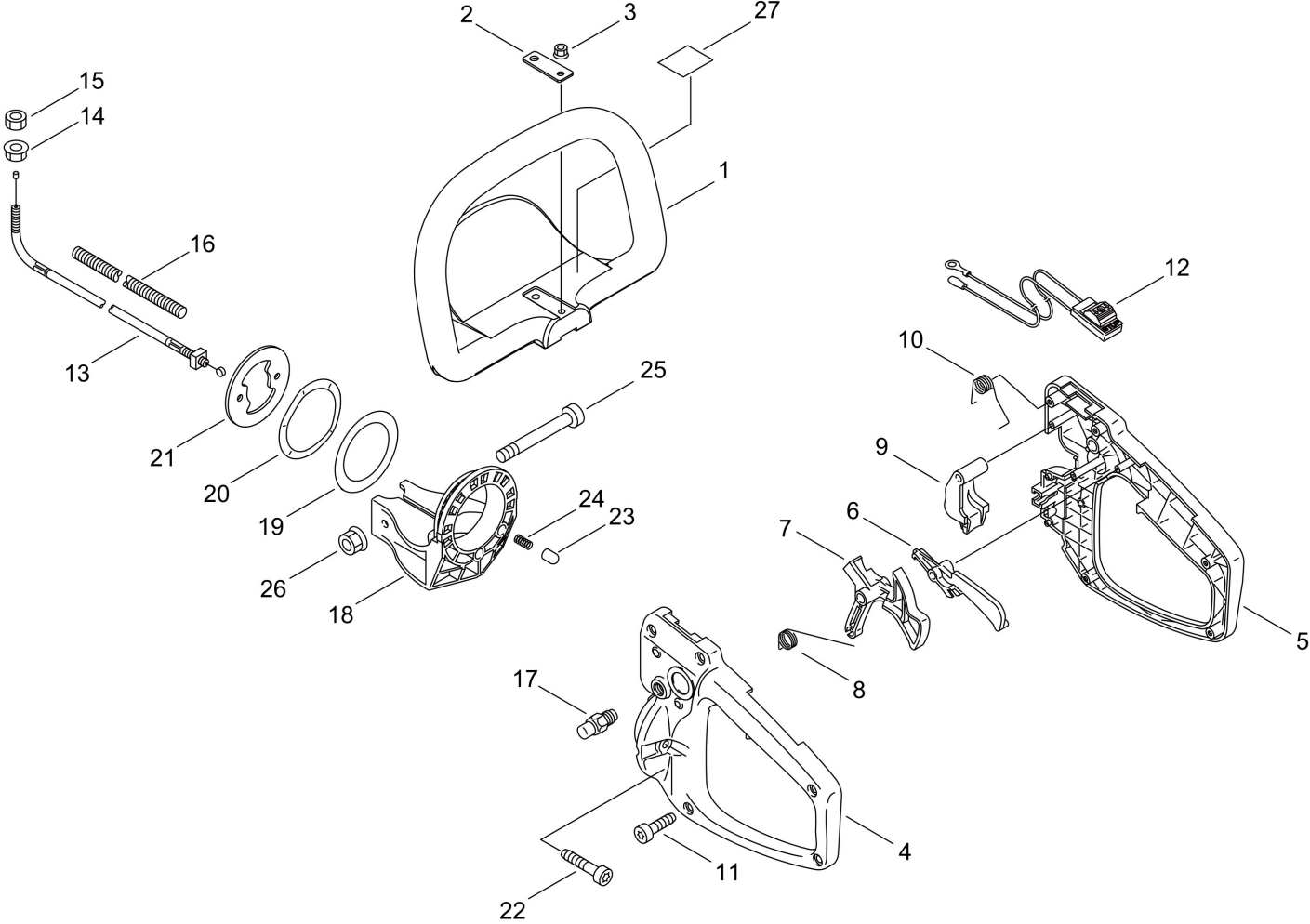


Illustration 11_HANDLE

Nr.	Antal	Kod	Beskrivning	Bilaga	Anmärkningar
1	1	C400-000533	HANDLE, FRONT		
2	1	351611-05360	WASHER		
3	2	92108-05000	NUT, FLANGE		5
4	1	351010-13361	HANDLE, REAR		
5	1	351210-13361	HANDLE		
6	1	178012-13360	LOCKOUT, THROTTLE		
7	1	178010-13361	TRIGGER, THROTTLE		
8	1	178013-13660	SPRING, TORSION		
9	1	351648-13360	STOPPER, HANDLE		
10	1	178043-13660	SPRING, TORSION		
11	5	V804-000010	BOLT, TORX 4		TT-4*16 DG 10.9
12	1	A440-003460	SWITCH, ON OFF		
13	1	V430-004680	CABLE, BOWDEN		
14	1	900515-00006	NUT, FLANGE		6
15	1	900502-00006	NUT		6
16	1	V475-007040	TUBE		7*210
17	1	P100-011160	LATCH ASY		
18	1	351312-13361	BRACKET, HANDLE		
19	1	689025-13361	WASHER, CIRCULAR		
20	1	178129-13361	WASHER		
21	1	351313-13361	BRACKET, HANDLE		
22	2	V805-000050	BOLT, TORX 5		TB-5*30 10.9
23	2	605611-13360	PIN		
24	2	178043-13360	SPRING		
25	2	V805-000280	BOLT, TORX 5		TB-5*45 10.9
26	2	92108-05000	NUT, FLANGE		5
27	1	X505-002030	LABEL, CAUTION		37*35

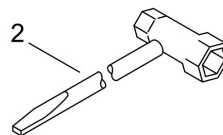
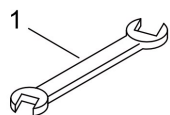


Illustration 12_ACCESSORIES

Nr.	Antal	Kod	Beskrivning	Bilaga	Anmärkningar
1	1	895112-00330	SPANNER 8*10		
2	1	895410-03930	WRENCH, W/S. DRIVER		