

MTA-DAH



Dokumenten

Shaft

cutter

bevel gear

Accesories

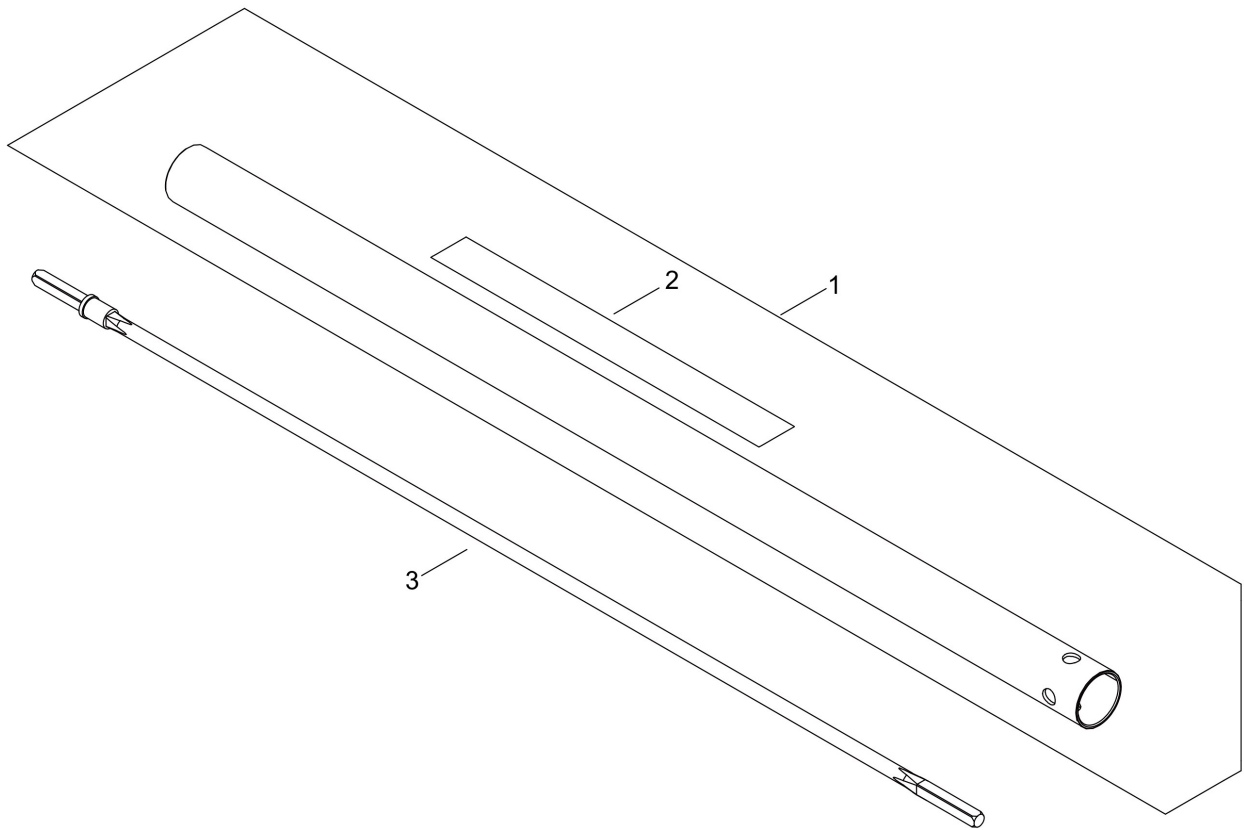


Illustration Shaft

Nr.	Antal	Kod	Beskrivning	Bilaga	Anmärkningar
1	1	P100011050	Linkage, MTA-DAH		
2	1	X505011610	Caution sticker, MTA-DAH		
3	1	C506000650	Drive shaft flexible, MTA-DAH		

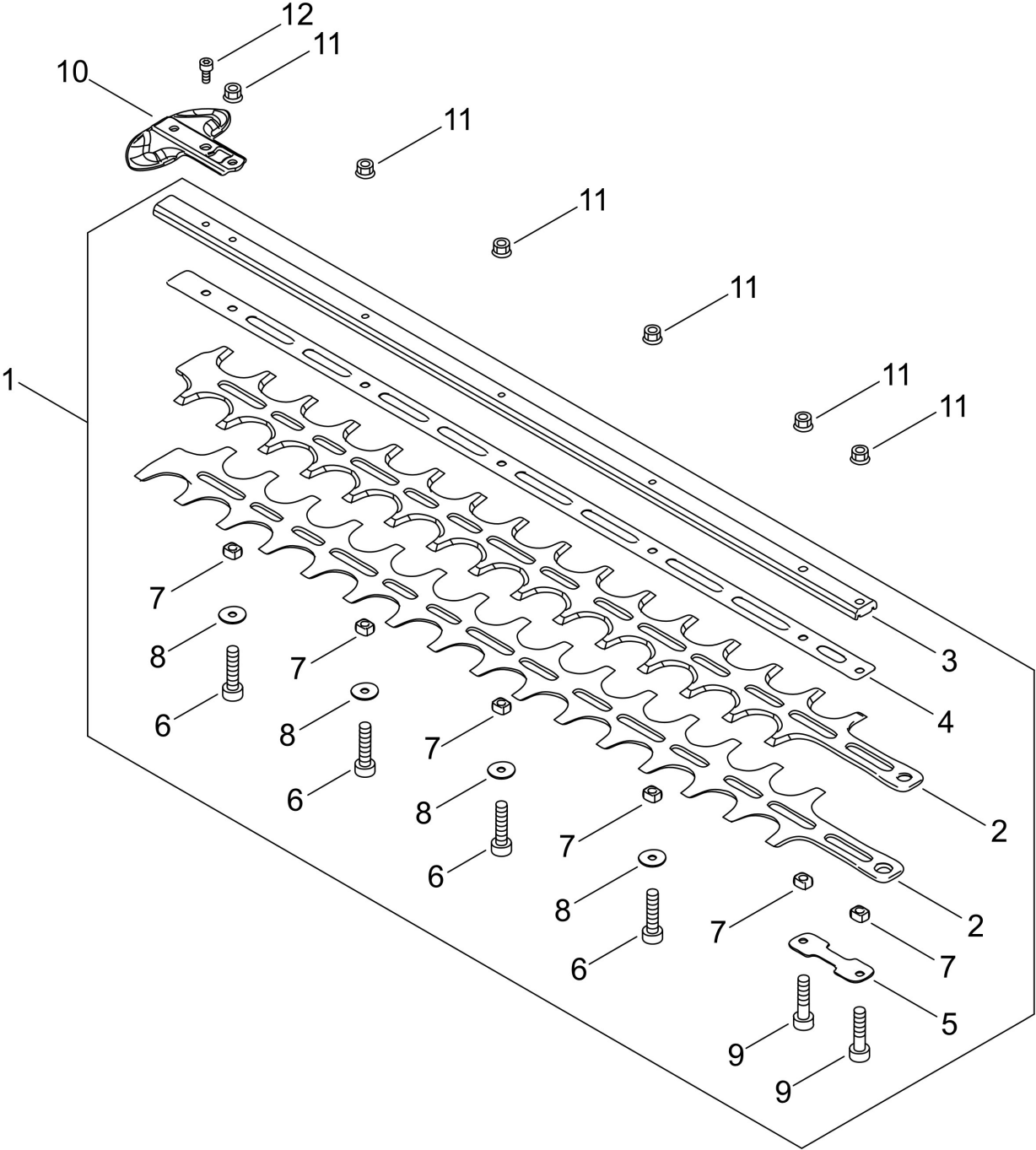


Illustration cutter

Nr.	Antal	Kod	Beskrivning	Bilaga	Anmärkningar
1	1	X041000680	Knife set complete, DPAS-HCA		
2	2	X411001370	Knife, double-sided, DPAS-HCA		
3	1	X425001030	Knife holder HCA-265ES-HD		
4	1	X425001040	Knife guide HCA-265ES-LW		
5	2	V150004330	Plate, knife, HCA-265ES-HD		
6	4	V805000160	BOLT, TORX 5		
7	6	V353000730	Guide, blade DPAS-HCA 9x7.45x4.3		
8	4	V303000290	Washer		
9	2	V805000180	BOLT, TORX 5		
10	1	E278000311	Lead Guard, HCA-265ES-HD/MTA-AH-HD/ HCA-2620ES-HD/MTA-DAH/MTA- AHS-HD		
11	6	9210805000	NUT, FLANGE		
12	1	V805000120	BOLT, TORX 5		

Illustration bevel gear

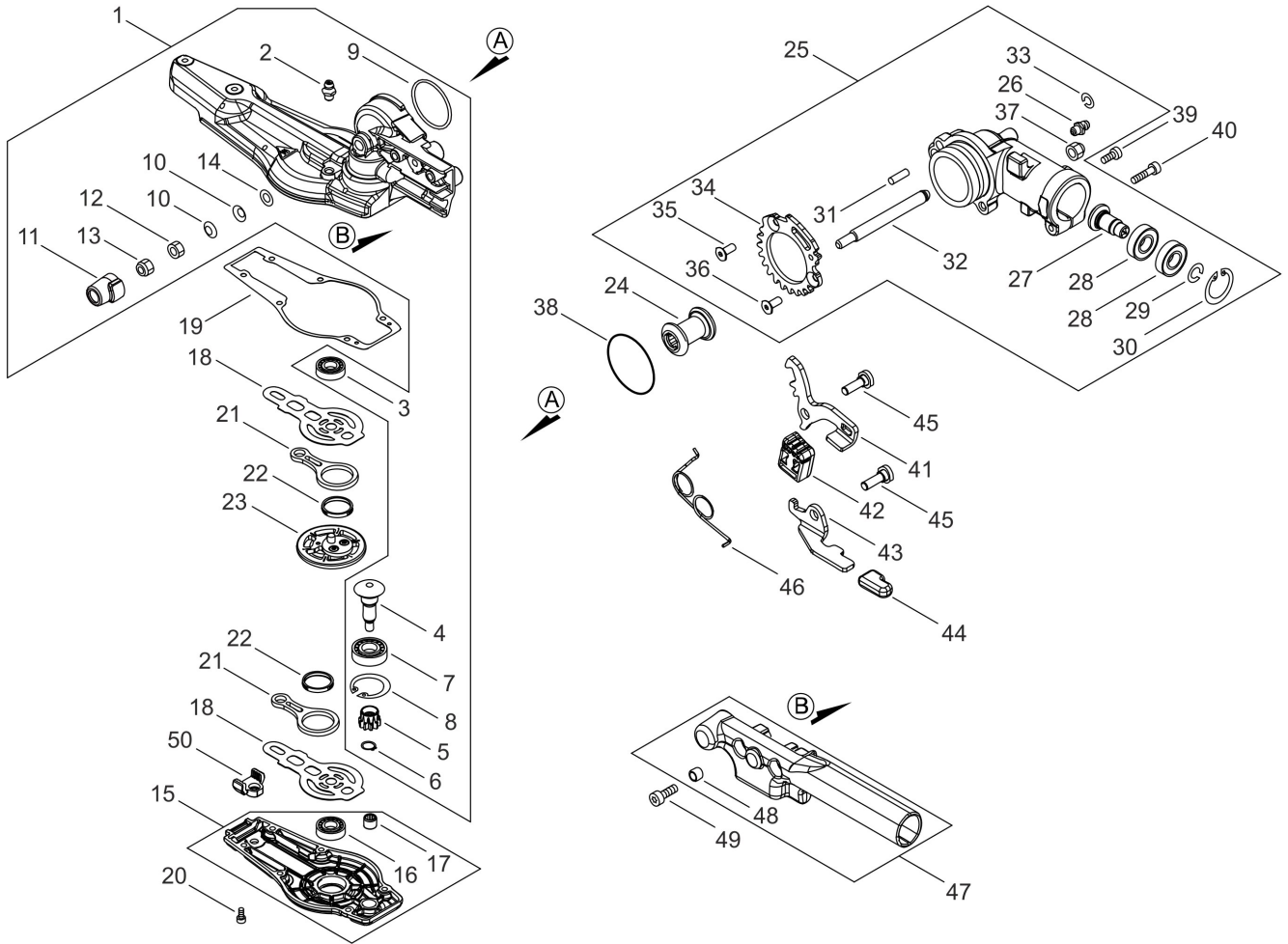


Illustration bevel gear

Nr.	Antal	Kod	Beskrivning	Bilaga	Anmärkningar
1	1	P100003622	Transmission housing, upper part cpl., MTA-DAH		
2	1	V187000080	GREASE NIPPLE		
3	1	90080000608	BEARING		
4	1	V655000110	Gear Shaft, HCA-265ES-HD		
5	1	V650000730	Gear, knife drive HCA-265ES-HD		
6	1	90070100008	Circlip outside 8 mm, HCA-265ES-HD		
7	1	90080006001	BEARING, BALL		
8	1	90070200028	CIRCLIP 28		
9	1	V317000040	Washer		
10	2	90060800006	disc, conical		
11	1	A127000610	Cover screw swivel gear HC		
12	1	90050200006	NUT 6 (3N)		
13	1	90056000006	nut		
14	1	17501404630	Washer		
15	1	P100003631	Transmission housing, lower part with bearings, HCA-2620ES		
16	1	90080000608	BEARING		
17	1	V551000000	Needle bearing HCA-265ES-HD		
18	4	V150004310	Perforated plate, swivel gear, HCA-265ES-HD		
19	1	V110000200	Gasket, gear case, HCA-265ES-HD		
20	6	V804000050	BOLT, TORX 4		
21	2	C532000530	Connecting rod knife drive HCA-265ES-HD		
22	2	V572000000	BEARING, NEEDLE		
23	1	V060000140	Gear, DPAS-HCAA		
24	1	P100003640	Bevel Gear, Swing Gear HCA-265ES-HD		
25	1	P021054030	Transmission housing cpl., swivel unit, HCA-265ES-HD		
26	1	V187000080	GREASE NIPPLE		
27	1	V651001100	Spur gear part-turn gearbox HCA-265ES-HD		
28	2	90085706901	BEARING, BALL		
29	1	90070600012	CIRCLIP 12		
30	1	90070200024	Circlip, inside, 24 mm		
31	1	V623000110	pen, 5		
32	1	C534001101	Axle, swing gear HCA-265ES-HD		
33	1	9241108000	RING		
34	1	C465000040	Ring with teeth, part-turn gearbox HCA-265ES-HD		

Illustration bevel gear

Nr.	Antal	Kod	Beskrivning	Bilaga	Anmärkning
35	1	90017505012	BOLT, H.S.H		
36	1	90017505018	Screw M5x18, miter gear hedge trimmers		
37	1	90056000005	NUT, LOCK 5		
38	1	90072400035	O-RING 35		
39	1	V805000130	BOLT, TORX 5		
40	1	V805000170	BOLT, TORX 5		
41	1	C661000210	Safety Lever, Swing Gear HCA-265ES-HD		
42	1	V494001070	Cap, safety lever swivel gear HCA-265ES-HD		
43	1	C661000220	Safety Lever, Swing Gear HCA-265ES-HD		
44	1	V494000891	Cap, safety lever swivel gear HCA-265ES-HD		
45	2	V204000580	BOLT		
46	1	V452001740	spring safety lever swivel gear HCA-265ES-HD		
47	1	C403000880	Handle swing gear HCA-265ES-DH		
48	2	13104528230	COLLAR		
49	2	V805000150	BOLT, TORX 5		
50	1	V541000620	Gasket felt, cutting blade HCA-265ES-HD		

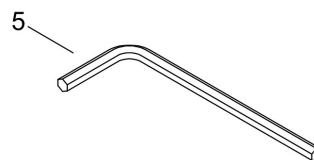
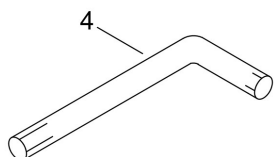
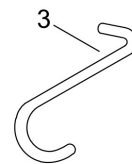
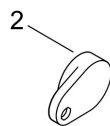
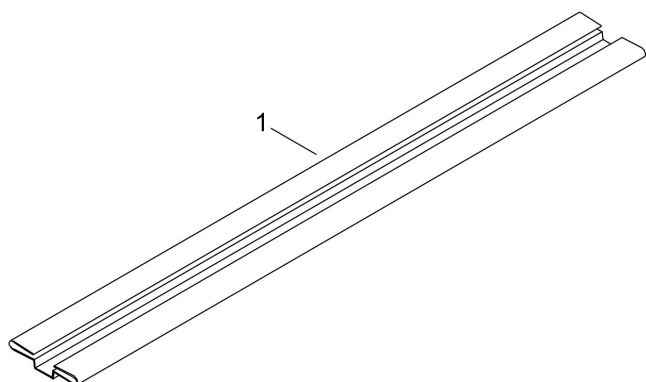


Illustration Accesories

Nr.	Antal	Kod	Beskrivning	Bilaga	Anmärkningar
1	1	X495000540	SCABBARD, BLADE		
2	1	C525000012	Protective cap, linkage 25 mm		
3	1	C649000121	HANGER, ATTACHEMENT		
4	1	X605000170	HEXA WRENCH		
5	1	89511200330	SPANNER 8*10		