

**MTA-DTB****Dokumenten**

Shaft

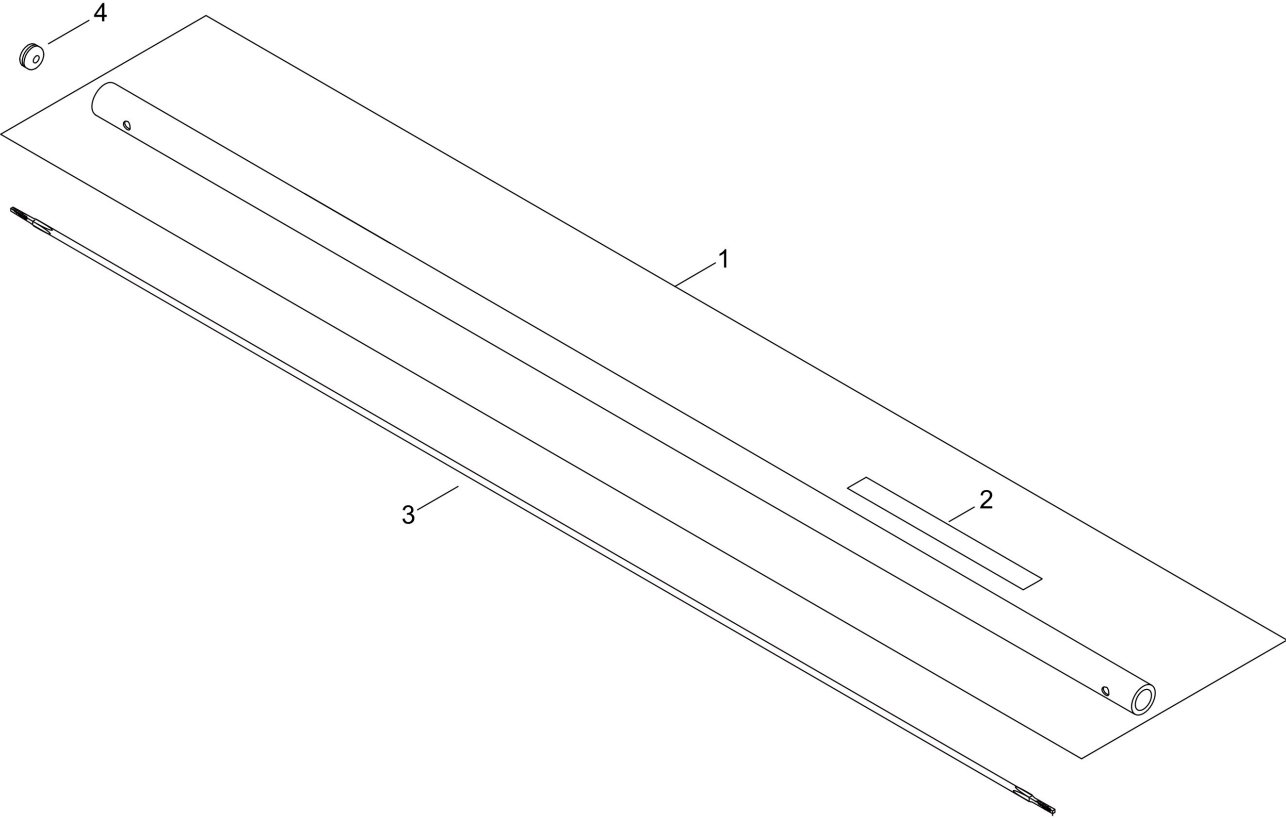
---

Angular gear, protection

---

Accessories

---

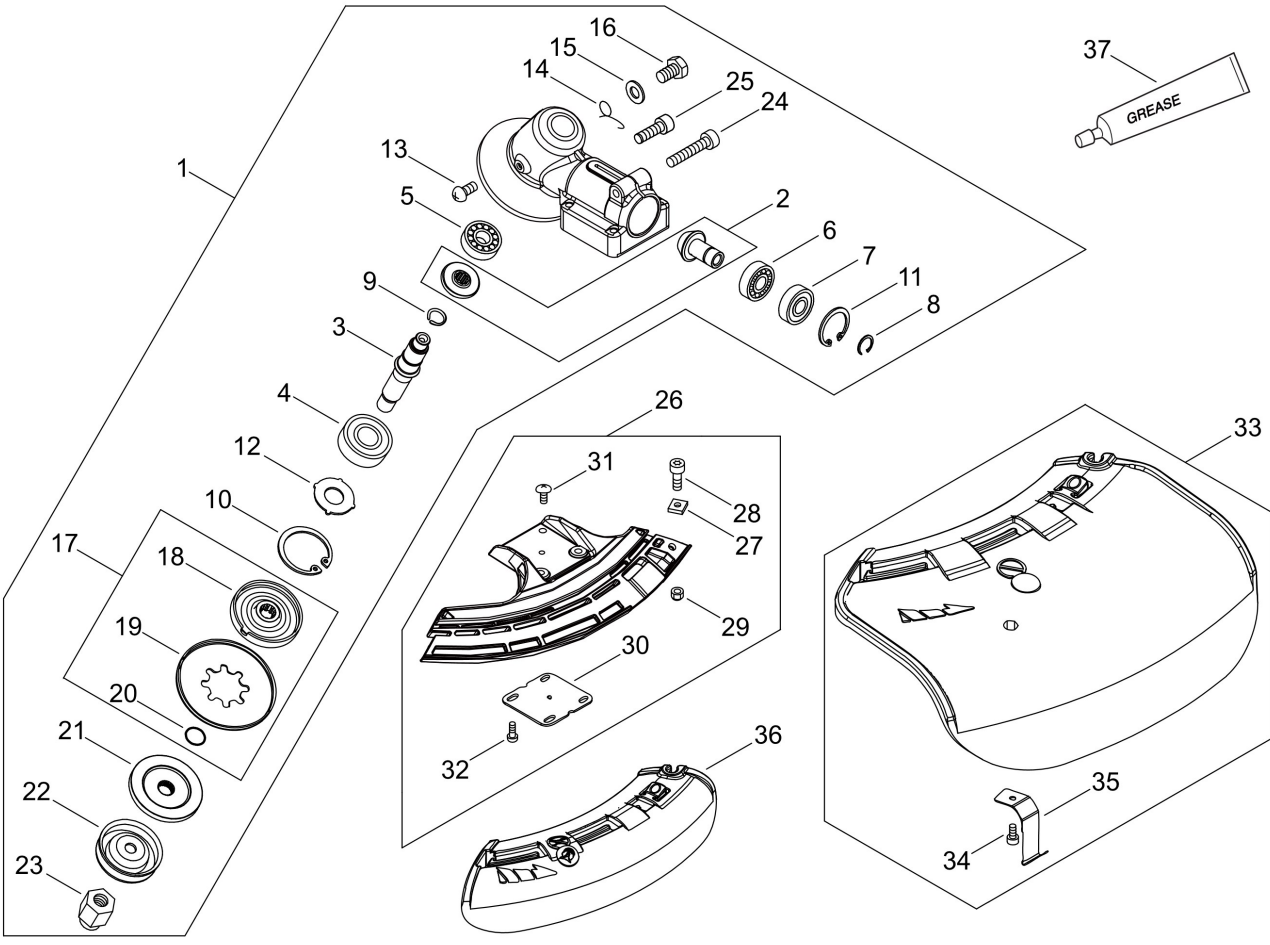


## Illustration Shaft

---

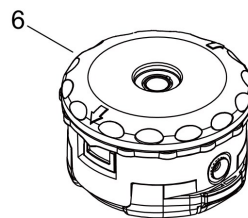
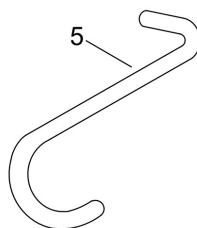
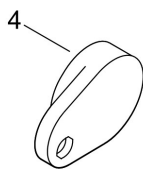
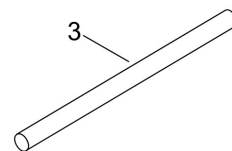
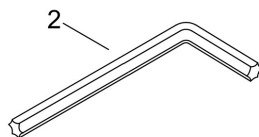
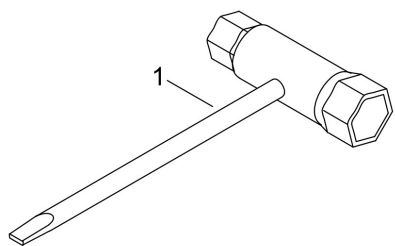
Nr.	Antal	Kod	Beskrivning	Bilaga	Anmärkningar
1	1	P100011090	Linkage, MTA-DTB		
2	1	X505011600	Sticker, DSRM-2600		
3	1	C504001500	Drive shaft, MTA-DTB, 6x754		
4	1	V145000800	GROMMET		

Illustration Angular gear, protection



## Illustration Angular gear, protection

Nr.	Antal	Kod	Beskrivning	Bilaga	Anmärkningar
1	1	P100011080	Angular gear cpl., MTA-DTB		
2	1	V000000250	Bevel gear set, MTA-DTB		
3	1	C534001080	Gear Shaft, SRM-236TES		
4	1	90081206201	BEARING, BALL 6201		
5	1	9411000629	Ball bearing bevel gear, MTA-DTB		
6	1	9411000609	Ball bearing bevel gear, MTA-DTB		
7	1	9411100609	Ball bearing bevel gear, MTA-DTB		
8	1	90070100009	SNAP RING		
9	1	90070600012	CIRCLIP 12		
10	1	90070200032	CIRCLIP 32		
11	1	90070200025	CIRCLIP 25		
12	1	V340000180	WASHER		
13	1	90022004006	BOLT		
14	1	V452001310	Spring		
15	1	90060350008	WASHER		
16	1	61043450031	BOLT 8*8		
17	1	P100009780	Fixing plate incl. black metal plate, SRM-222ES/SRM-265ES/SRM-300ES/SRM-420ES/-520ES		
18	1	61031352132	FIXTURE, BLADE		
19	1	61035256830	PLATE, CUP		
20	1	90072000012	O RING		
21	1	61031452130	PLATE, ADAPTER (L)		
22	1	69922956830	PLATE, COVER		
23	1	61032052130	NUT 10		
24	1	V806000020	BOLT, TORX 6		
25	1	V805000130	BOLT, TORX 5		
26	1	P100010520	Protection base plate, SRM-2621/SRM-3021/SRM-3611/		
27	1	90056500005	NUT		
28	1	V805000170	BOLT, TORX 5		
29	1	90056200005	Nut, Lock		
30	1	C552000200	PLATE, SHIELD		
31	1	9131604010	SCREW		
32	4	V805000260	BOLT, TORX 5		
33	1	P100010830	protection extension cpl. for line head, DSRM-2600		
34	1	V805000150	BOLT, TORX 5		
35	1	C554000090	Thread cutter, DSRM-2600		
36	1	C550000551	SHIELD, BLADE		
37	1	WA-X695-000060	Gear grease for bevel gears and ball bearings, 220 g		



## Illustration Accesories

---

Nr.	Antal	Kod	Beskrivning	Bilaga	Anmärkningar
1	1	X602000020	TOOL, WRENCH		
2	1	X605000170	HEXA WRENCH		
3	1	X606000080	LOCK LEVER		
4	1	C525000012	Protective cap, linkage 25 mm		
5	1	C649000121	HANGER, ATTACHEMENT		
6	1	FKA-400	Line head Speed-Feed 400, semi-automatic with quick loading function		