

MTA-PPE**Dokumenten**

Shaft

Cutting set, accessories

cutting head

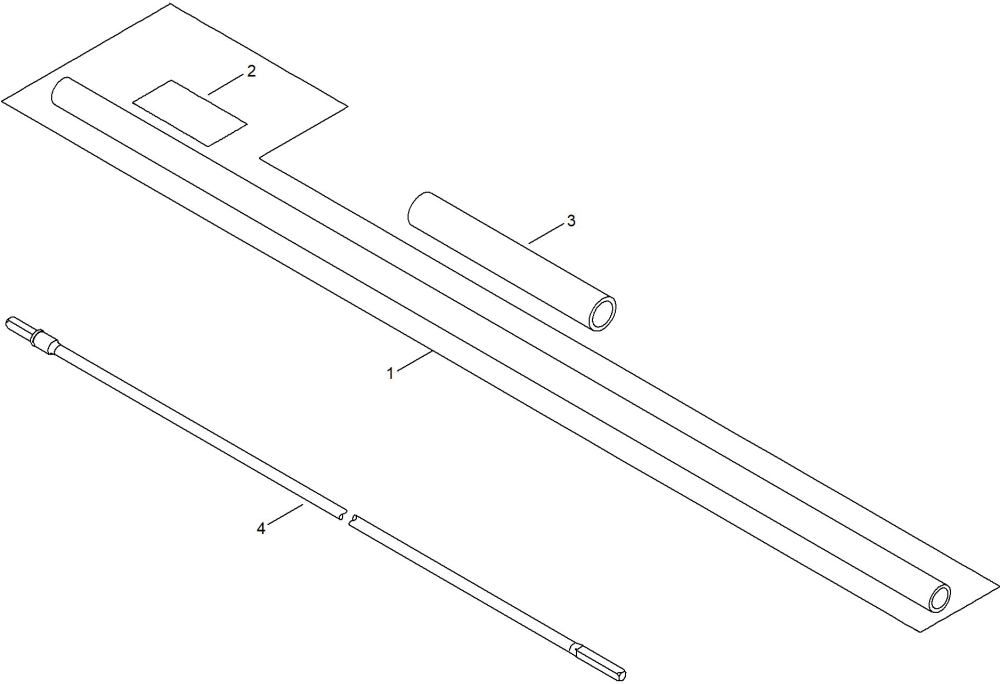


Illustration Shaft

Nr.	Antal	Kod	Beskrivning	Bilaga	Anmärkning
1	1	P100005840	Linkage, MTA-PPE		
2	1	X505001822	Sticker, caution, DPAS-PP		
3	1	35101221560	GRIP, HANDLE		
4	1	C506000530	Drive shaft flexible, DPAS-PP 1107 mm		

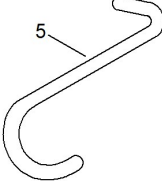
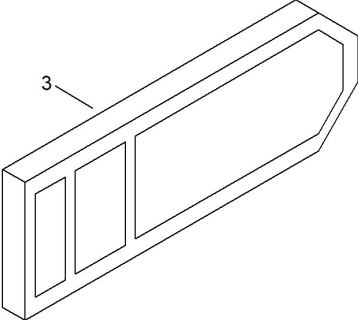
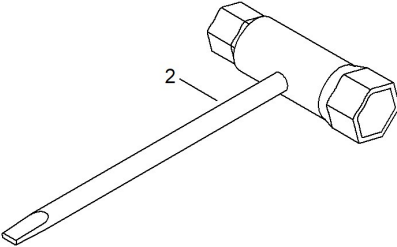
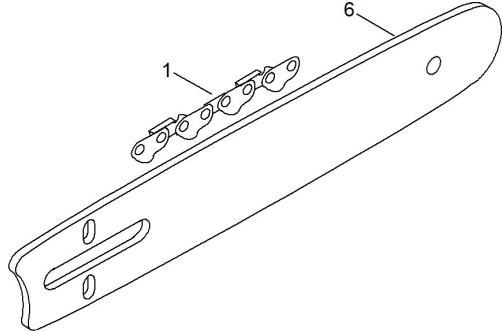


Illustration Cutting set, accessories

Nr.	Antal	Kod	Beskrivning	Bilaga	Anmärkningar
1	1	KE-2513-3839	Saw chain 25cm 3/8"H 39 drive links, pitch 3/8"H		
2	1	89541039132	WRENCH, W/S-DRIVER		
3	1	X490000060	SCABBARD, CHAIN		
4	1	C525000012	Protective cap, linkage 25 mm		
5	1	C649000121	HANGER, ATTACHEMENT		
6	1	X121000060	BAR, GUIDE 25		

Illustration cutting head

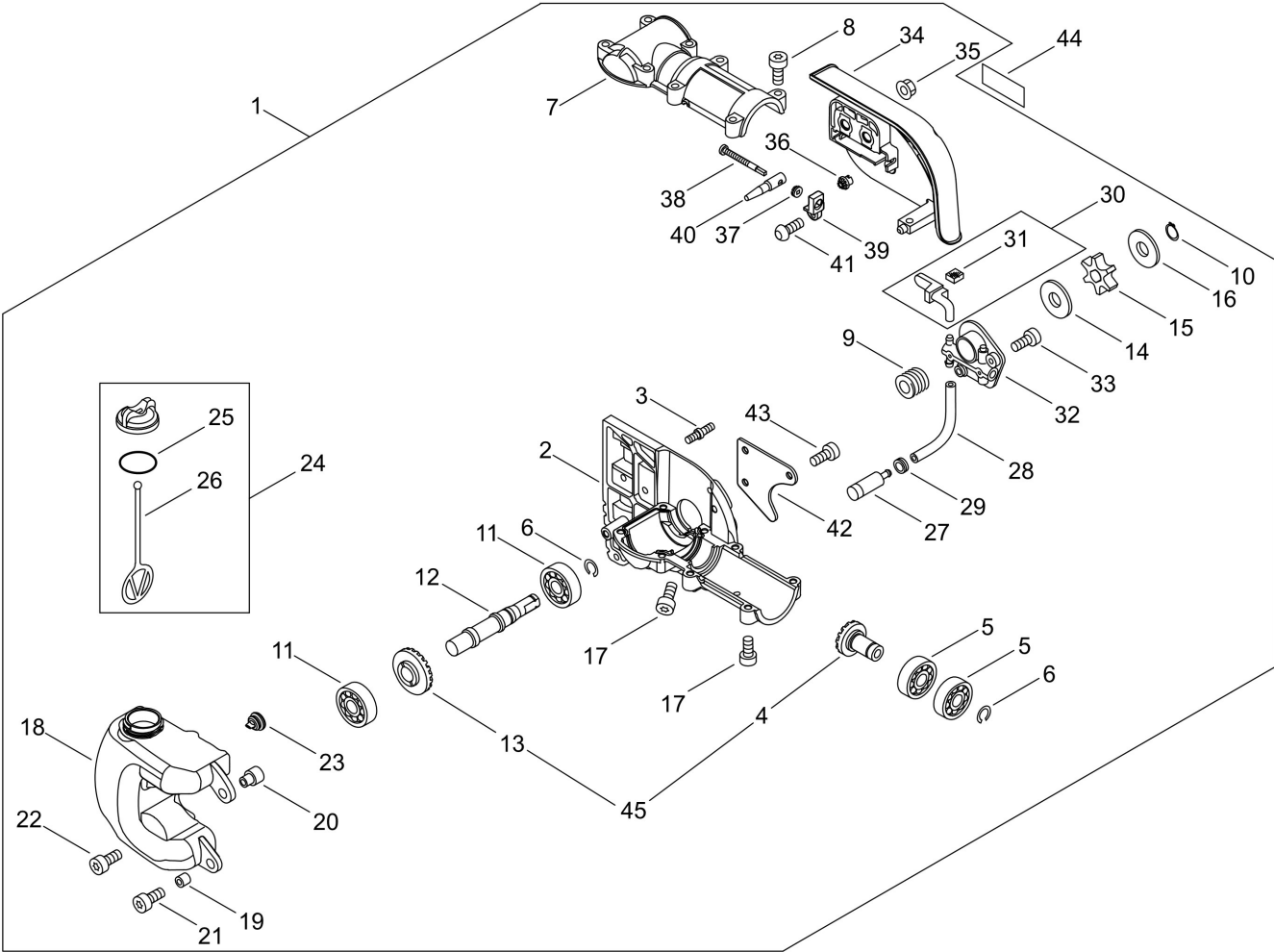


Illustration cutting head

Nr.	Antal	Kod	Beskrivning	Bilaga	Anmärkningar
1	1	P100005830	Cutting head complete, without bar + chain MTA-PPE		
2	1	C531000460	CASE,GEAR		
3	2	V224000040	BOLD, STUD 6		
4	1	V651000230	GEAR, BEVEL	TI_Y2019-668	bis S.-Nr.: 35101420
5	2	9405206001	BEARING, BALL		
6	2	90070600012	CIRCLIP 12		
7	1	C531000010	CASE GEAR		
8	8	V805000170	BOLT, TORX 5		
9	1	43706338330	GEAR, WORM		
10	1	V583000090	RING		
11	2	9405206001	BEARING, BALL		
12	1	C534000430	SHAFT, GEAR		
13	1	V651000201	Drive wheel, cutting head PPT-300ES	TI_Y2019-668	bis S.-Nr.: 35101420
14	1	17501439131	WASHER, CLUTCH		
15	1	C580000070	SPROCKET, DRIVE		
16	1	V307000160	WASHER, CIRCULAR 10		
17	2	V805000130	BOLT, TORX 5		
18	1	C200000081	TANK, OIL		
19	2	13104528230	COLLAR		
20	1	V354000010	COLLAR		
21	2	V805000160	BOLT, TORX 5		
22	1	V805000170	BOLT, TORX 5		
23	1	13131406320	VALVE, CHECK		
24	1	P021005591	CAP ASY		
25	1	90072000018	O-RING 18		
26	1	A365000050	CONNECTOR,CAP		
27	1	P100001900	Oil Filter, 4510ES, 451s		
28	1	13011012330	PIPE		
29	1	13211501461	GROMMET		
30	1	P100003330	Oil line, PPT-2620HES		
31	1	43724439130	PAD, FORM		
32	1	C022000010	OILER, ASM AUTO		
33	2	V805000130	BOLT, TORX 5		
34	1	C300000920	GUARD, SPROCKET		
35	2	43301903933	NUT, FLANGE 6		
36	1	V651000320	GEAR, BEVEL		
37	1	V651000310	GEAR, BEVEL		
38	1	V203000041	BOLT, 5		
39	1	V355000140	COLLAR, 8		
40	1	C309000030	TENSIONER, CHAIN		
41	1	V252000040	BOLT HSH		
42	1	C649000140	HOOK		
43	3	V805000130	BOLT, TORX 5		

Illustration cutting head

Nr.	Antal	Kod	Beskrivning	Bilaga	Anmärkning
44	1	X502000600	LABEL, ECHO		
45	1	P021009731	GEAR, BEVEL SET	TI_Y2019-668	bis S.-Nr.: 35101420
45	1	P021009732	SET spur gears pruner MTA-PP		