

MTA-PS



Dokumenten

Shaft

gearcase, upper

broom

Accessories

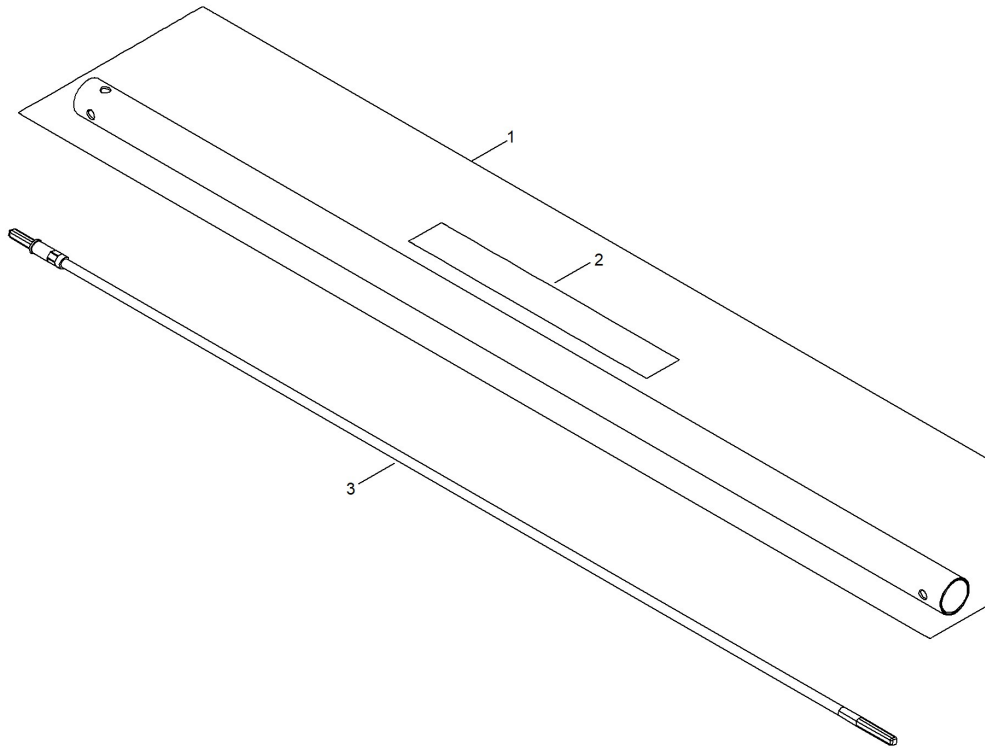


Illustration Shaft

| Nr. | Antal | Kod | Beskrivning | Bilaga | Anmärkning |
|-----|-------|-------------|--|--------|------------|
| 1 | 1 | P100010670 | Linkage, MTA-PS | | |
| 2 | 1 | 89016025560 | Lable | | |
| 3 | 1 | C506000480 | Flexible drive shaft, DPAS TRIMMER 752 mm | | |

Illustration gearcase, upper

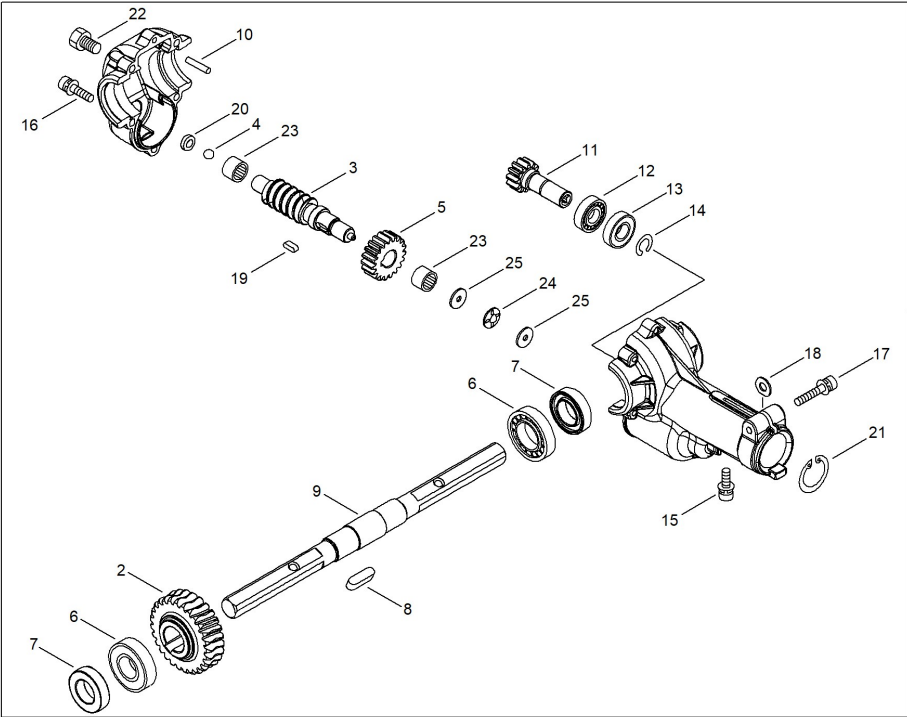


Illustration gearcase, upper

| Nr. | Antal | Kod | Beskrivning | Bilaga | Anmärkningar |
|-----|-------|-------------|--|--------|--------------|
| 1 | 1 | C051000301 | Transmission cpl., mounted broom | | |
| 2 | 1 | V653000000 | GEAR, SPUR | | |
| 3 | 1 | V652000060 | GEAR, WORM | | |
| 4 | 1 | V585000030 | ball | | |
| 5 | 1 | V650000380 | GEAR, SPUR | | |
| 6 | 2 | 9400306003 | BEARING, BALL | | |
| 7 | 2 | 60541611050 | Oilseal | | |
| 8 | 1 | V381000000 | KEY, WOODRUFF | | |
| 9 | 1 | C534000490 | Brush drive shaft PAS brush roller 999442-00853 | | |
| 10 | 1 | V622000030 | pin | | |
| 11 | 1 | V650000370 | GEAR, SPUR | | |
| 12 | 1 | 90085506901 | BEARING BALL 6901 | | |
| 13 | 1 | 90085706901 | BEARING, BALL | | |
| 14 | 1 | 90070600012 | CIRCLIP 12 | | |
| 15 | 1 | 90016205012 | Bolt, H.S. 5*12 | | |
| 16 | 5 | 90016205020 | BOLT, H.S. 5*20 | | |
| 17 | 1 | 90016206030 | BOLT | | |
| 18 | 1 | V340000220 | WASHER | | |
| 19 | 1 | V381000010 | KEY, WOODRUFF | | |
| 20 | 1 | V376001040 | SPACER | | |
| 21 | 1 | 61033521460 | BUSHING | | |
| 22 | 1 | 90010008010 | BOLT 8*10 | | |
| 23 | 2 | V555000060 | BEARING, NEEDLE 10 | | |
| 24 | 1 | V590000010 | BEARING THRUST | | |
| 25 | 2 | V340000230 | WASHER | | |

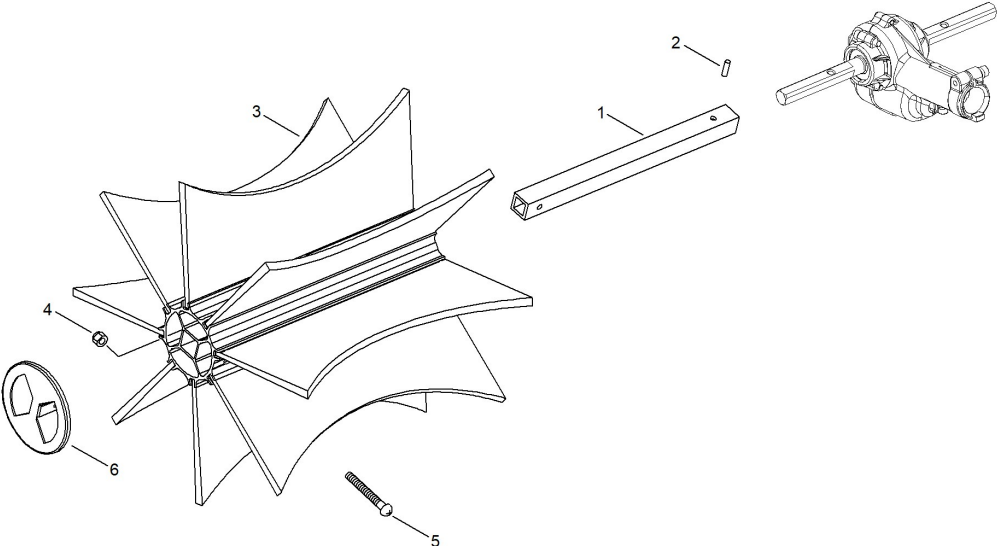


Illustration broom

| Nr. | Antal | Kod | Beskrivning | Bilaga | Anmärkningar |
|-----|-------|-------------|-----------------|--------|--------------|
| 1 | 2 | C517000070 | COUPLING, SHAFT | | |
| 2 | 2 | 40452325560 | PIN,STRAIGHT | | |
| 3 | 2 | P021007010 | BRUSH KIT | | |
| 4 | 2 | 90056000005 | NUT, LOCK 5 | | |
| 5 | 2 | 90022005030 | SCREW 5*30 | | |
| 6 | 2 | 25023025561 | CAP,HOLDER | | |

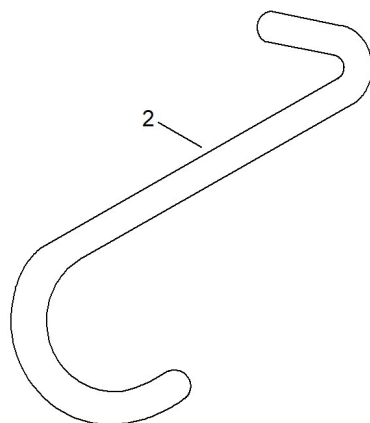
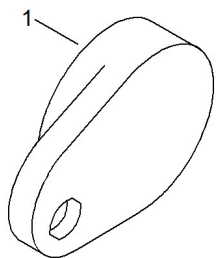


Illustration Accesories

| Nr. | Antal | Kod | Beskrivning | Bilaga | Anmärkning |
|-----|-------|------------|-------------------------------|--------|------------|
| 1 | 1 | C525000012 | Protective cap, linkage 25 mm | | |
| 2 | 1 | C649000121 | HANGER, ATTACHEMENT | | |