

MTA-TB



Dokumenten

line head

Shaft

Angular gear, protection

Accesories

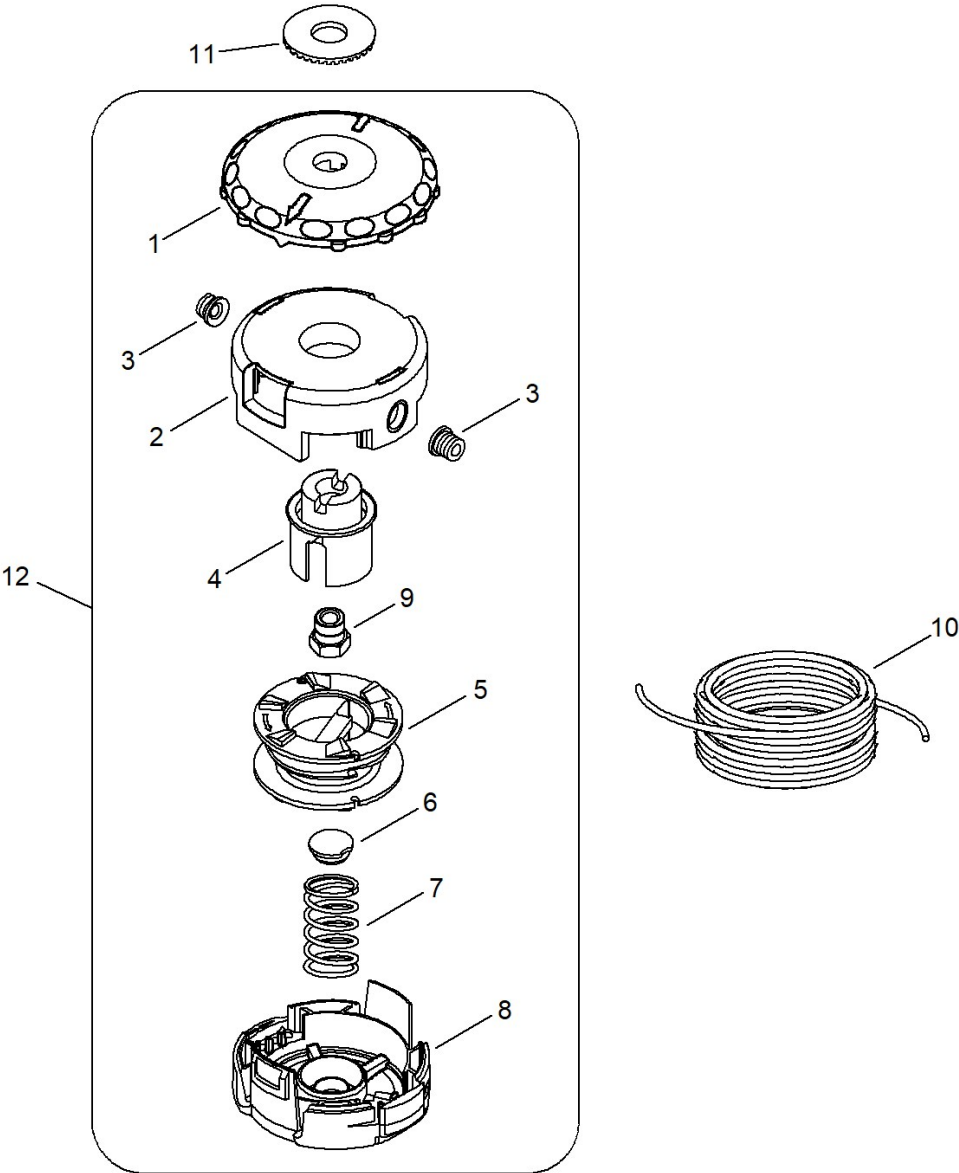


Illustration line head

Nr.	Antal	Kod	Beskrivning	Bilaga	Anmärkningar
1	1	E415000180	Lid, FKA-400 Speed Feed		
2	1	X470000340	Upper part housing, speed feed 400		
3	2	X475000110	EYELETS		
4	1	X476000040	Thread spool center section, FKA-400 Speed Feed for left-hand thread, black		
5	1	X473000130	Line spool, FKA-400 Speed Feed		
6	1	V494000840	SPRING CAP		
7	1	V450001880	SPRING, COMPRESSION		
8	1	X472000070	Housing lower part, Speed-Feed 400		
9	1	V160000210	Insert, FKA-400 Speed Feed, M10x1.25 left-hand thread 21 mm high, blue		
10	1	N-24-012	Nylon thread, round, Ø 2.4 mm, length 12 m		
10	1	N-24-090	Nylon thread round Ø 2.4 mm, length 90 m		
10	1	N-24-012LN	Nylon thread low noise, Ø 2.4 mm, length 12 m		
10	1	N-24-070LN	Nylon thread low noise Ø 2.4 mm, length 70 m		
10	1	N-24-012BD	Nylon thread Black Diamond Ø 2.4 mm, length 12 m		
10	1	N-24-077BD	Nylon thread Black Diamond Ø 2.4 mm, length 77 m		
11	1	V332000090	Washer ø24, MTA-TB		
12	1	FKA-400	Line head Speed-Feed 400, semi-automatic with quick loading function		

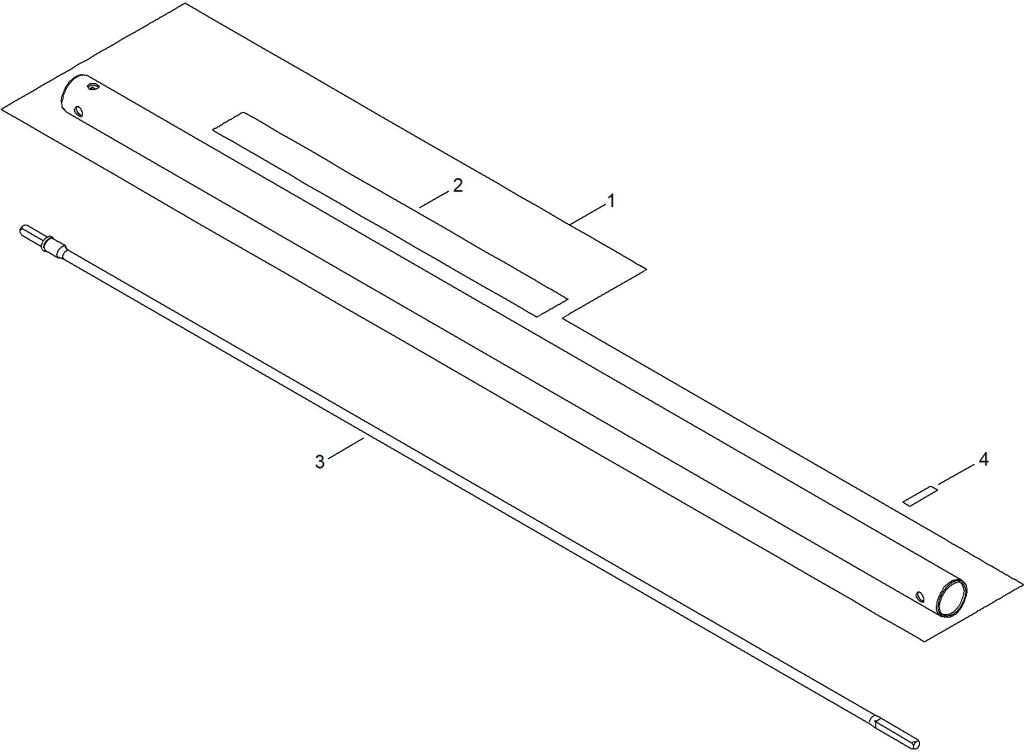


Illustration Shaft

Nr.	Antal	Kod	Beskrivning	Bilaga	Anmärkningar
1	1	P100005800	Linkage, MTA-TB		
2	1	89061743130	LABEL, CAUTION		
3	1	C506000480	Flexible drive shaft, DPAS TRIMMER 752 mm		
4	1	89015204930	Lable		

Illustration Angular gear, protection

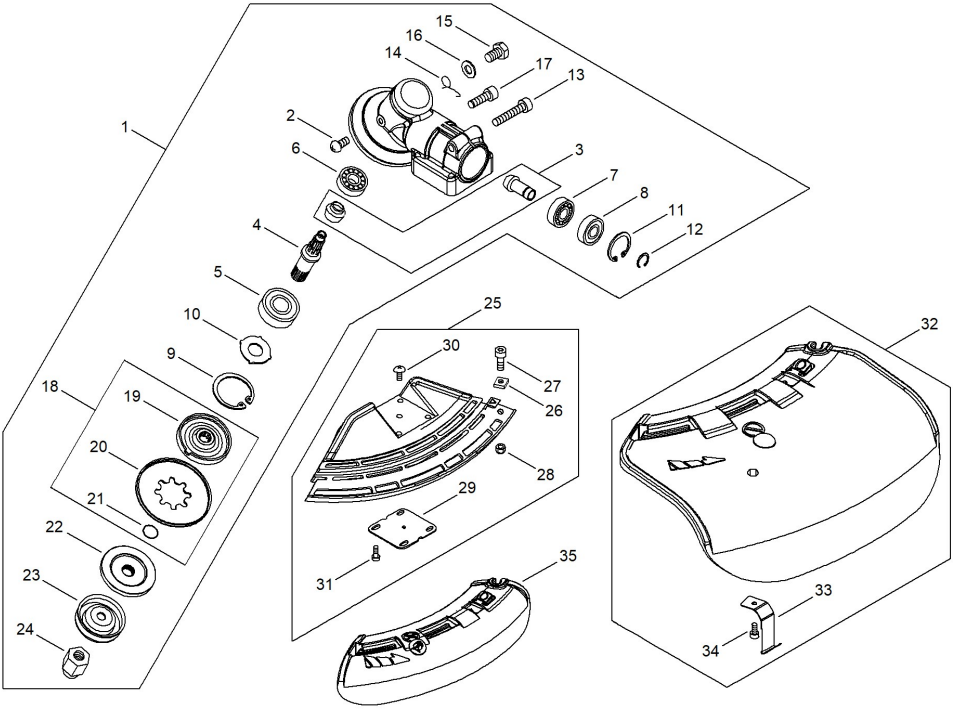


Illustration Angular gear, protection

Nr.	Antal	Kod	Beskrivning	Bilaga	Anmärkningar
1	1	P100005790	Angular gear cpl., MTA-TB		
2	1	90022004006	BOLT		
3	1	61030042330	GEAR SET		
4	1	61031056832	SHAFT, P.T.O.		
5	1	90081206201	BEARING, BALL 6201		
6	1	9406000626	BEARING, BALL		
7	1	9406006900	BEARING, BALL		
8	1	9406306900	BEARING, BALL		
9	1	90070200032	CIRCLIP 32		
10	1	61044456830	Washer		
11	1	90070200022	CIRCLIP 22		
12	1	90070600010	CIRCLIP 10		
13	1	V806000020	BOLT, TORX 6		
14	1	V452001310	Spring		
15	1	61043450031	BOLT 8*8		
16	1	90060350008	WASHER		
17	1	V805000130	BOLT, TORX 5		
18	1	61031352932	FIXTURE, BLADE		
19	1	61031352132	FIXTURE, BLADE		
20	1	61035256830	PLATE, CUP		
21	1	90072000012	O RING		
22	1	61031452130	PLATE, ADAPTER (L)		
23	1	69922956830	PLATE, COVER		
24	1	61032052130	NUT 10		
25	1	P021050820	Protection base plate cpl., C262S		
26	1	90056500005	NUT		
27	1	V805000170	BOLT, TORX 5		
28	1	90056200005	Nut, Lock		
29	1	C552000200	PLATE, SHIELD		
30	1	9131604010	SCREW		
31	4	V805000260	BOLT, TORX 5		
32	1	P021042900	SHIELD ASY, BLADE		
33	1	C554000030	KNIFE, CORD		
34	1	V805000150	BOLT, TORX 5		
35	1	C550000541	SHIELD, BLADE		

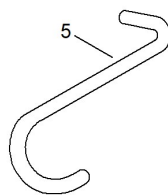
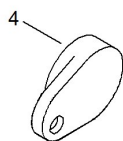
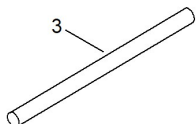
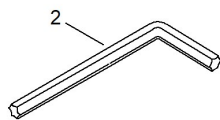
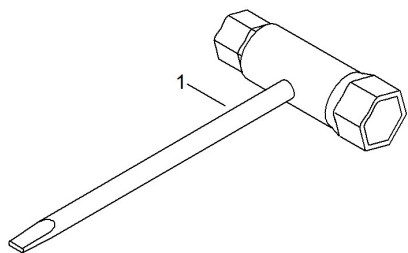


Illustration Accesories

Nr.	Antal	Kod	Beskrivning	Bilaga	Anmärkningar
1	1	X602000020	TOOL, WRENCH		
2	1	X605000170	HEXA WRENCH		
3	1	X606000080	LOCK LEVER		
4	1	C525000012	Protective cap, linkage 25 mm		
5	1	C649000121	HANGER, ATTACHEMENT		