

PB-2620



Dokumenten

MUFFLER

blowguns

THROTTLE LEVER ASSY

crankcase

fan, housing

AIR CLEANER

Engine

Starter, Assy

FUEL TANK

Carburettor WYG-14

Accessories

ignition

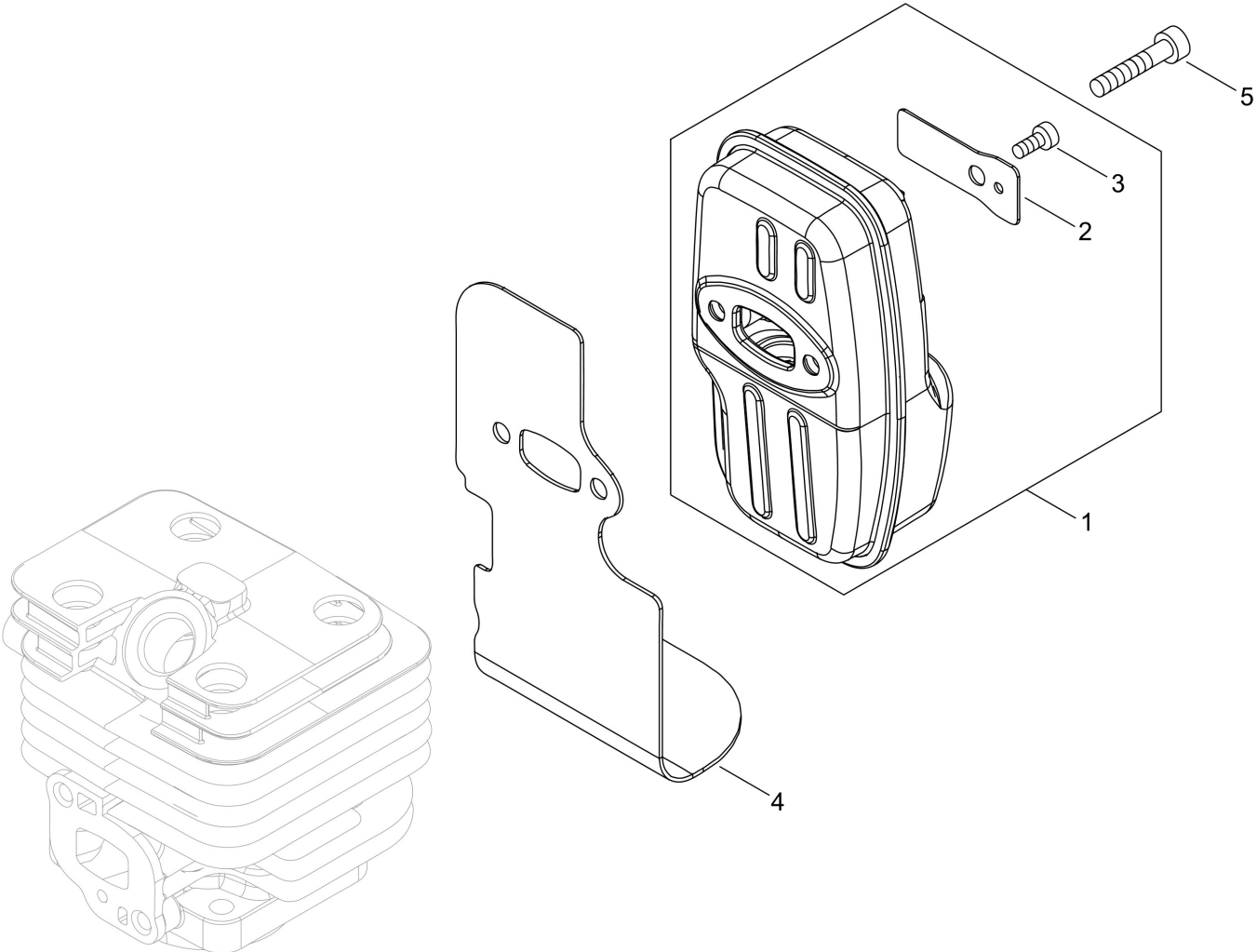


Illustration MUFLER

Nr.	Antal	Kod	Beskrivning	Bilaga	Anmärkningar
1	1	P021052830	Exhaust PB-2620		
2	1	A310000510	Spark arrestor screen, EB252		
3	1	V804000030	BOLT, TORX 4		
4	1	V104002350	Gasket, exhaust, PB-2520/EB252		
5	2	V805000210	BOLT, TORX 5		

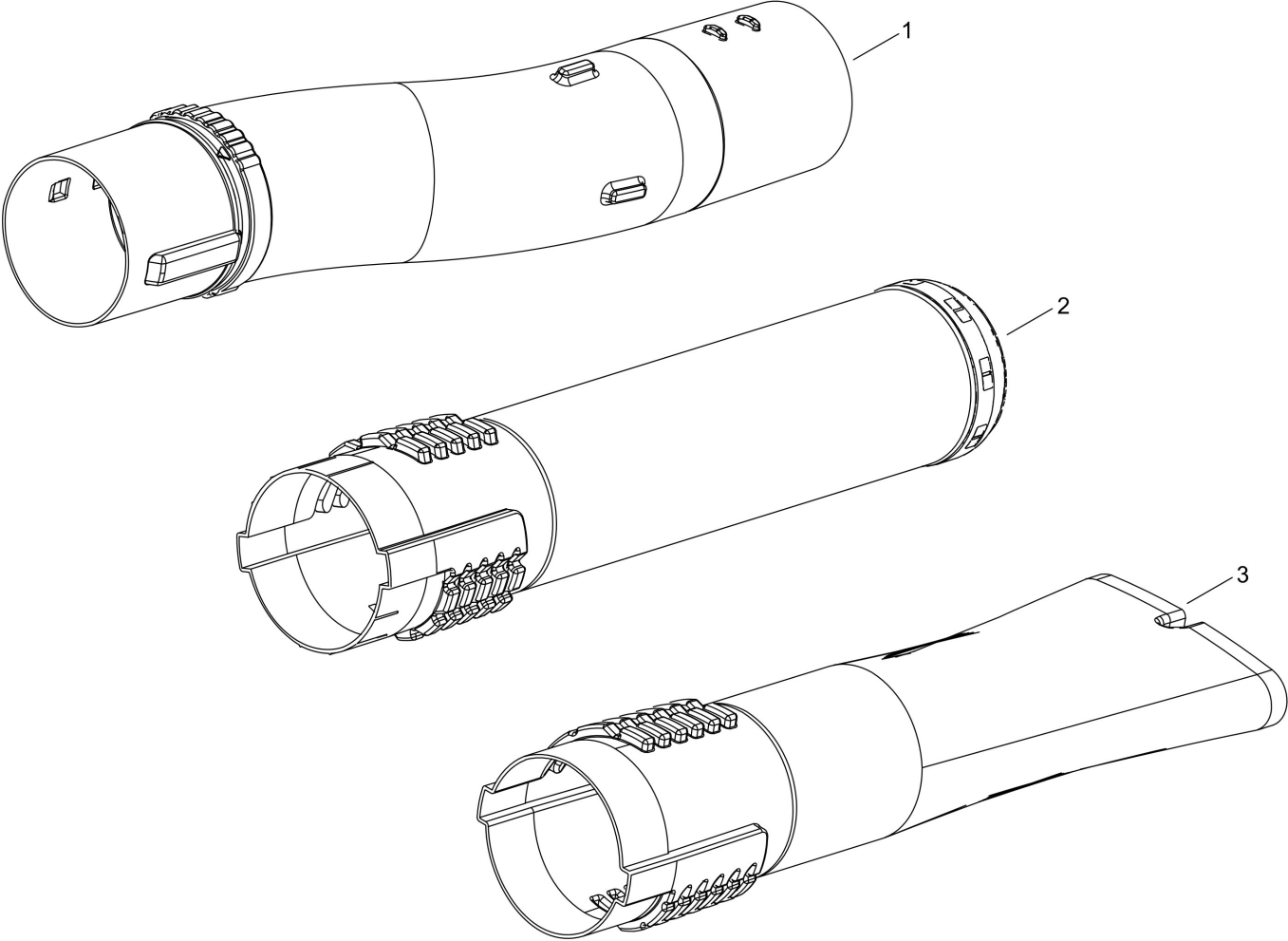


Illustration blowguns

Nr.	Antal	Kod	Beskrivning	Bilaga	Anmärkningar
1	1	E165000951	Curved air line, PB-2520/EB252		
2	1	E165001040	Air Line, Round Nozzle, PB-2620		
3	1	E165000980	Air Line, Flat Nozzle, PB-2620		

Illustration THROTTLE LEVER ASSY

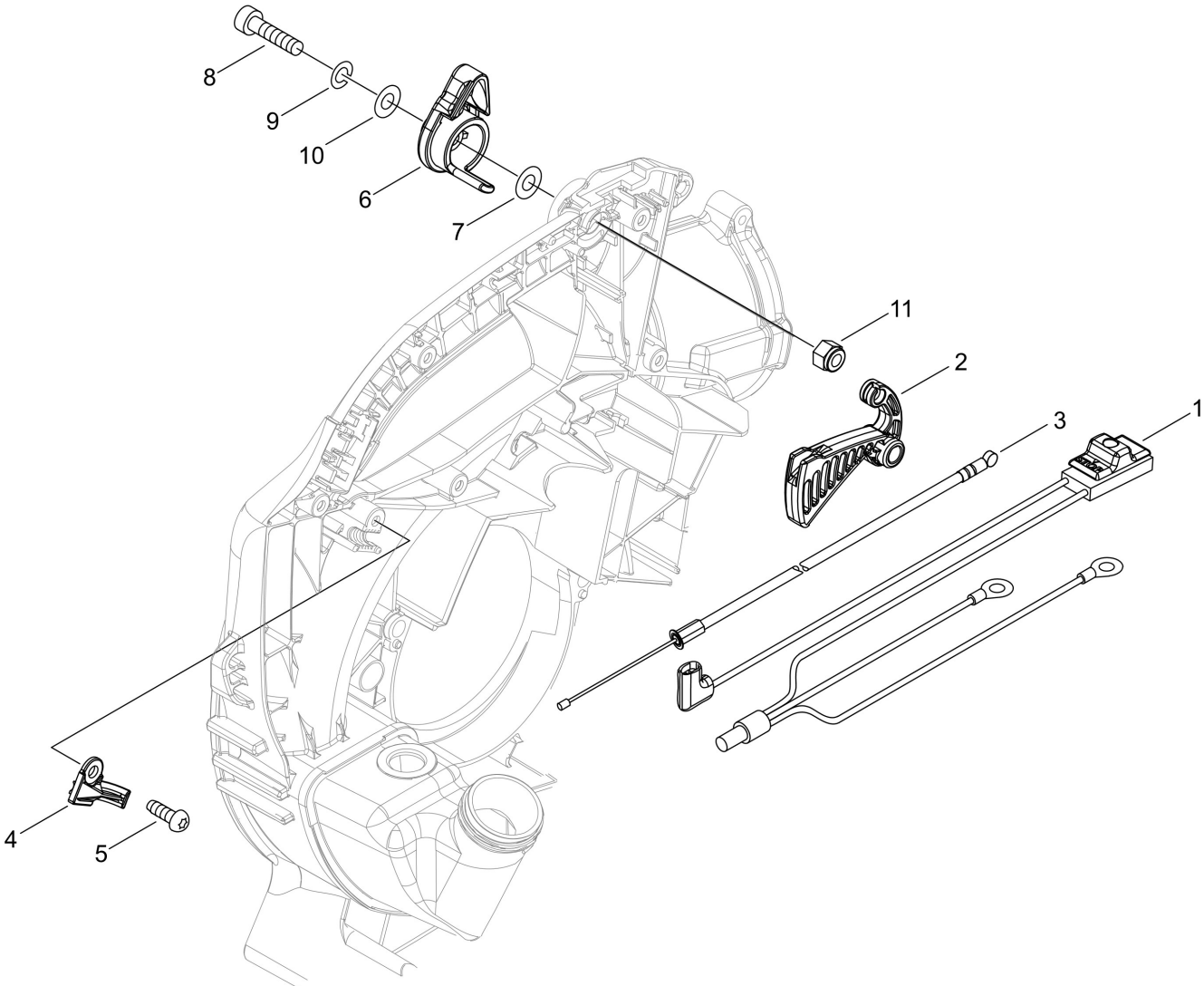


Illustration THROTTLE LEVER ASSY

Nr.	Antal	Kod	Beskrivning	Bilaga	Anmärkningar
1	1	P021052770	Stop switch complete, PB-2620		
2	1	C450001050	Throttle PB-2620		
3	1	V430005240	Throttle cable, PB-2620		
4	1	C480000220	Guide, throttle cable, PB-2620		
5	1	V805000240	BOLT, TORX 5		
6	1	C453000300	CONTROL, THROTTLE		
7	1	90060300005	WASHER 5		
8	1	V805000220	BOLT, TORX 5		
9	1	90060500005	WASHER, SPRING 5		
10	1	90060200005	Washer		
11	1	90056250005	LOCKNUT 5		

Illustration crankcase

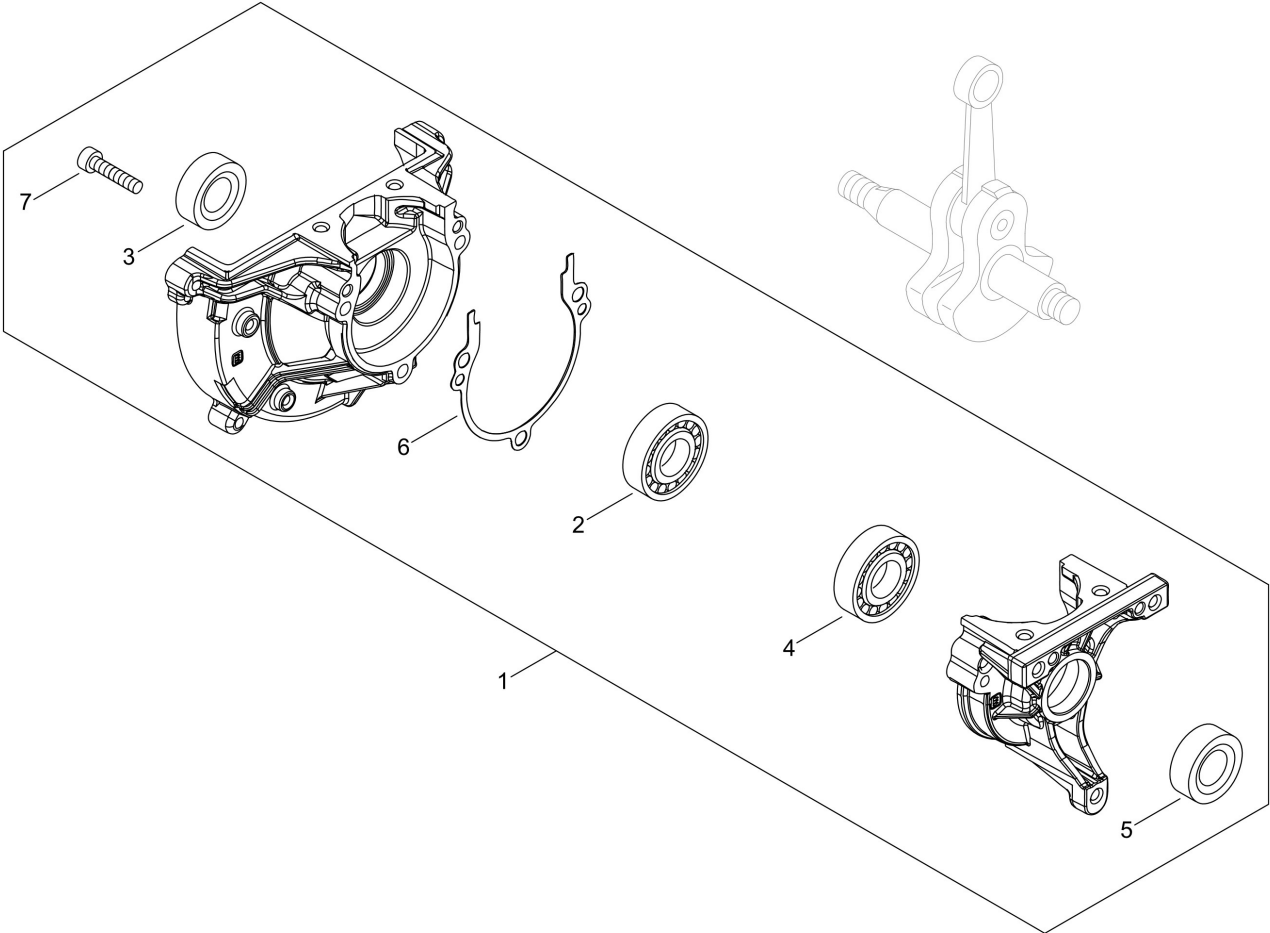


Illustration crankcase

Nr.	Antal	Kod	Beskrivning	Bilaga	Anmärkningar
1	1	P021052790	Crankcase complete, PB-2620		
2	1	90080036001	BEARING, BALL 6001		
3	1	10021242031	OILSEAL		
4	1	90081036000	BEARING, BALL		
5	1	V503000040	Oil seal SRM-2620ES		
6	1	V102000300	Gasket, crankcase, SRM-2620ES/PAS-2620/ PB-2620		
7	3	V805000220	BOLT, TORX 5		

Illustration fan, housing

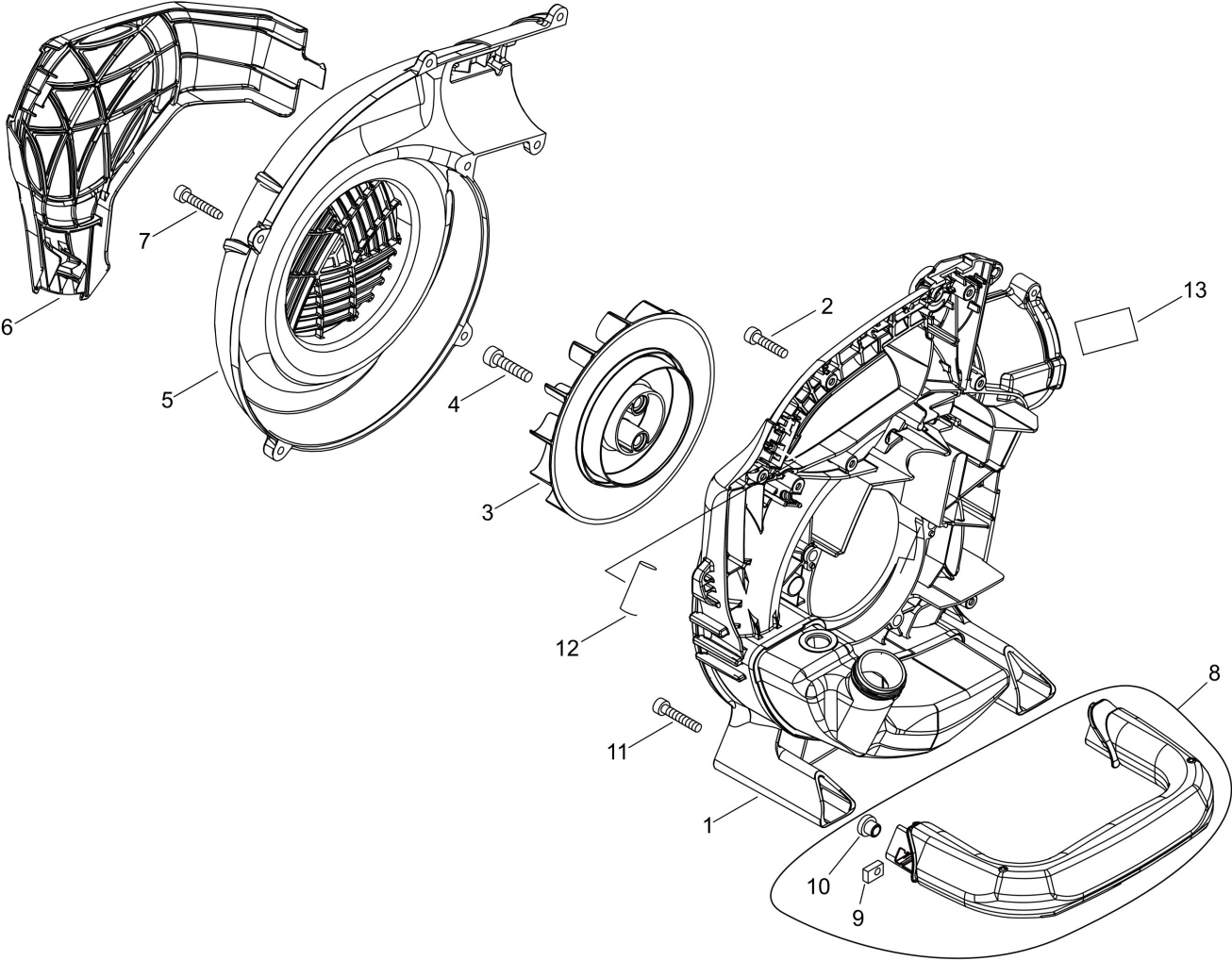


Illustration fan, housing

Nr.	Antal	Kod	Beskrivning	Bilaga	Anmärkningar
1	1	E103001540	Fan housing right, with tank, PB-2620		
2	4	V805000150	BOLT, TORX 5		
3	1	E100000290	Fan wheel (black), EB252, EB262, PB2520, PB-2620		
4	2	V806000010	BOLT, TPRX 5		
5	1	E103001470	Fan housing left, PB-2520		
6	1	E104000270	Grille, fan PB-2520/EB252		
7	7	V805000010	BOLT, TORX 5		
8	1	C041000810	Complete side handle, PB-2620		
9	2	V263000530	Nut, side handle, 8x12xT4 M 5, PB-2620		
10	2	V353000750	Bushing, Guide, PB-2620		
11	2	V805000160	BOLT, TORX 5		
12	1	C688000070	Weight, PB-2620		
13	1	X505010760	Caution sticker,PB-2620		

Illustration AIR CLEANER

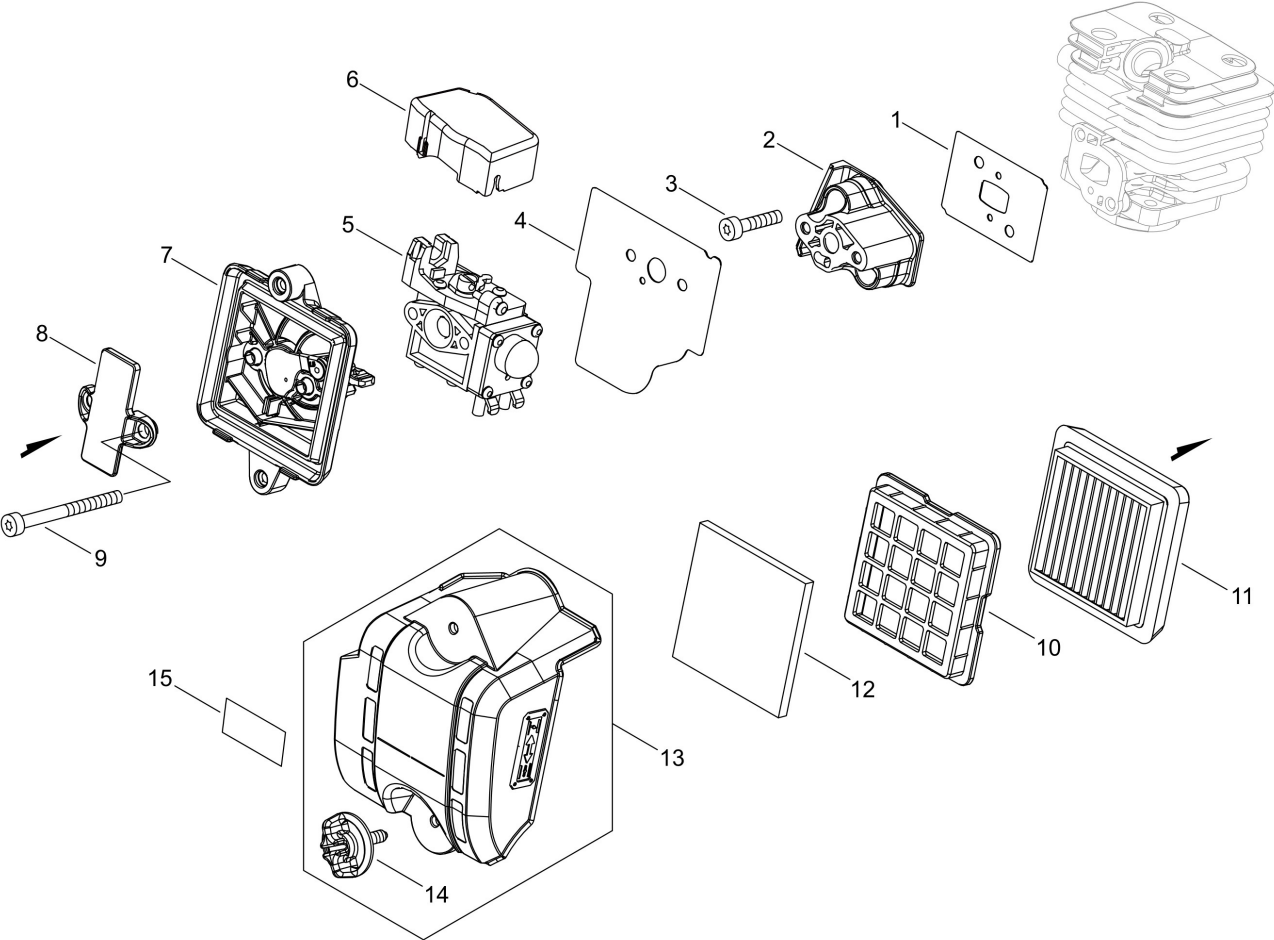


Illustration AIR CLEANER

Nr.	Antal	Kod	Beskrivning	Bilaga	Anmärkningar
1	1	V103001950	Gasket inlet PB-2520/EB252		
2	1	A200001220	Adapter flange cylinder carburettor, PB-2620		
3	2	V253000990	Screw, M5x20 pre-coated with screw lock		
4	1	V103002070	Gasket carburetor - flange, PB-2620		
5	1	A021004930	Carburettor WYG-14, PB-2620		
6	1	A127000540	Dust cover carburetor PB-2620		
7	1	P021052810	Air filter housing PB-2620		
8	1	A244000360	Plate, air cleaner housing PB-2620		
9	2	V805000340	Screw 5x60, 10.9		
10	1	A227000050	Protective grille air filter, SRM-2620ES		
11	1	A226002030	Air filter, SRM-2620ES/SRM-3020TES/C-26 2s		
12	1	A226002040	Pre-Filter, SRM-2620TES/SRM-3020TES		
13	1	P021052800	Air filter cover PB-2620		
14	2	A235000380	Air cleaner cover plug, PB-580		
15	1	X530000610	Sticker, X-Series, PB-2620		

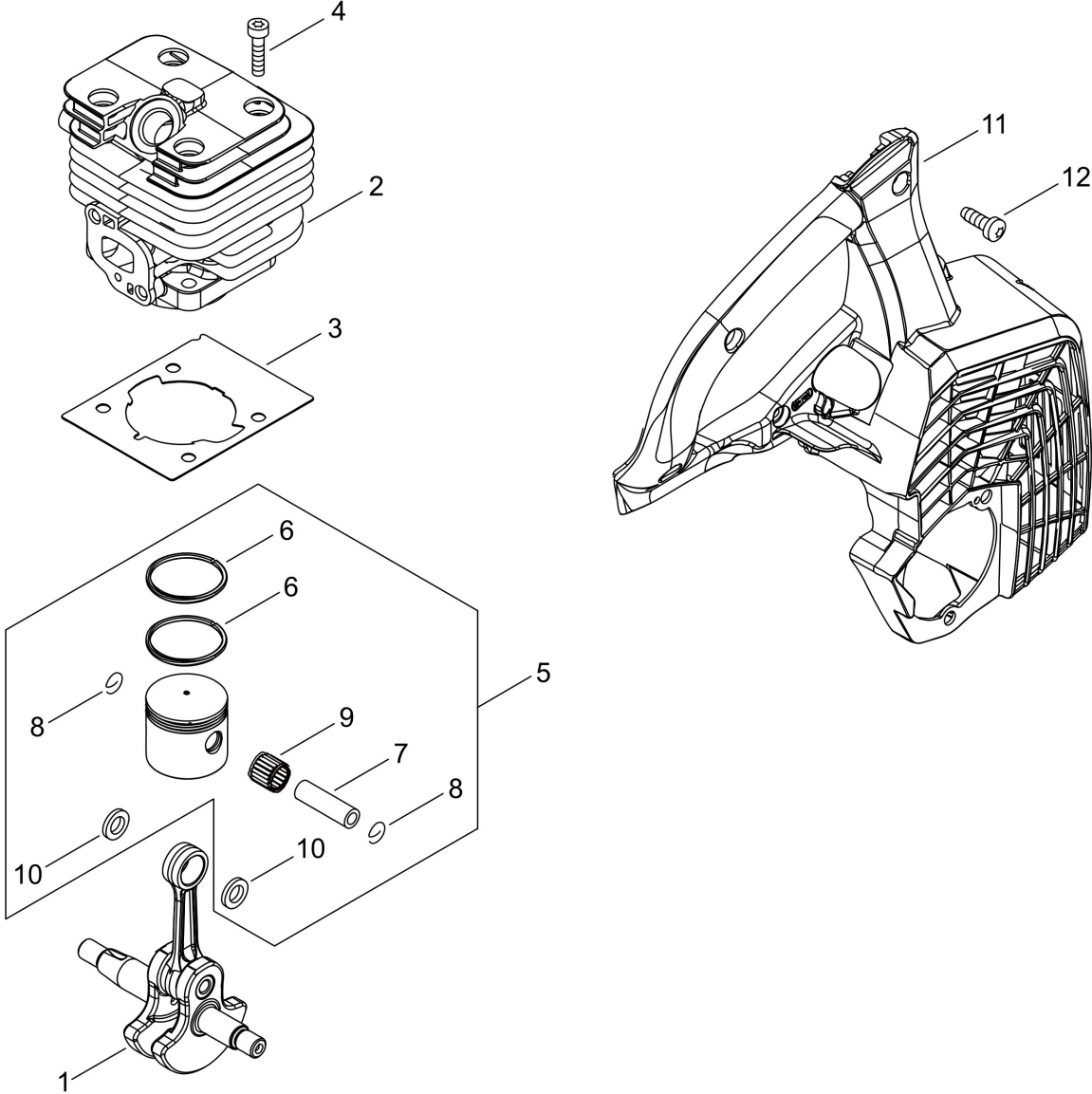


Illustration Engine

Nr.	Antal	Kod	Beskrivning	Bilaga	Anmärkningar
1	1	A011001570	Crankshaft, PB-2620		
2	1	A130002370	Cylinder, PB-2620		
3	1	V100000860	Gasket, cylinder, PB-2520/PB-2620/EB252/		
4	4	V805000210	BOLT, TORX 5		
5	1	P021052780	Piston cpl. PB-2620		
6	2	A101000010	RING, PISTON		
7	1	10001335430	PIN, PISTON		
8	2	10001503931	GRIP RING		
9	1	V554000020	Needle bearing SRM-2620ES		
10	2	10001453630	SPACER, PISTON PIN		
11	1	A190001640	Cover engine, PB-2620		
12	6	V805000010	BOLT, TORX 5		

Illustration Starter, Assy

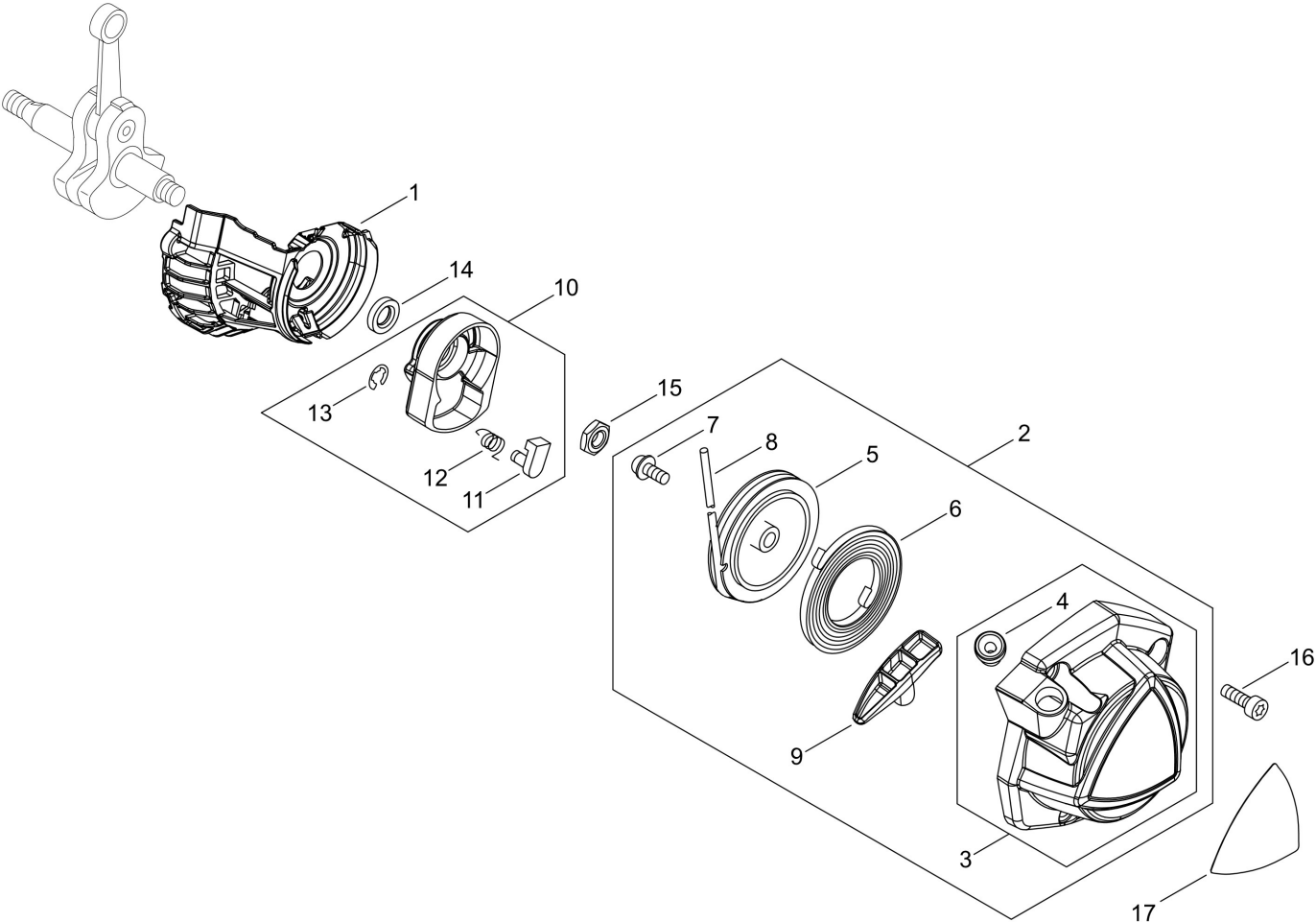


Illustration Starter, Assy

Nr.	Antal	Kod	Beskrivning	Bilaga	Anmärkningar
1	1	A127000510	Dust cover, EB252		
2	1	A051003310	Starter complete, PB-2520/EB252		
3	1	P022048990	Housing starter EB252		
4	1	P022045770	Cable guide, C262TS		
5	1	P022049000	Pulley, PB-2520/EB252		
6	1	P022019680	SPRING, SPIRAL		
7	1	17723644330	SCREW		
8	1	P022049010	Starter rope, PB-2520/EB252		
9	1	P022036700	GRIP, STARTER		
10	1	A052000520	Starter pawl PB-2620		
11	1	A514000120	RACHET		
12	1	17723440630	SPRING, RETURN		
13	1	P022002100	E-RING		
14	1	V306000620	Disc, PB-2620		
15	1	90050200008	Nut 8 (3N)		
16	3	V805000150	BOLT, TORX 5		
17	1	X547003480	Sticker, "ECHO", PB2620		

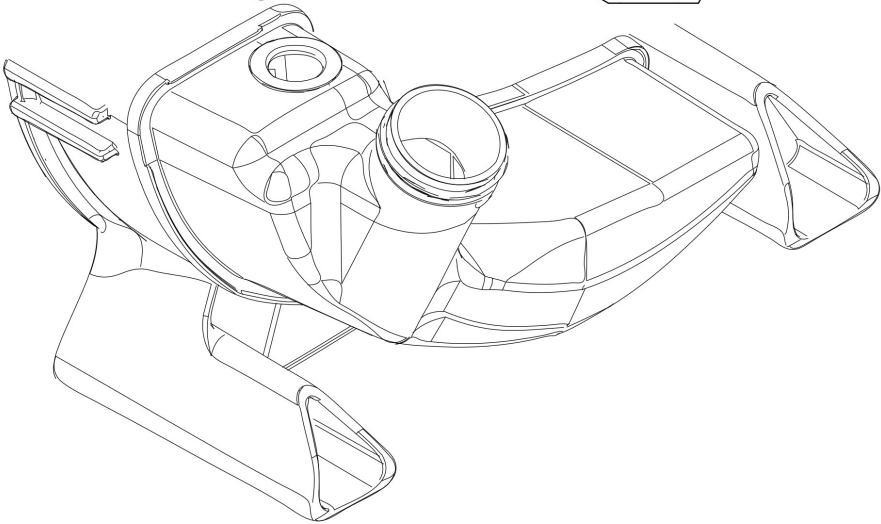
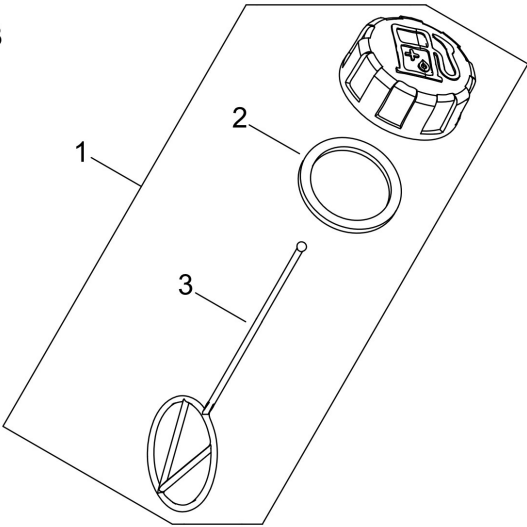
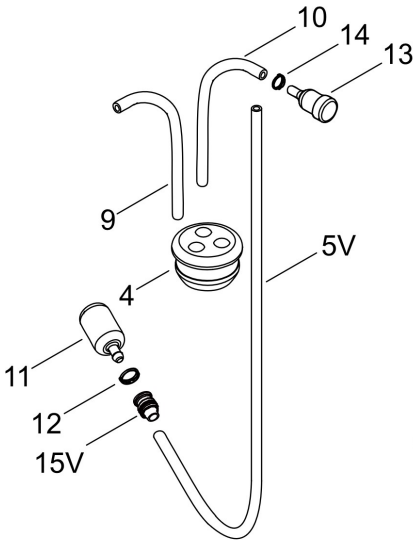
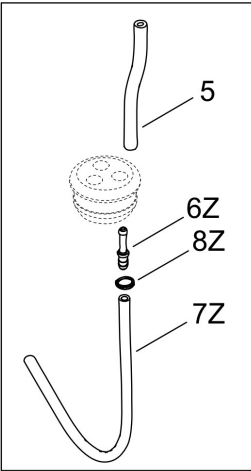


Illustration FUEL TANK

Nr.	Antal	Kod	Beskrivning	Bilaga	Anmärkningar
1	1	P100001880	Gas cap complete, HCA-265ES-HD		
2	1	13101655830	GASKET, FUEL CAP		
3	1	13105156030	CLIP, FUEL CAP		
4	1	13211546730	GROMMET, FUEL		
5	1	V471005240	Fuel line 3x5x80 (rubber) EB252		
5V	1	V471002131	Fuel hose L=220x3x5 mm, (rubber)		
6Z	1	V186000520	Connection suction hose EB252		
7Z	1	V471003731	Fuel line L=140x3x5 mm (rubber), EB252		
8Z	1	V490001240	CLIP		
9	1	13201049730	PIPE 3*6*85		
10	1	V471005251	Fuel line 3x5x60 (rubber) EB252		
11	1	A369000470	Fuel filter, CS-281WES/CS-361WES/CS-251 1TES/251Ts /CS-4510ES/451s		
12	1	V490001240	CLIP		
13	1	A356000031	VALVE,CHECK		
14	1	V490001240	CLIP		
15V	1	A413000190	Protection fuel hose, C263TS		

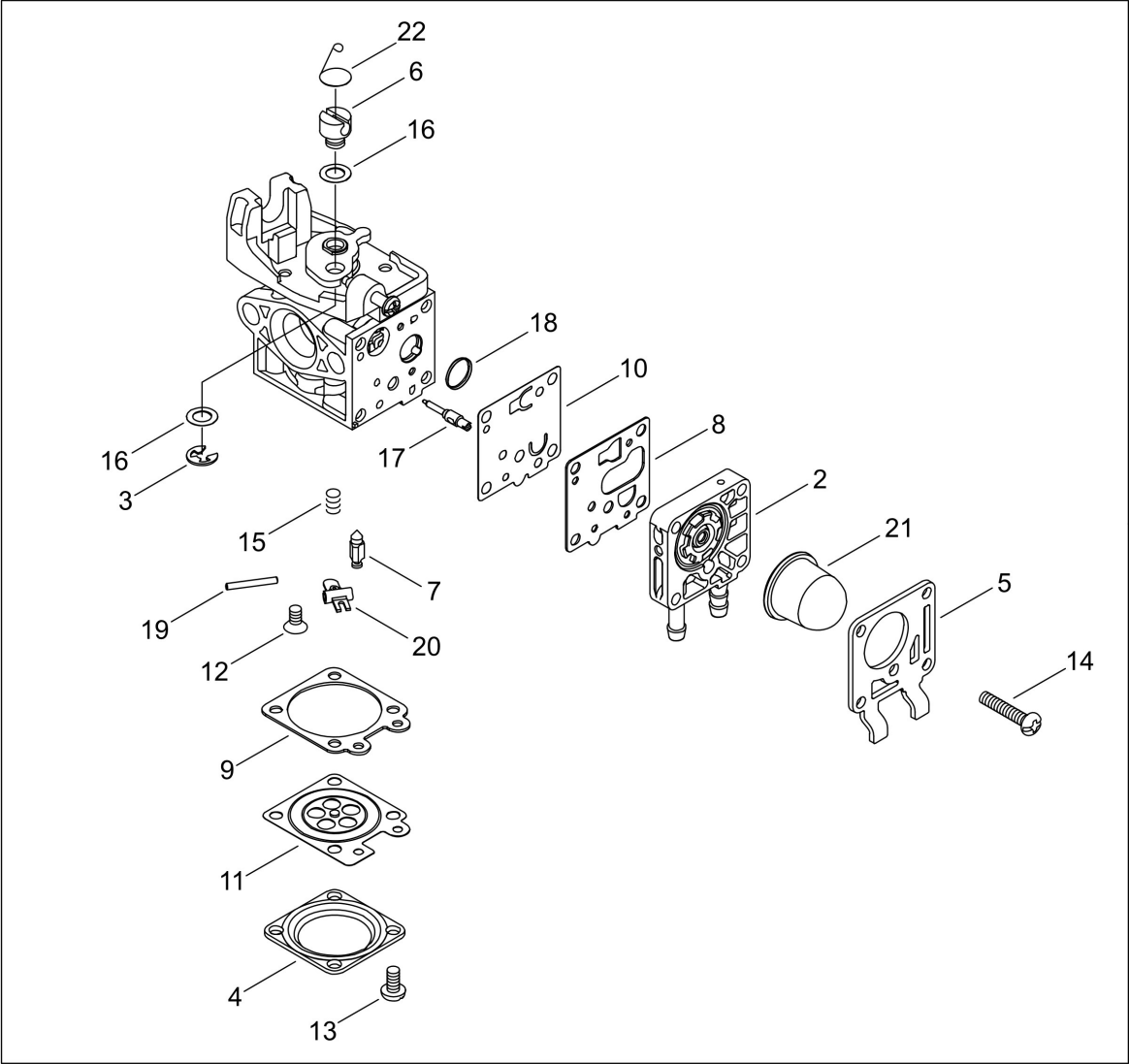


Illustration Carburettor WYG-14

Nr.	Antal	Kod	Beskrivning	Bilaga	Anmärkningar
1	1	A021004930	Carburettor WYG-14, PB-2620		
2	1	P003006120	Pump housing, carburetor SRM-3020TES		
3	1	12317307930	CLIP		
4	1	12314203930	COVER, M. DIAPHRAGM		
5	1	P003004510	Bracket, rubber cap pump carburetor SRM-2620ES		
6	1	P003005850	Rotary piston, throttle cable hanger carburetor SRM-2620ES		
7	1	12313719830	VALVE, INLET NEEDLE		
8	1	P003004530	Gasket, pump side carburetor SRM-2620ES		
9	1	12314027230	GASKET M. DIAPHRAGM		
10	1	P003004540	Diaphragm, pump side carburetor SRM-2620ES		
11	1	P003001670	Diaphragm carburetor SRM-2620ES		
12	1	P003005860	Screw, carburetor SRM-2620ES		
13	4	P003004560	Screw, carburetor SRM-2620ES		
14	4	P003004570	Screw, carburetor SRM-2620ES		
15	1	P003005870	Spring, carburetor SRM-2620ES		
16	2	P003001710	Disc, carburetor SRM-2620ES		
17	1	P003005880	Needle, carburetor SRM-2620ES		
18	1	12312610631	SCREEN, INLET		
19	1	12313803930	PIN,METERING LEVER		
20	1	P003001630	Valve arm, carburetor SRM-2620ES		
21	1	12318109560	PUMP, PRIMER		
22	1	P003006220	Clip, carburetor PB-2620		

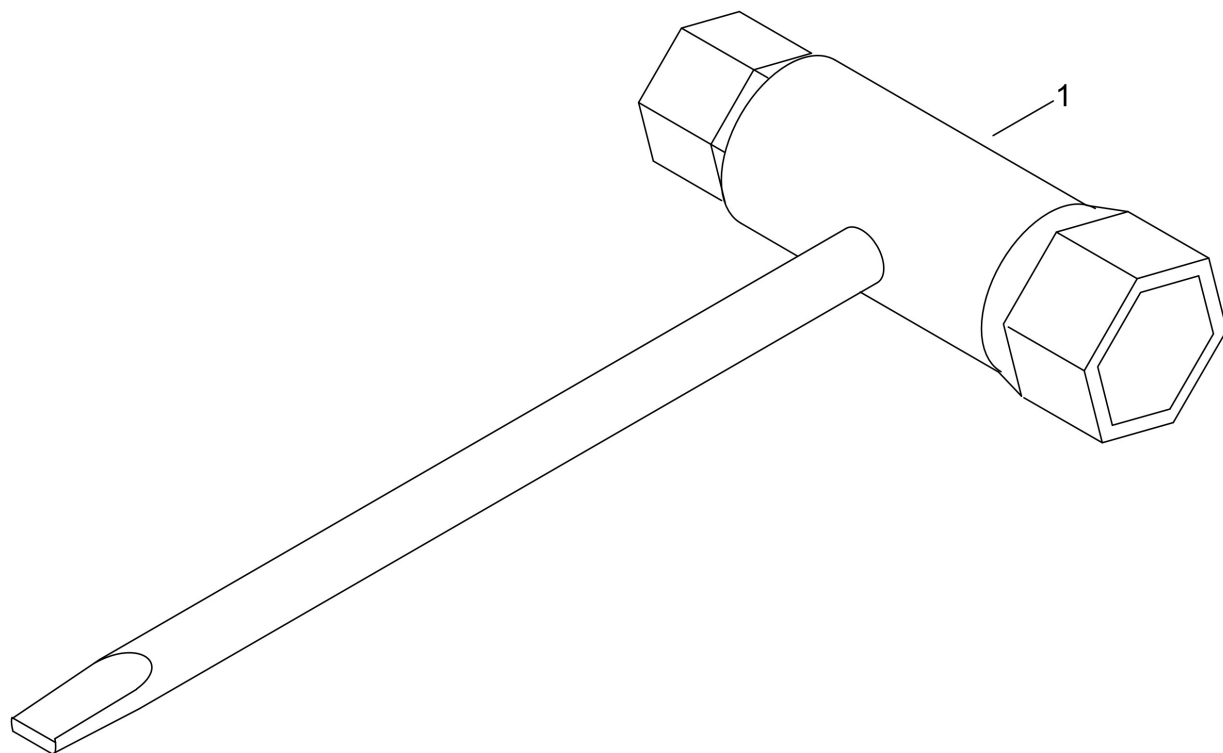


Illustration Accesories

Nr.	Antal	Kod	Beskrivning	Bilaga	Anmärkningar
1	1	89541006961	Combination key EBS256S		

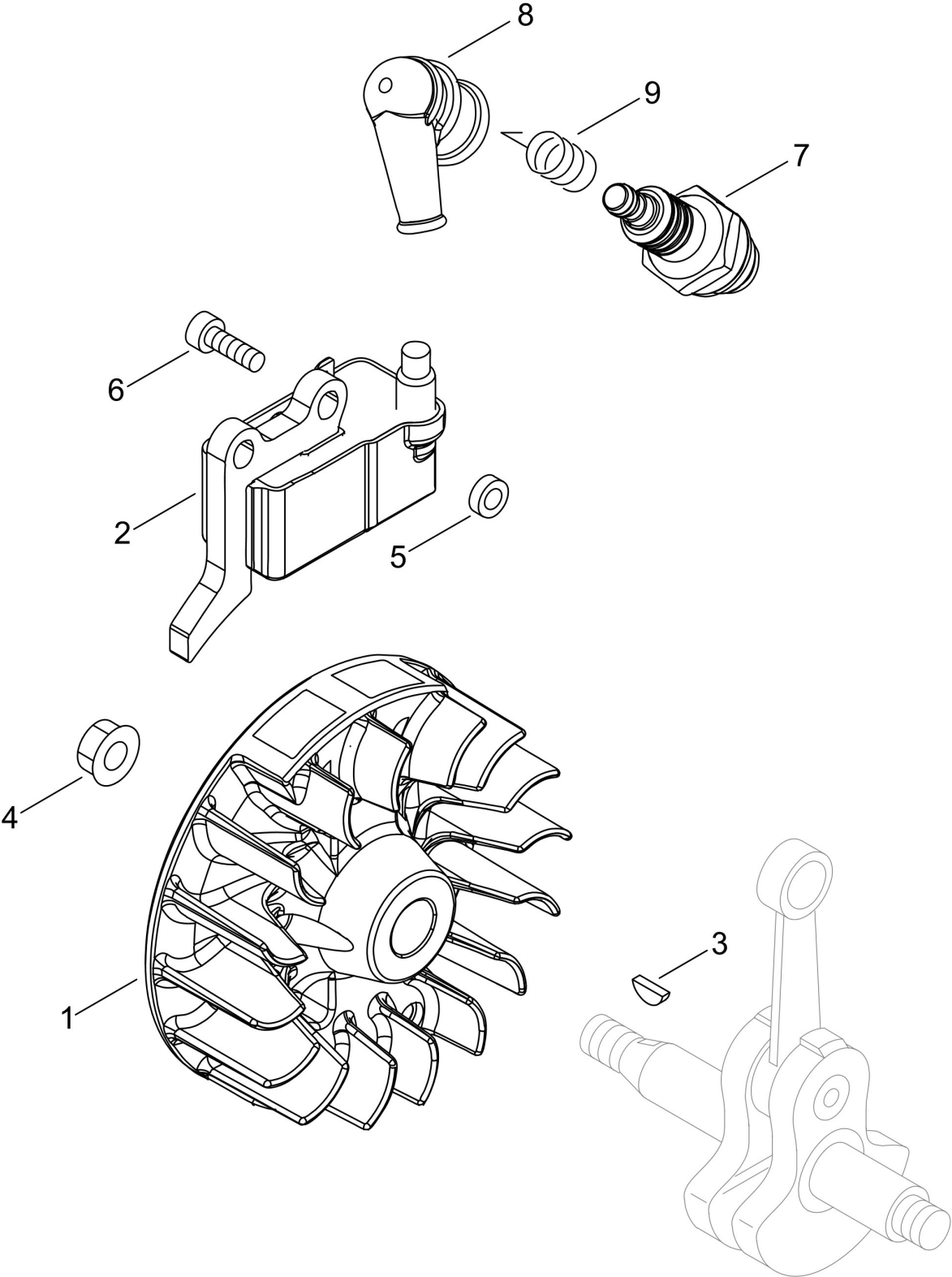


Illustration ignition

Nr.	Antal	Kod	Beskrivning	Bilaga	Anmärkningar
1	1	A409001320	Flywheel, PB-2620/SRM-2620/HCA-2620/P PT-2620HES		
2	1	A411001840	Ignition Module, PB-2620, ID#A10087		
3	1	10014212330	KEY, WOODRUFF		
4	1	90051500008	NUT,FLANGE 8		
5	2	V323000070	WASHER,CIRCULAR 5		
6	2	V805000210	BOLT, TORX 5		
7	1	A425000000	SPARKPLUG		
8	1	A427000013	CAP,SPARK PLUG		
9	1	A426000010	TERMINAL,SPARKPLUG		