

PB-8010 (38010001-)



## Dokumenten

---

MUFFLER

---

blowguns

---

THROTTLE LEVER ASSY

---

crankcase

---

fan, housing

---

AIR CLEANER

---

engine cover

---

Starter, Assy

---

FUEL TANK

---

Carrying frame, straps

---

Carburettor WYA EX6069

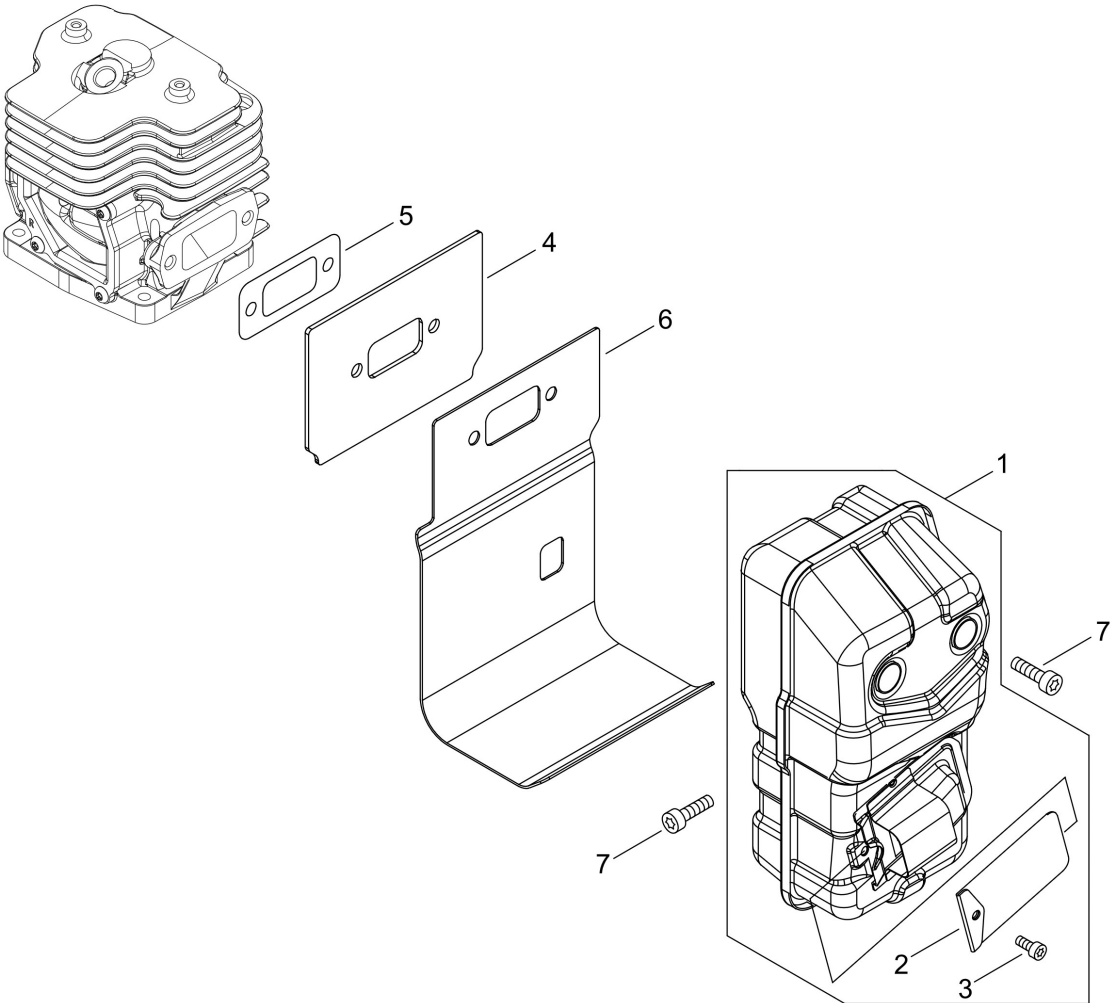
---

Tool

---

ignition

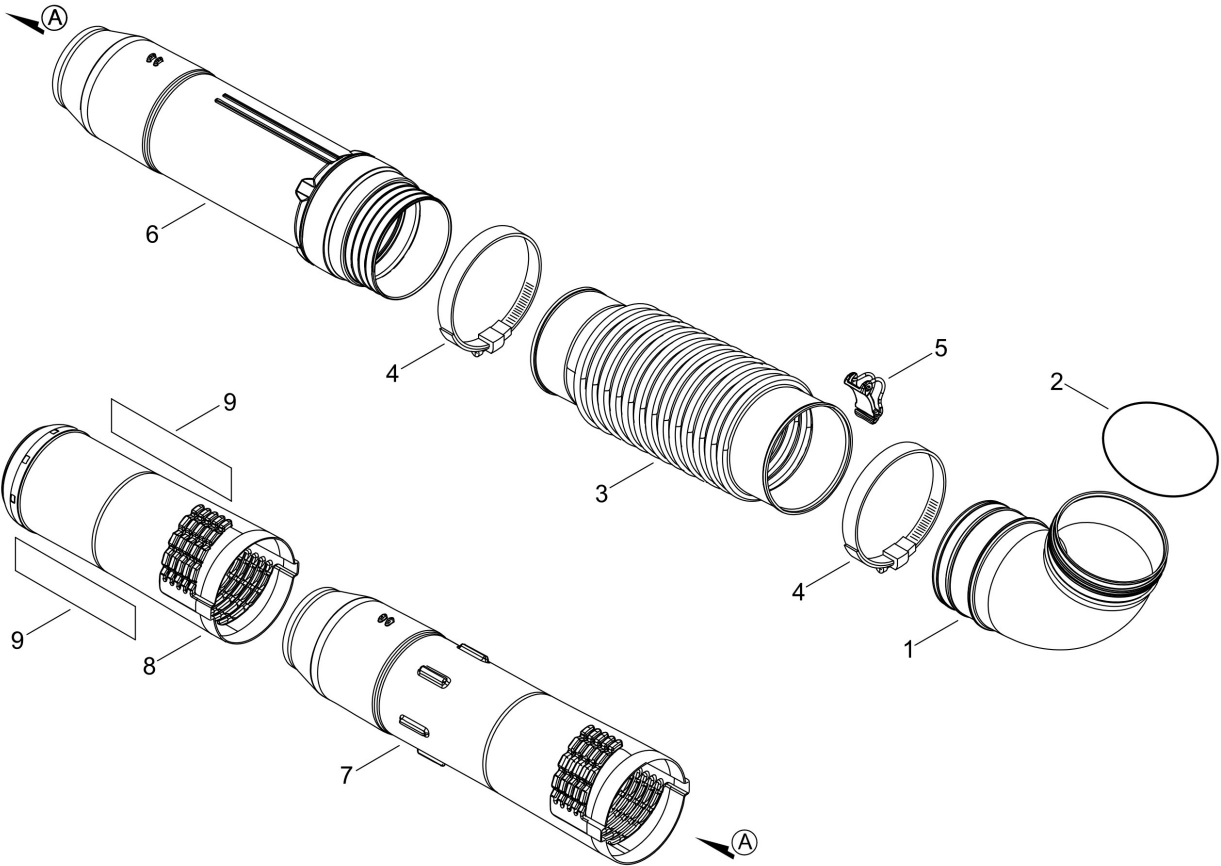
Illustration MUFFLER



## Illustration MUFLER

---

Nr.	Antal	Kod	Beskrivning	Bilaga	Anmärkningar
1	1	P100006321	Exhaust complete, PB-8010		
2	1	A310000540	Spark screen, PB-8010		
3	1	V804000030	BOLT, TORX 4		
4	1	A312000140	Plate, Exhaust, PB-8010		
5	1	V104002440	Gasket exhaust, PB-8010		
6	1	V104002430	Seal + heat protection exhaust, PB-8010		
7	3	V806000010	BOLT, TPRX 5		

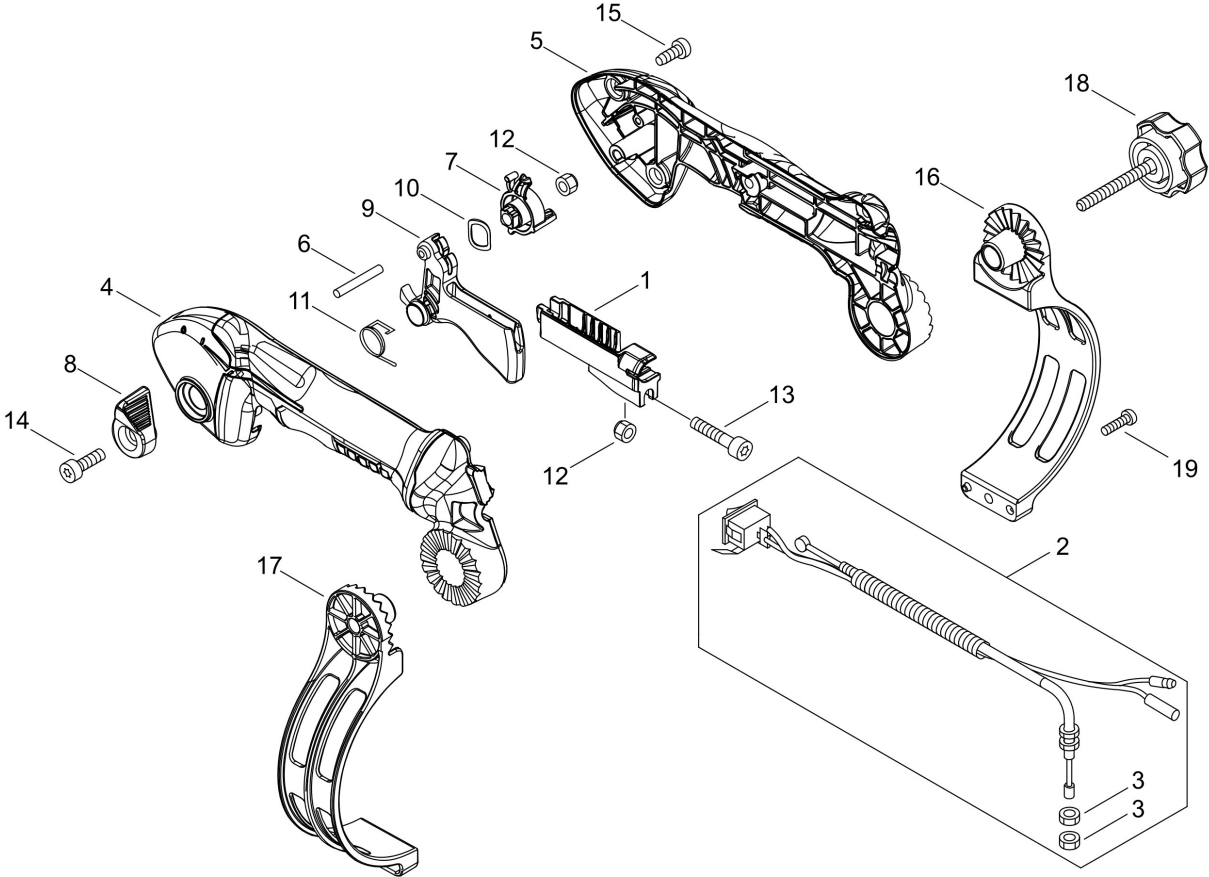


## Illustration blowguns

---

Nr.	Antal	Kod	Beskrivning	Bilaga	Anmärkningar
1	1	E160000200	Air line, curved PB-8010		
2	1	9250112000	O ring G120, PB-8010		
3	1	E164000150	Air line, flexible PB-8010		
4	2	V495003850	Blowgun clamp, EB-8010		
5	1	C487000420	CLIP		
6	1	E165001090	Blowpipe straight, version 2 "T, PB-8010		
7	1	E165001070	Blowpipe straight, version 2, PB-8010		
8	1	E165001000	Blowpipe straight, PB-8010		
9	2	89011804262	Sticker, ECHO, 194x44 PB-260L, PB-260LS, PB-6000		

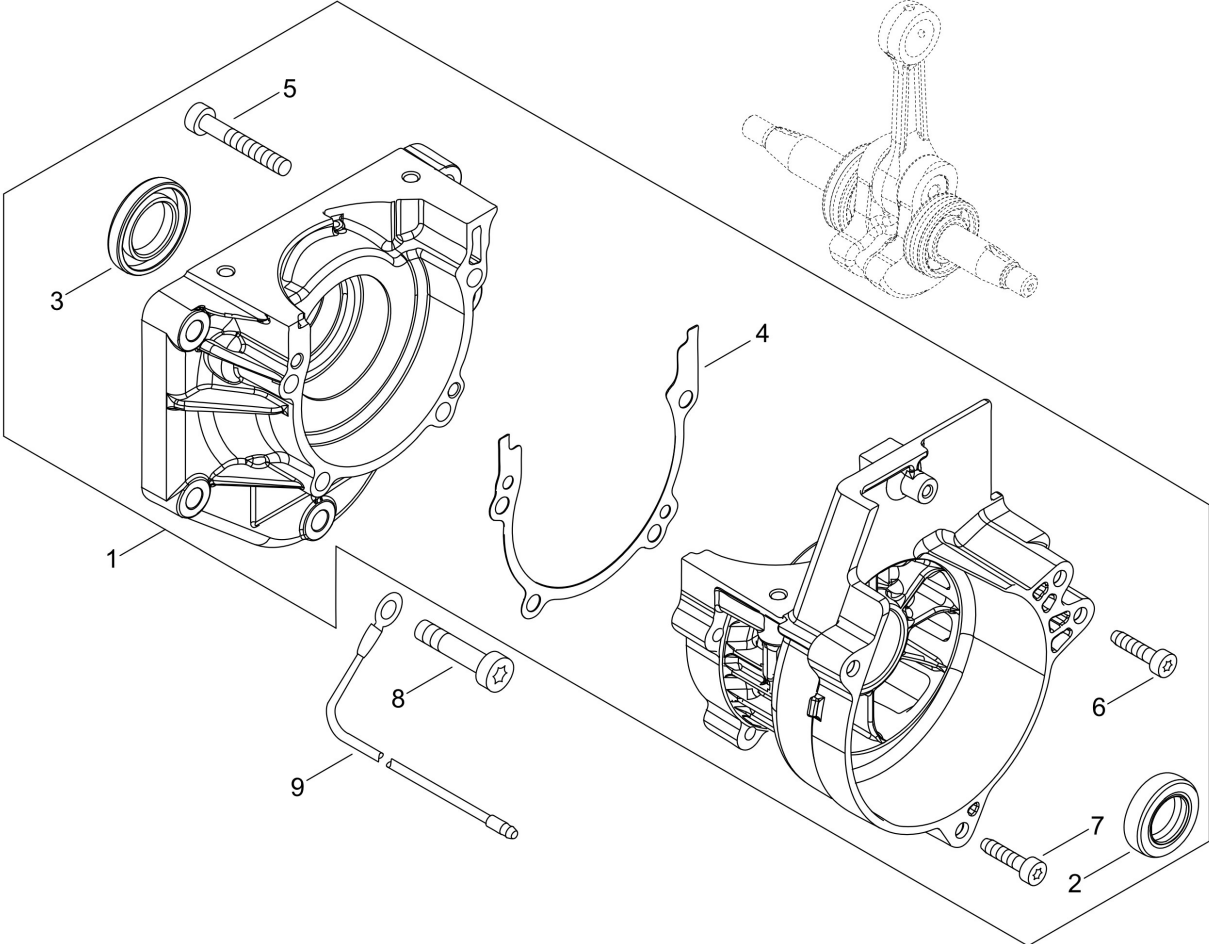
Illustration THROTTLE LEVER ASSY



## Illustration THROTTLE LEVER ASSY

Nr.	Antal	Kod	Beskrivning	Bilaga	Anmärkningar
1	1	C482000101	Connector throttle grip EB600RT, PB-580 from S.-Nr.: 37004004		
2	1	V043001210	Throttle cable complete, PB-8010		
3	2	90050200006	NUT 6 (3N)		
4	1	C400001532	Grip shell left, throttle grip, PB-580		
5	1	C400001541	Grip shell right, throttle grip, PB-580		
6	1	V621000040	Pin, throttle grip PB-770 from S.-Nr.: 37041470		
7	1	C453000580	Throttle lever PB-770 from S.-Nr.: 37041470		
8	1	C453000560	Throttle lever PB-770 from S.-Nr.: 37041470		
9	1	C450000941	Throttle lever PB-770 from S.-Nr.: 37041470		
10	1	42975201850	Washer throttle grip PB-770 from S.-Nr.: 37041470		
11	1	V452001630	Spring throttle lever PB-770 from S.-Nr.: 37041470		
12	2	90056250005	LOCKNUT 5		
13	1	V805000050	BOLT, TORX 5		
14	1	V805000160	BOLT, TORX 5		
15	4	V805000000	BOLT, TORX 5		
16	1	C405000620	Handle holder right, PB-8010		
17	1	C405000630	Handle holder left, PB-8010		
18	1	V299000630	KNOB, FASTENER		
19	1	V805000010	BOLT, TORX 5		

Illustration crankcase

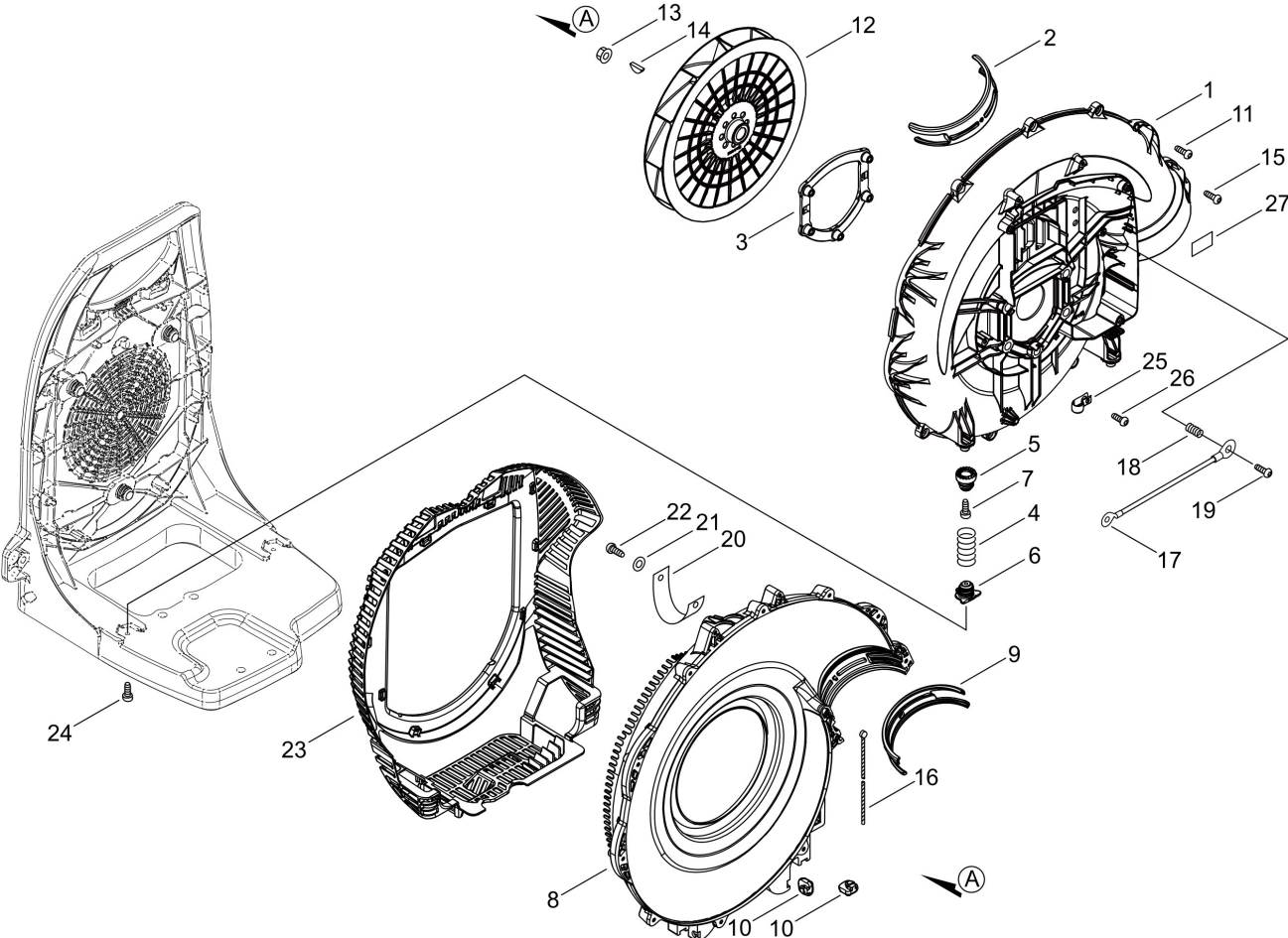




## Illustration crankcase

---

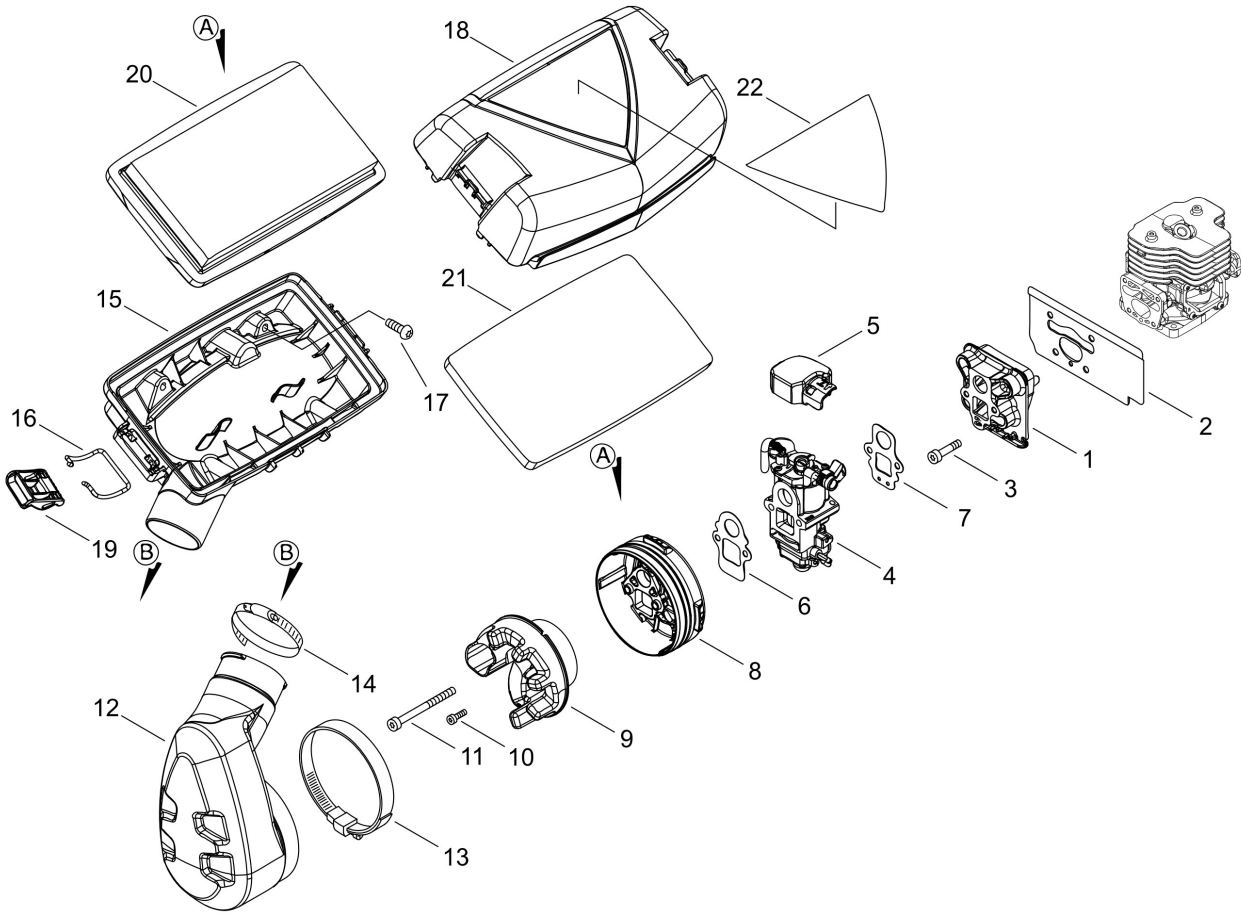
Nr.	Antal	Kod	Beskrivning	Bilaga	Anmärkningar
1	1	P100006311	Crankcase complete, PB-8010		
2	1	V508000100	SEAL, OIL 15		
3	1	V510000030	OIL SEAL		
4	1	V102000320	Gasket, crankcase, PB-8010		
5	4	V805000290	BOLT, TORX 5		
6	1	V253000990	Screw, M5x20 pre-coated with screw lock		
7	3	V253000990	Screw, M5x20 pre-coated with screw lock		
8	5	V204001830	Screw 6, TB2458(MEC) 10mm, PB-8010		
9	1	V485003170	Cable, PB-8010		



## Illustration fan, housing

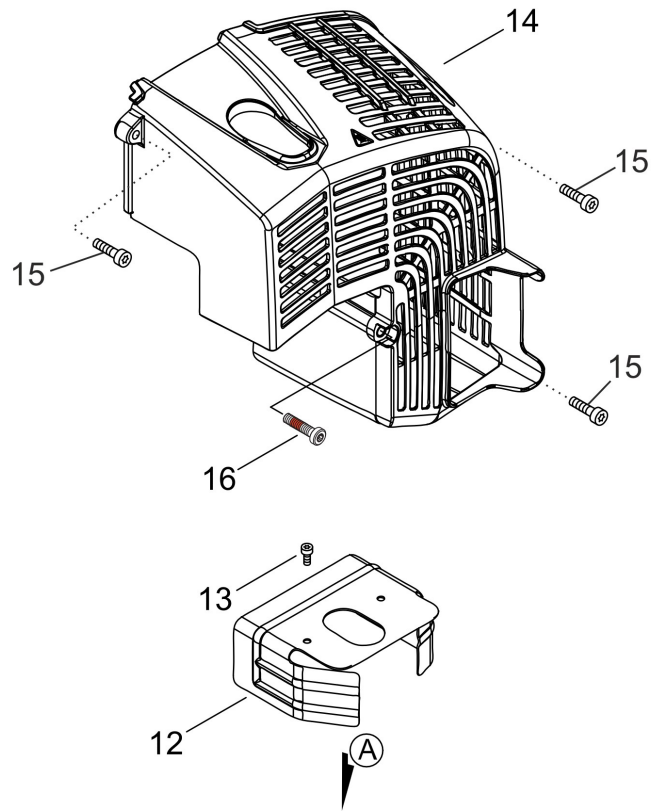
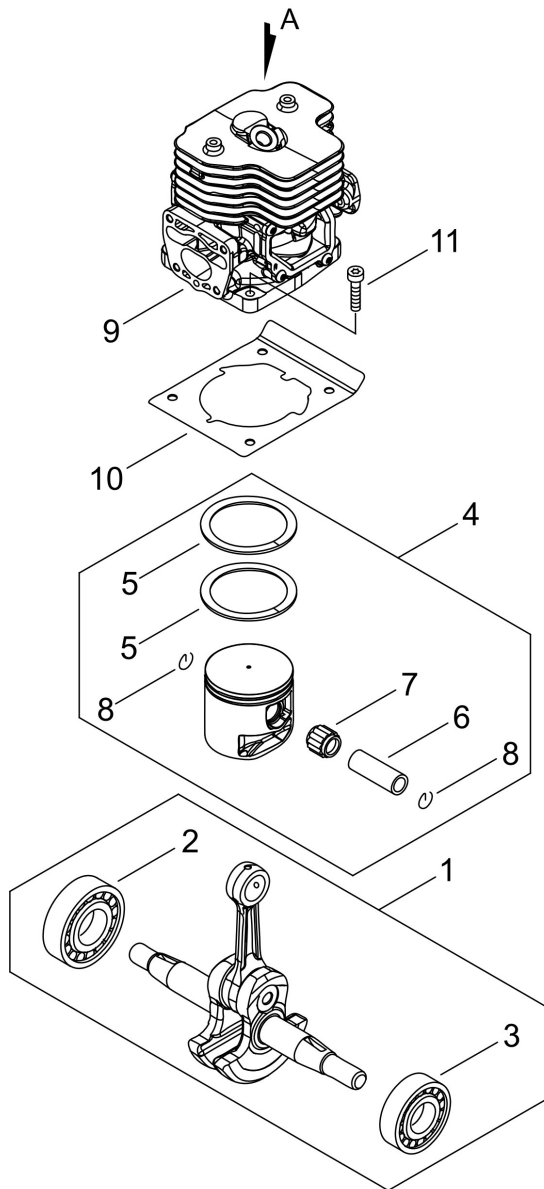
Nr.	Antal	Kod	Beskrivning	Bilaga	Anmärkningar
1	1	E103001582	Housing half rear, flywheel PB-8010		
2	1	V376002620	Spacer, PB-8010		
3	1	C632000270	Retaining Plate, Ring PB-8010		
4	2	V450000780	SPRING,COMPRESSION		
5	2	V456000331	Holder, spring, PB-580		
6	2	V456000380	Holder, spring PB-8010		
7	2	V805000010	BOLT, TORX 5		
8	1	E103001621	Housing half in front, fan wheel PB-8010, from serial no.: 38010001		
9	1	V376002620	Spacer, PB-8010		
10	4	V420005410	Damper, PB-8010		
11	9	V805000010	BOLT, TORX 5		
12	1	E100000300	Fan wheel PB-8010		
13	1	90051900010	NUT, FLANGE 10		
14	1	90032303014	KEY WOODRUFF		
15	2	V805000010	BOLT, TORX 5		
16	1	V485003160	Cable PB-8010		
17	1	V485003600	Cable, PB-8010		
18	1	V450002470	Spring, PB-8010		
19	1	V805000240	BOLT, TORX 5		
20	1	C651000120	Connection strap, PB-8010		
21	1	13191103460	Washer		
22	1	V805000010	BOLT, TORX 5		
23	1	E104000290	Grille, fan, PB-8010		
24	2	V805000010	BOLT, TORX 5		
25	1	13211222031	CLIP,FUEL PIPE		
26	1	V805000010	BOLT, TORX 5		
27	1	X505010760	Caution sticker,PB-2620		

Illustration AIR CLEANER



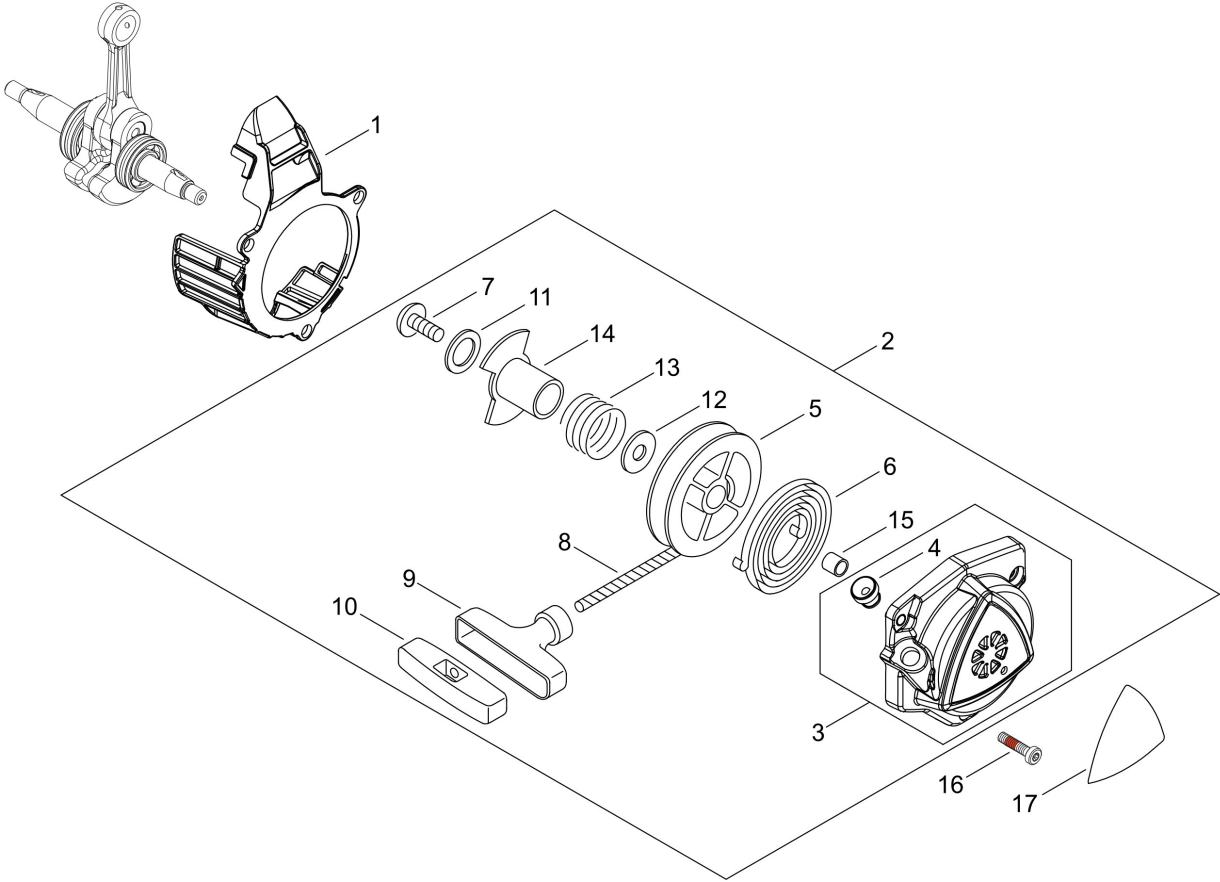
## Illustration AIR CLEANER

Nr.	Antal	Kod	Beskrivning	Bilaga	Anmärkningar
1	1	A200001210	Adapter flange cylinder carburettor, PB-8010		
2	1	V103002150	Gasket cylinder and intermediate flange, PB-8010		
3	4	V203002430	Screw, 5 TB2468 (MEC) 10mm		
4	1	A021004920	Carburettor WYA EX6069, PB-8010		
5	1	A246000050	Cover carburetor, PB-8010		
6	1	V103002050	Gasket air filter housing and carburetor, PB-8010		
7	1	V103002060	Carburettor intermediate flange gasket, PB-8010		
8	1	A221000040	Bracket, air filter PB-8010		
9	1	A161000400	Air duct to carburetor, PB-8010		
10	1	V804000000	BOLT, TORX 4		
11	2	V805000100	BOLT, TORX 5		
12	1	A239000120	Air intake duct, PB-8010		
13	1	V495000440	BAND		
14	1	V495000590	Band		
15	1	A225000740	Air Filter Housing, PB-8010		
16	2	V582000300	Clamp, air filter catch, PB-8010		
17	4	V805000010	BOLT, TORX 5		
18	1	A232002000	Air filter cover, PB-8010		
19	2	A235000460	Air filter cap, PB-8010		
20	1	A226002070	Air Filter, PB-8010		
21	1	A226002250	Air Filter, PB-8010		
22	1	X503015360	Sticker, model, PB-8010		



## Illustration engine cover

Nr.	Antal	Kod	Beskrivning	Bilaga	Anmärkningar
1	1	P200001000	Crankshaft with bearings, PB-8010		
2	1	V592000490	Ball bearing, EC1/6203/c3		
3	1	V592000510	BEARING, BALL		
4	1	P100008021	Piston complete, PB-8010		
5	2	A101000820	Piston ring, PB-8010 Ø53x1.2x2.1		
6	1	V611000020	Piston pin, PB-8010		
7	1	V558000020	Needle bearing piston, PB-8010 13x16x16.8/15		
8	2	10001530830	GRIP RING		
9	1	P100008280	Cylinder, PB-8010		
10	1	V100000880	Seal cylinder, PB-8010		
11	4	V855000010	BOLT, TORX 5		
12	1	A160003600	Cylinder cover, PB-8010		
13	2	V804000030	BOLT, TORX 4		
14	1	A190001651	Cover engine, PB-8010		
15	3	V805000010	BOLT, TORX 5		
16	1	V253000990	Screw, M5x20 pre-coated with screw lock		

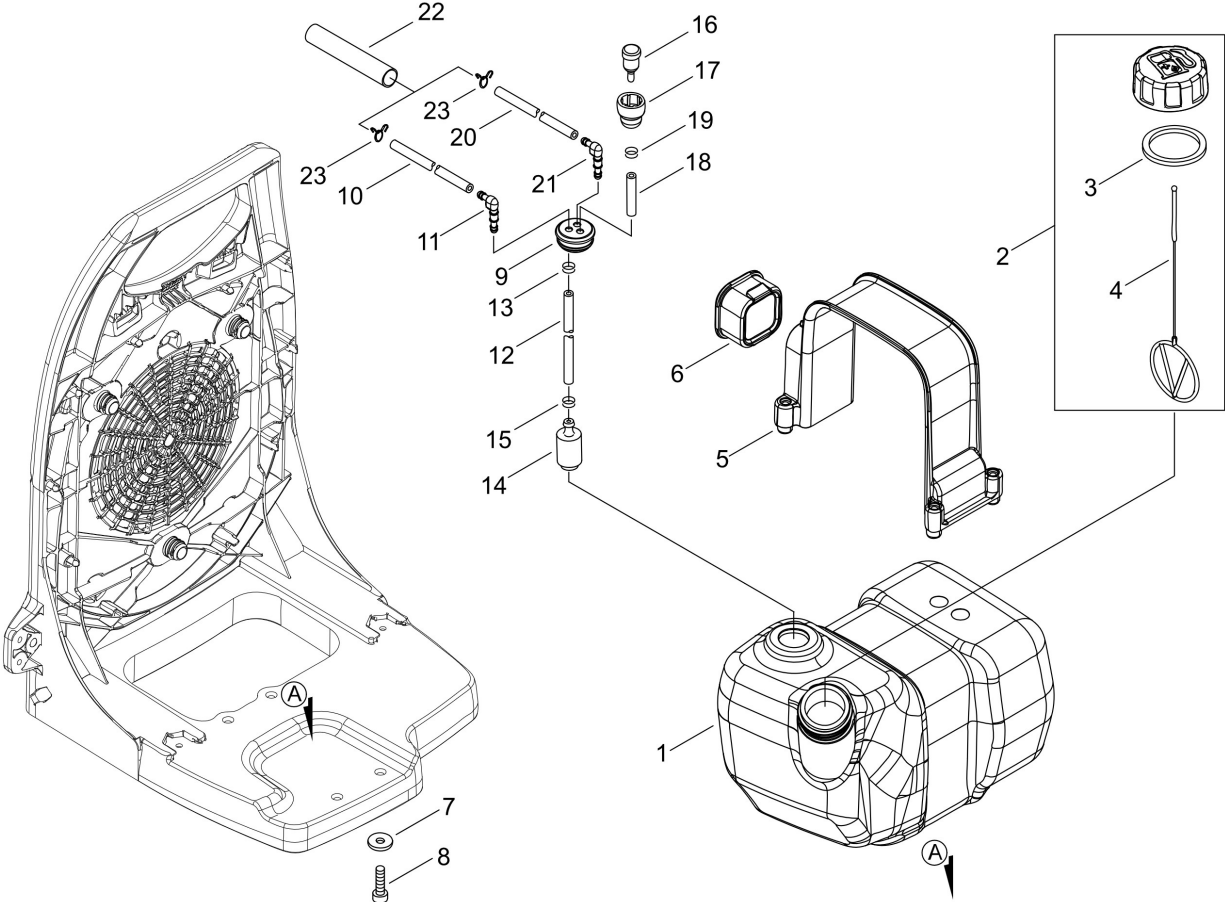




## Illustration Starter, Assy

Nr.	Antal	Kod	Beskrivning	Bilaga	Anmärkningar
1	1	V376002611	Spacer starter, PB-8010		
2	1	A051003410	Starter complete, PB-8010		
3	1	P022052810	Housing starter with rope guide, PB-8010		
4	1	P022045770	Cable guide, C262TS		
5	1	P022052820	Sheave, PB-8010		
6	1	P022052830	Spring, Starter, PB-8010		
7	1	17723661830	SCREW		
8	1	P022052840	Starter rope, PB-8010		
9	1	17722811620	GRIP, STARTER		
10	1	P022010260	Starter handle cover, PB-760LN/PB-770		
11	1	P022052850	Washer starter, PB-8010		
12	1	P022052860	Washer starter, PB-8010		
13	1	P022052870	Compression spring, starter, PB-8010		
14	1	P022052880	Driver starter, PB-8010		
15	1	P022052890	Sleeve Starter, PB-8010		
16	3	V253000990	Screw, M5x20 pre-coated with screw lock		
17	1	X501001290	Sticker KIORITZ, EB-8010		

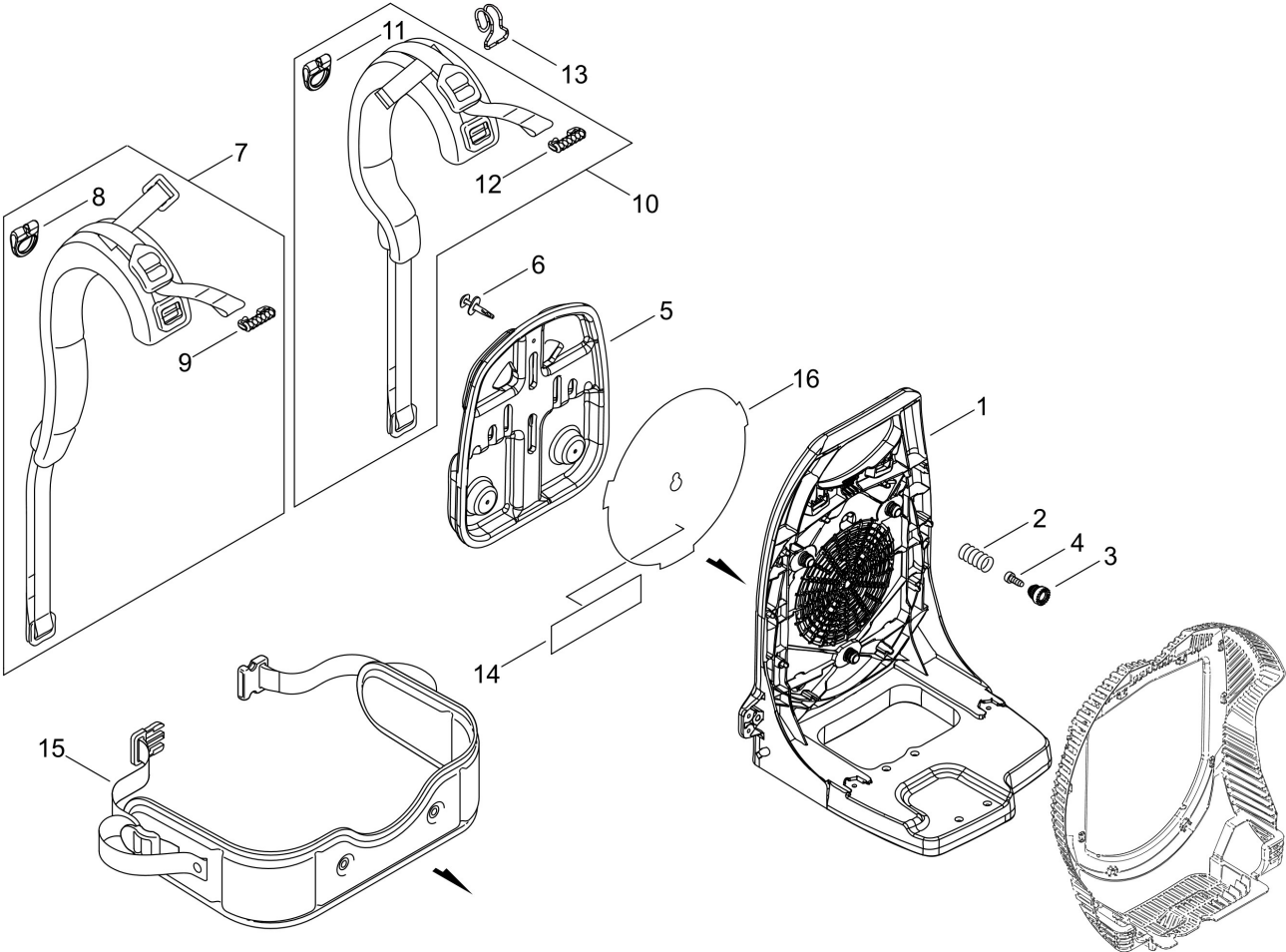
Illustration FUEL TANK



## Illustration FUEL TANK

Nr.	Antal	Kod	Beskrivning	Bilaga	Anmärkningar
1	1	A350002690	Fuel tank, PB-8010		
2	1	P021012211	CAP,FUEL ASY		
3	1	V107000190	Gas cap sealing ring, 37.9x2.2, PB-2620		
4	1	A365000060	CONNECTOR,CAP		
5	1	A392000460	Tank Holder, PB-8010		
6	1	V420005400	Dampener Tank, PB-8010		
7	4	13191103460	Washer		
8	4	V253000990	Screw, M5x20 pre-coated with screw lock		
9	1	13211555931	GROMMET, FUEL		
10	1	V471005410	Fuel line (rubber), PB-8010 3x6x160		
11	1	V186000500	JOINT,PIPE		
12	1	V471001231	PIPE		
13	1	V490001240	CLIP		
14	1	A369000460	STRAINER, FUEL		
15	1	V490001240	CLIP		
16	1	A356000031	VALVE,CHECK		
17	1	13132840630	COVER, VENT		
18	1	V471005421	Fuel line (rubber), PB-8010 3x6x30		
19	1	V490001230	CLIP		
20	1	V471005430	Fuel line (rubber), PB-8010 3x6x170		
21	1	V186000500	JOINT,PIPE		
22	1	V475009460	Grommet fuel hose, PB-8010 16x18x90		
23	2	V490000510	CLIP		

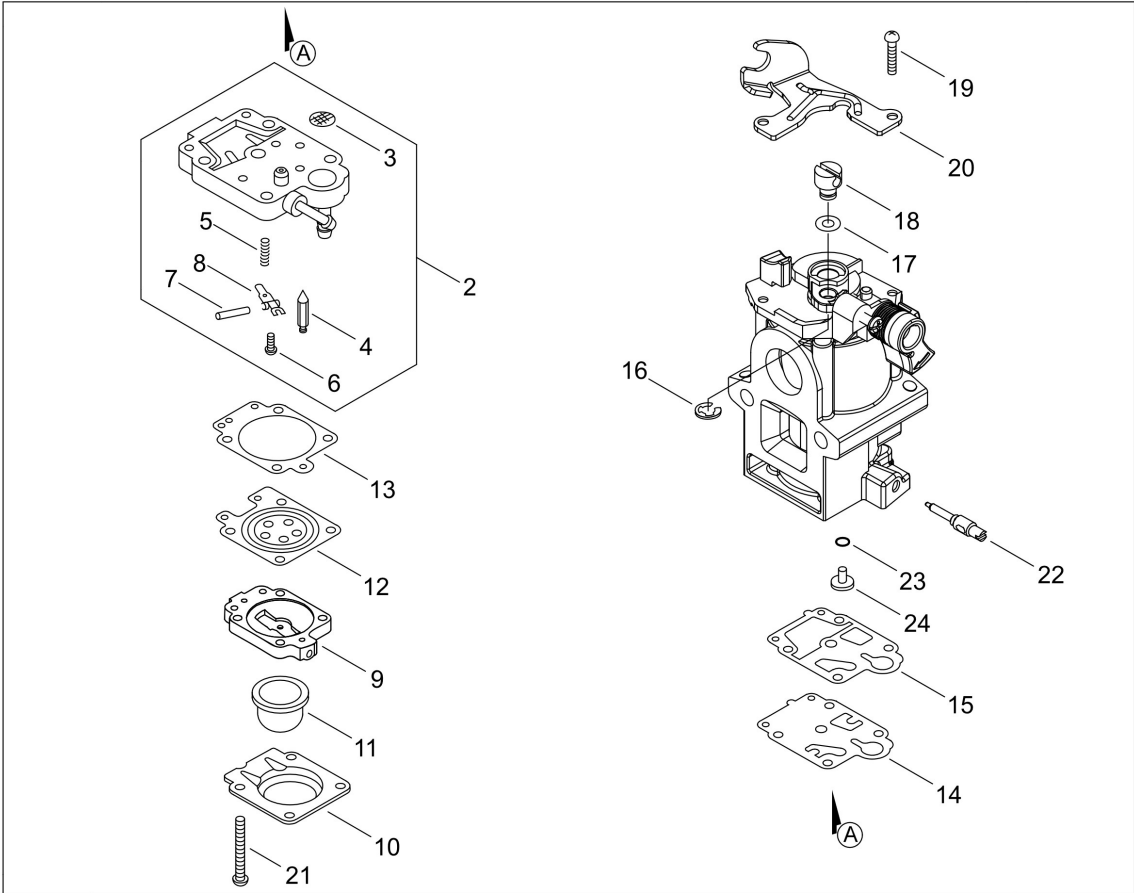
Illustration Carrying frame, straps



## Illustration Carrying frame, straps

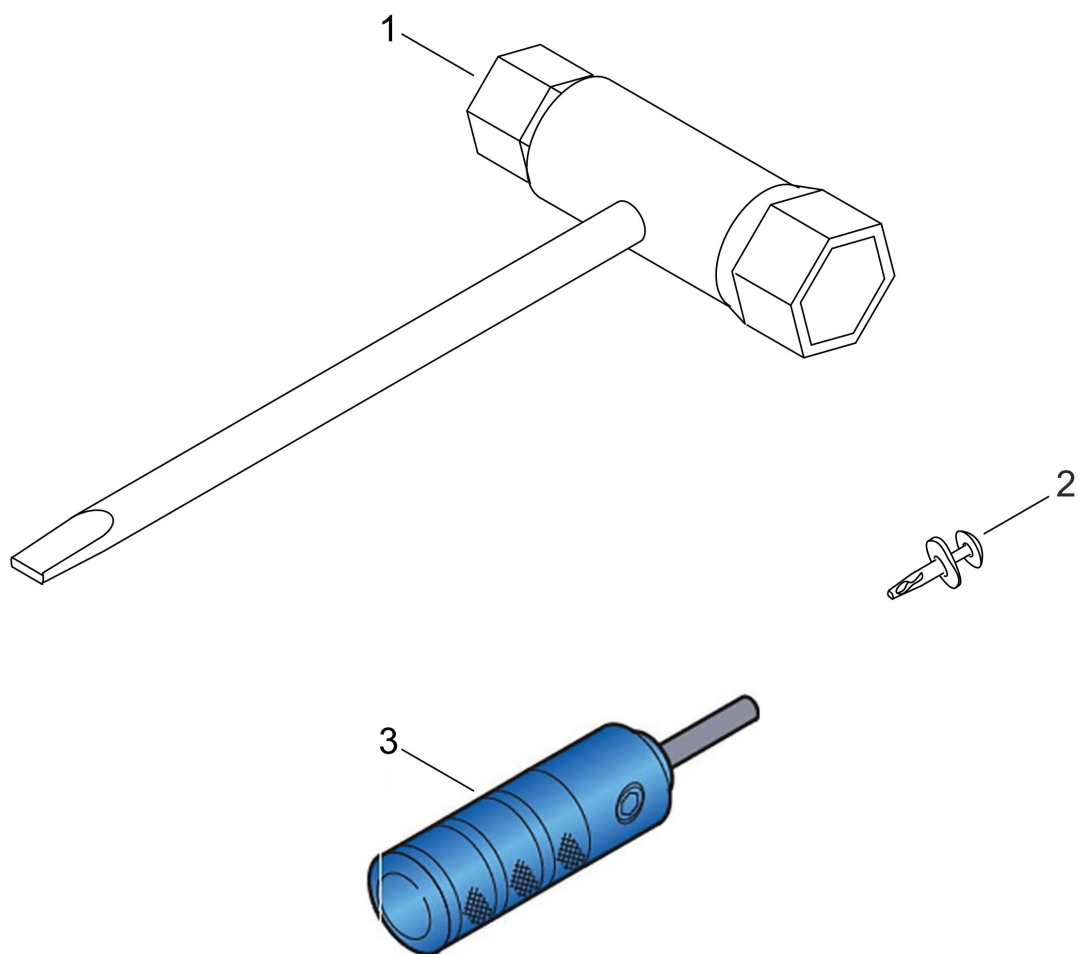
---

Nr.	Antal	Kod	Beskrivning	Bilaga	Anmärkningar
1	1	C620000560	Carrying frame, PB-8010		
2	3	V450000780	SPRING, COMPRESSION		
3	3	V456000331	Holder, spring, PB-580		
4	3	V805000010	BOLT, TORX 5		
5	1	C630000280	Back cushion PB-8010		
6	3	V491000600	Clip PB-8010, EB810		
7	1	P100010350	Shoulder Strap Left Kit, PB-8010		
8	2	C645000080	BUCKLE, HARNESS		
9	1	V491000480	Clip, SRM-520ES, PB-580		
10	1	P100010360	Carry Strap Right Kit, PB-8010		
11	2	C645000080	BUCKLE, HARNESS		
12	1	V491000480	Clip, SRM-520ES, PB-580		
13	1	C649000550	Hook, Strap, PB-8010		
14	1	X505009090	Sticker, Caution, PB-760LN		
15	1	C644000240	Strap, PB-770		
16	1	C635000010	Intake cover PB-8010		



## Illustration Carburettor WYA EX6069

Nr.	Antal	Kod	Beskrivning	Bilaga	Anmärkningar
1	1	A021004920	Carburettor WYA EX6069, PB-8010		
2	1	P003006180	pump housing cpl. Carburettor, PB-8010		
3	1	12312610631	SCREEN, INLET		
4	1	12313719830	VALVE, INLET NEEDLE		
5	1	12312205560	SPRING, METER. LEVER		
6	1	P003005510	Screw, carburetor PB-760LN		
7	1	12313803930	PIN,METERING LEVER		
8	1	12312303930	LEVER, METERING		
9	1	P003003980	BODY ASSEMBLY, PUMP		
10	1	12314205560	COVER, PRIMER PUMP		
11	1	12318140630	PUMP, PRIMER		
12	1	P003001850	DIAPHRAGM, METERING		
13	1	12314005560	GASKET, M. DIAPHRAGM		
14	1	P003005650	DIAPHRAGM PUMP		
15	1	P003004100	GASKET, PUMP		
16	1	12317307930	CLIP		
17	1	12314954230	WASHER		
18	1	12317245130	SWIVEL		
19	2	12311440630	SCREW		
20	1	P003006190	Plate, throttle cable, carburetor, PB-8010		
21	4	12311005560	SCREW, PUMP COVER		
22	1	P003005880	Needle, carburetor SRM-2620ES		
23	1	12318340630	O-RING		
24	1	P003006200	Nozzle carburetor, PB-8010		

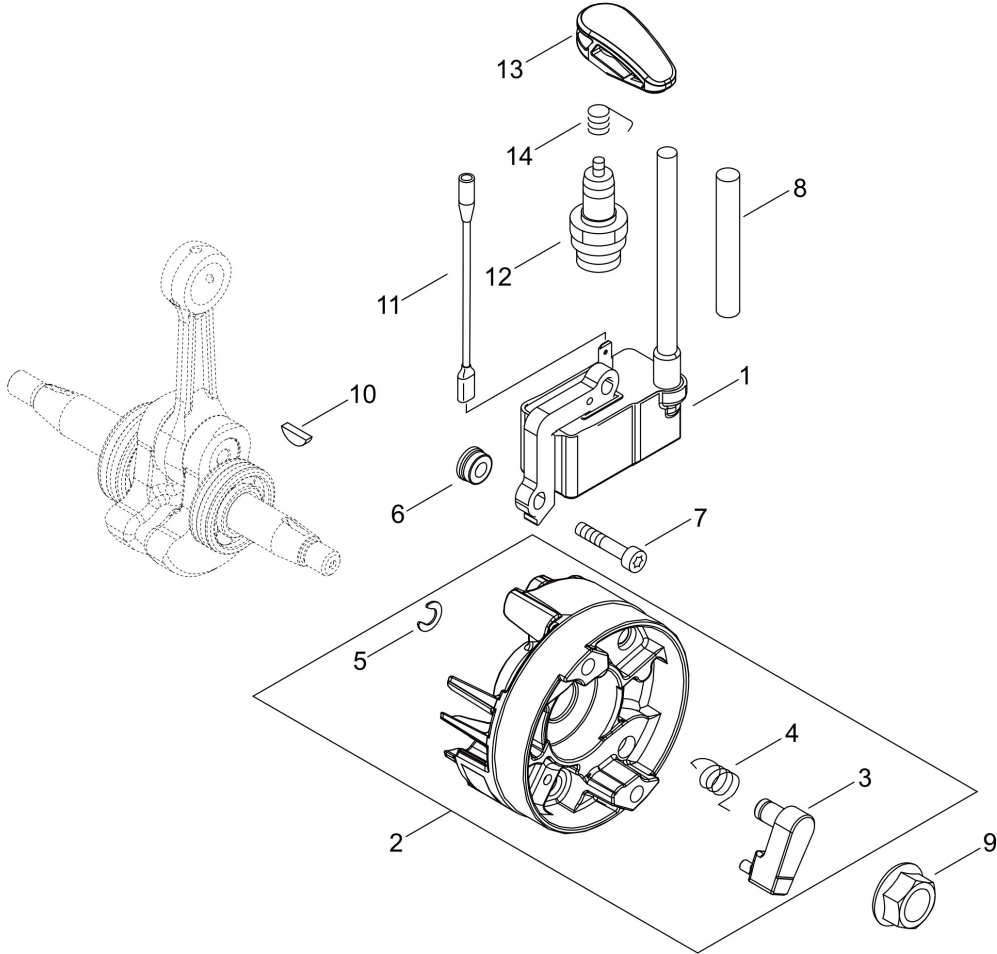




## Illustration Tool

---

Nr.	Antal	Kod	Beskrivning	Bilaga	Anmärkning
1	1	X602000160	PLUG WRENCH		
2	2	V491000600	Clip PB-8010, EB810		
3	1	WA-91159S	D-shaped short carburetor adjustment tool	TI_Y2019-673	Option



## Illustration ignition

---

Nr.	Antal	Kod	Beskrivning	Bilaga	Anmärkningar
1	1	A411001870	Ignition module, PB-8010, ID#A10084(1)		
2	1	A409001370	Flywheel, PB-8010		
3	2	P022054280	Starter pawl, PB-8010		
4	2	P022054270	Spring starter pawl, PB-8010		
5	2	P022054290	E clip, PB-8010		
6	2	V352000300	COLLAR, 4		
7	2	V202000750	Screw 4, TB2458(MEC) 6mm		
8	1	V475007540	TUBE		
9	1	90051900010	NUT, FLANGE 10		
10	1	90032303014	KEY WOODRUFF		
11	1	V485003180	Ignition cable, PB-8010		
12	1	A425000060	SPARKPLUG		
13	1	A427000230	Spark Plug Cap, PB-8010		
14	1	15901103432	COIL, SPARK PLUG		