

CS-280TES (38000001-)



## Dokumenten

01\_CYLINDER, PISTON, CRANKSHAFT

---

02\_ENGINE COVER

---

03\_MAGNETO

---

04\_AIR CLEANER, CARBURETOR

---

05\_CARBURETOR

---

06\_MUFFLER

---

07\_RECOIL STARTER

---

08\_HANDLE

---

09\_CHAIN BRAKE

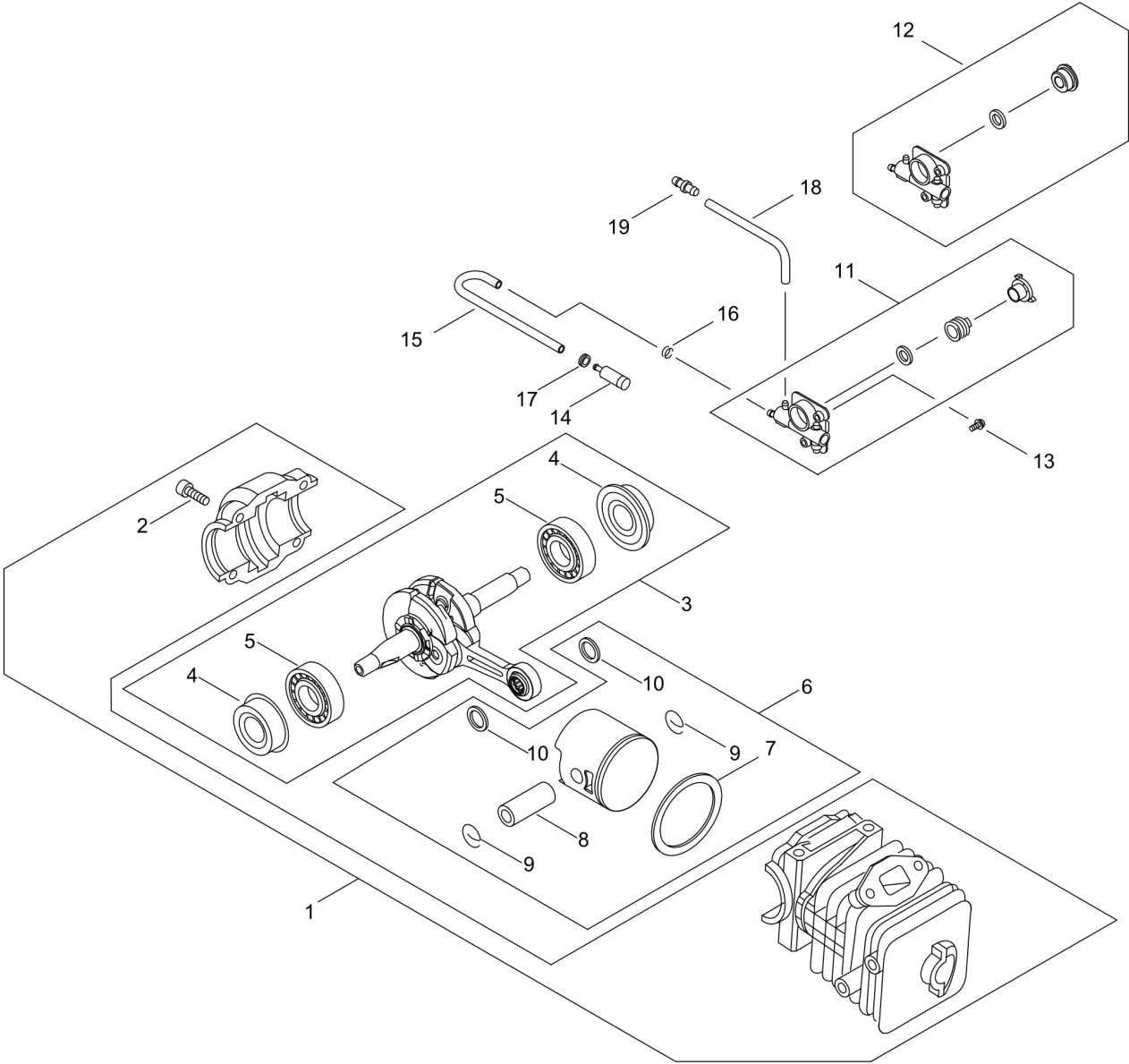
---

10\_ACCESSORIES

---

11\_GUIDE BAR, CHAIN

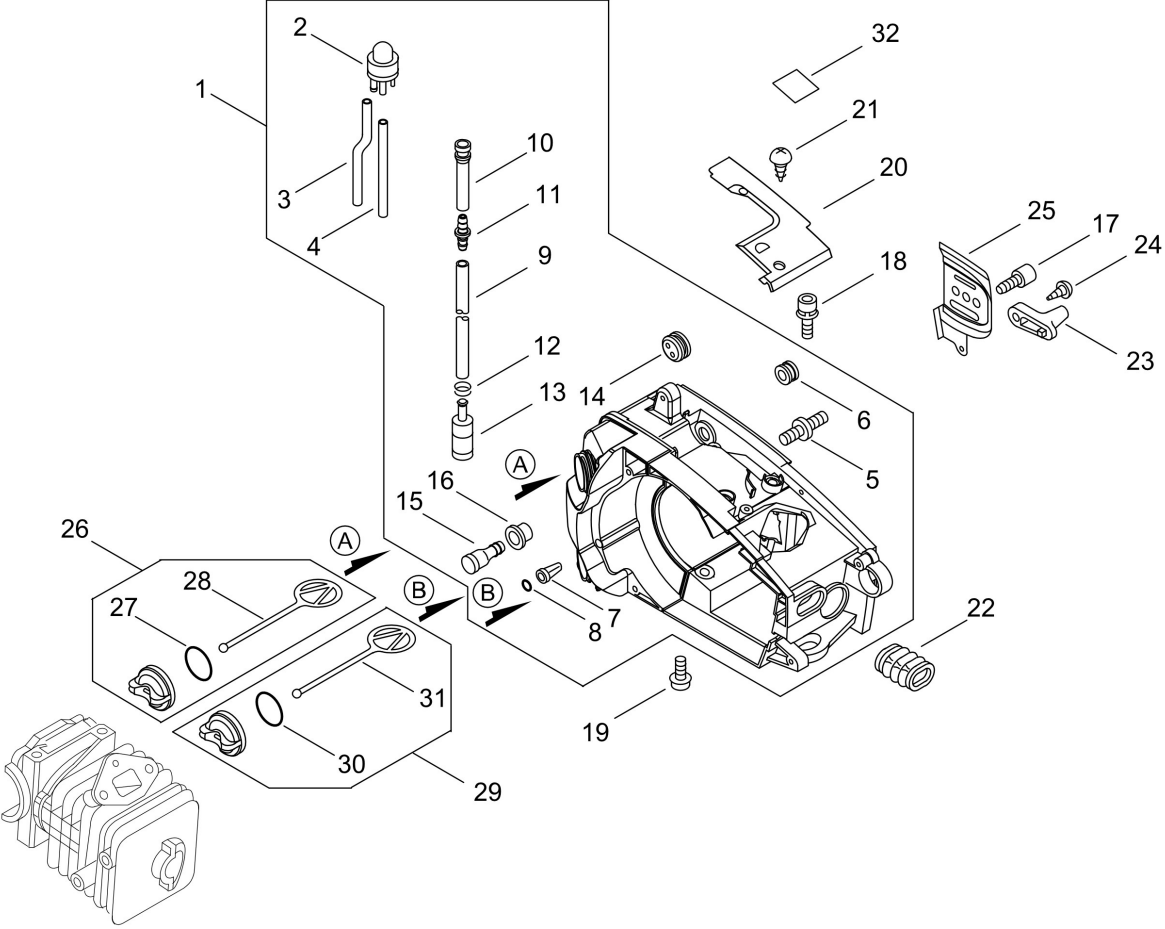
---



## Illustration 01\_CYLINDER, PISTON, CRANKSHAFT

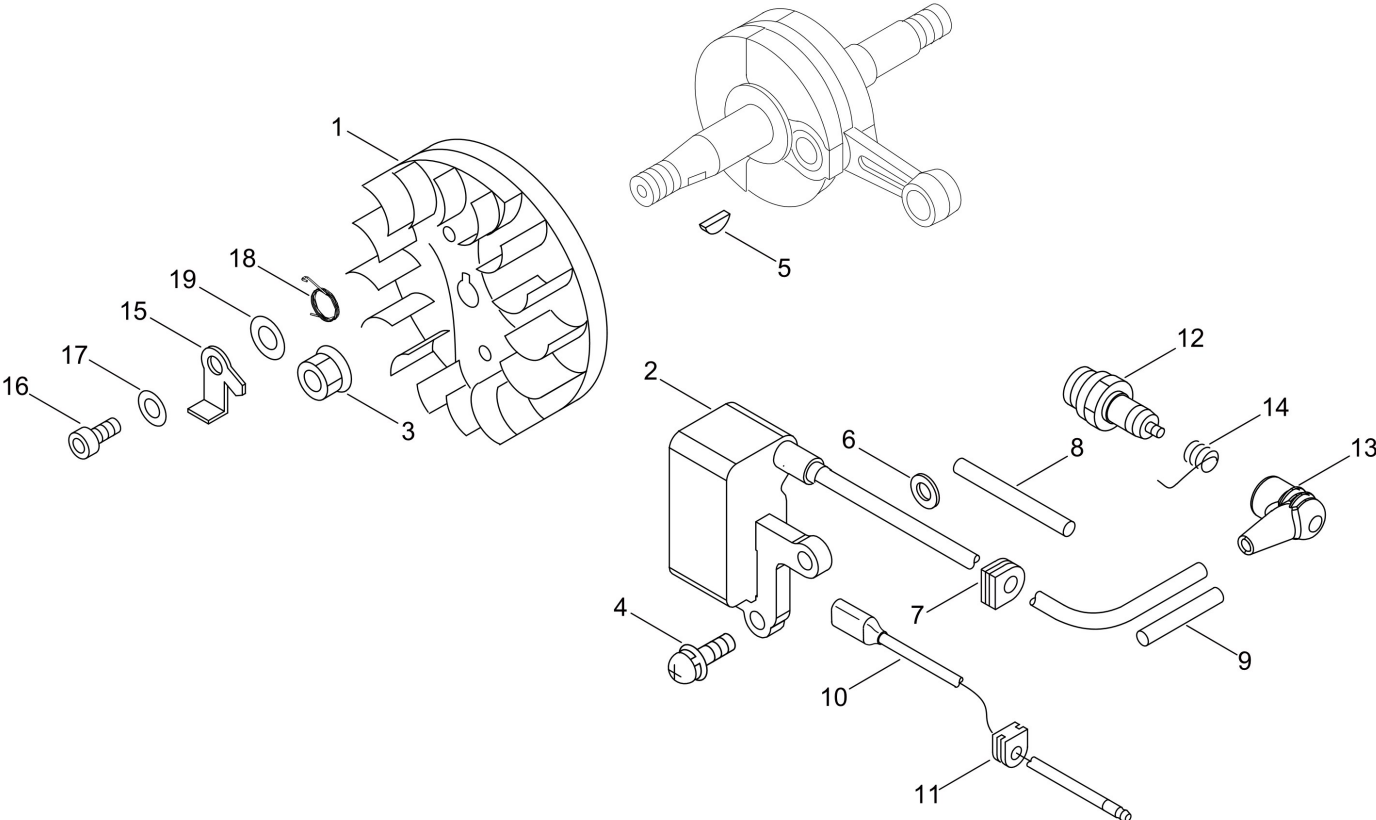
| Nr. | Antal | Kod         | Beskrivning         | Bilaga    | Recommended Stock | Remark        |
|-----|-------|-------------|---------------------|-----------|-------------------|---------------|
| 1   | 1     | P021044050  | CYLINDER KIT        |           |                   |               |
| 2   | 4     | 90016205022 | BOLT HSH            |           |                   |               |
| 3   | 1     | P021038072  | CRANKSHAFT ASY      |           |                   |               |
| 4   | 2     | V505000001  | SEAL,OIL            |           |                   | Slow-moving   |
| 5   | 2     | 90080036001 | BEARING, BALL       |           |                   |               |
| 6   | 1     | P021044060  | PISTON KIT          |           |                   |               |
| 7   | 1     | A101000630  | RING, PISTON        |           |                   | Medium-moving |
| 8   | 1     | 10001322330 | PIN, PISTON         |           |                   | Slow-moving   |
| 9   | 2     | 10001504630 | CIRCLIP, PISTON PIN |           |                   | Slow-moving   |
| 10  | 2     | 10001411520 | SPACER, PISTON PIN  |           |                   | Slow-moving   |
| 11  | 1     | P021010890  | AUTO-OILER + WORM   | Y2024-765 |                   | Slow-moving   |
| 12  | 1     | P021047130  | AUTO-OILER + WORM   | Y2024-765 |                   | Slow-moving   |
| 13  | 2     | 90023804012 | SCREW               |           |                   |               |
| 14  | 1     | P100001900  | STRAINER, OIL       |           |                   | Medium-moving |
| 15  | 1     | 13201022131 | PIPE                |           |                   | Slow-moving   |
| 16  | 1     | V490001230  | CLIP                |           |                   | Slow-moving   |
| 17  | 1     | 13211501462 | GROMMET             |           |                   | Slow-moving   |
| 18  | 1     | 13201211961 | PIPE                |           |                   | Slow-moving   |
| 19  | 1     | V187000010  | NIPPLE              |           |                   | Slow-moving   |

Illustration 02\_ENGINE COVER



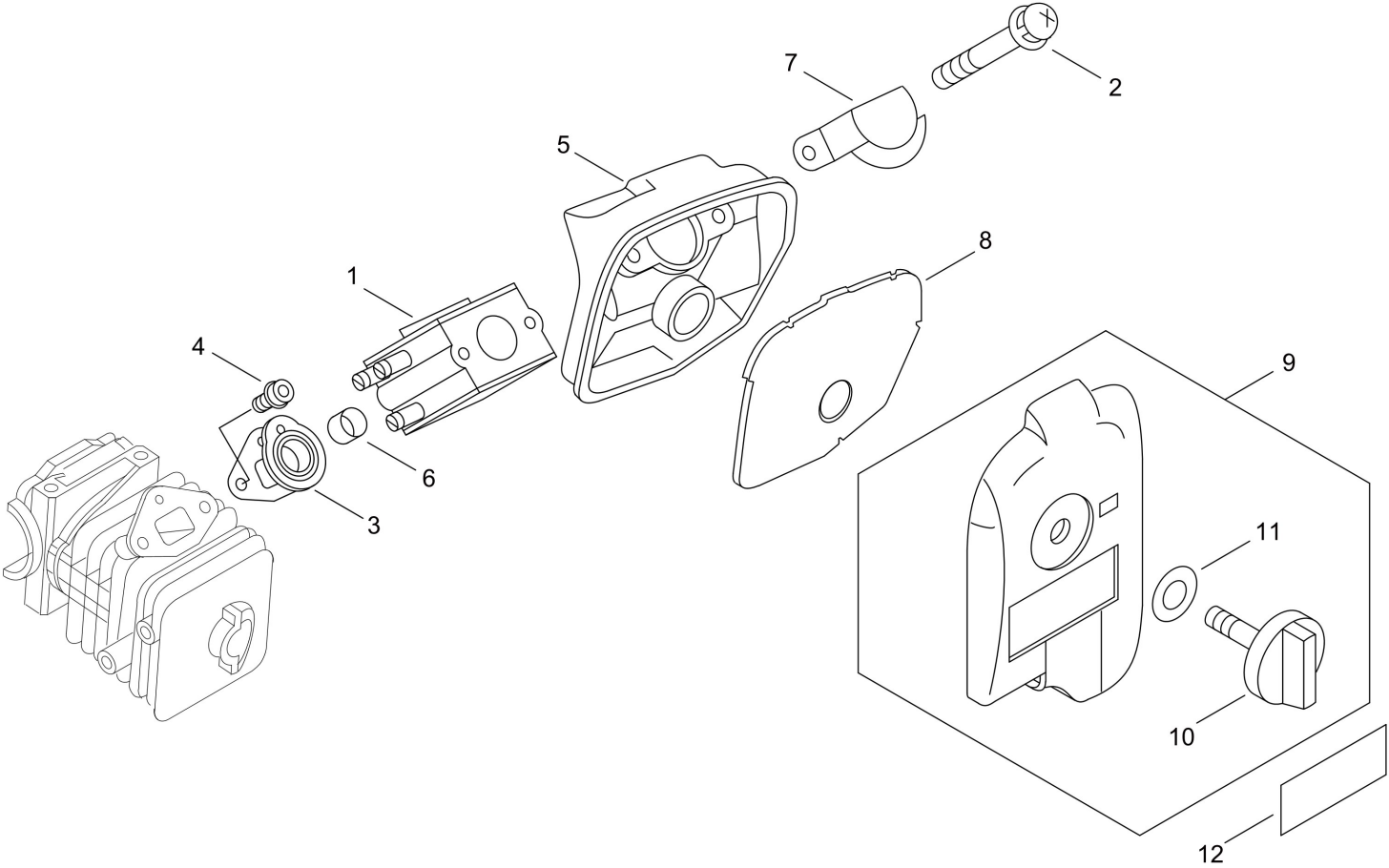
## Illustration 02\_ENGINE COVER

| Nr. | Antal | Kod         | Beskrivning          | Bilaga | Recommended Stock | Remark        |
|-----|-------|-------------|----------------------|--------|-------------------|---------------|
| 1   | 1     | P100007040  | COVER ENGINE ASY     |        |                   |               |
| 2   | 1     | 12318139130 | PUMP, PRIMER         |        |                   | Fast-moving   |
| 3   | 1     | V471001252  | PIPE                 |        |                   | Slow-moving   |
| 4   | 1     | V471001262  | PIPE                 |        |                   | Slow-moving   |
| 5   | 1     | V225000370  | "BOLT,STUD 8"        |        |                   | Slow-moving   |
| 6   | 1     | 16391130130 | PLUG                 |        |                   | Medium-moving |
| 7   | 1     | 43611413930 | VALVE, CHECK         |        |                   | Medium-moving |
| 8   | 1     | 90072400004 | O-RING               |        |                   |               |
| 9   | 1     | V471001231  | PIPE                 |        |                   | Slow-moving   |
| 10  | 1     | V470000322  | PIPE                 |        |                   | Slow-moving   |
| 11  | 1     | V186000510  | JOINT,PIPE           |        |                   | Slow-moving   |
| 12  | 1     | V490001240  | CLIP                 |        |                   | Slow-moving   |
| 13  | 1     | A369000420  | STRAINER, FUEL       |        |                   | Fast-moving   |
| 14  | 1     | 13211544331 | GROMMET, FUEL        |        |                   | Slow-moving   |
| 15  | 1     | 13130056431 | VENT ASSEMBLY, FUEL  |        |                   | Medium-moving |
| 16  | 1     | V137000001  | GROMMET,FUEL         |        |                   | Slow-moving   |
| 17  | 2     | V202000011  | BOLT,4               |        |                   | Slow-moving   |
| 18  | 2     | 90016205018 | BOLT HSH             |        |                   |               |
| 19  | 2     | 90010605025 | BOLT HSH, FLANGE     |        |                   |               |
| 20  | 1     | A127000021  | COVER,DUST           |        |                   | Slow-moving   |
| 21  | 2     | 90025304012 | SCREW, TAPPING       |        |                   |               |
| 22  | 1     | A239000000  | PIPE,INTAKE          |        |                   | Slow-moving   |
| 23  | 1     | 43302635430 | CATCHER, CHAIN       |        |                   | Medium-moving |
| 24  | 1     | 90025305020 | SCREW, TAPPING       |        |                   |               |
| 25  | 1     | C305000023  | PLATE,SPROCKET GUARD |        |                   | Slow-moving   |
| 26  | 1     | P021038080  | FUEL CAP ASY         |        |                   |               |
| 27  | 1     | V581000590  | RING,O               |        |                   | Fast-moving   |
| 28  | 1     | A365000050  | CONNECTOR,CAP        |        |                   | Medium-moving |
| 29  | 1     | P021005581  | CAP ASY              |        |                   | Slow-moving   |
| 30  | 1     | 90072000018 | O-RING 18            |        |                   | Fast-moving   |
| 31  | 1     | A365000050  | CONNECTOR,CAP        |        |                   | Medium-moving |
| 32  | 1     | X505002441  | LABEL,CAUTION        |        |                   | Slow-moving   |



## Illustration 03\_MAGNETO

| Nr. | Antal | Kod         | Beskrivning         | Bilaga    | Recommended Stock | Remark        |
|-----|-------|-------------|---------------------|-----------|-------------------|---------------|
| 1   | 1     | A409001130  | ROTOR, MAGNETO      |           |                   | Slow-moving   |
| 2   | 1     | A411001511  | COIL, IGNITION      | Y2026-780 |                   | Slow-moving   |
| 3   | 1     | 90051500008 | NUT, FLANGE         |           |                   |               |
| 4   | 2     | 90023805018 | SCREW               |           |                   |               |
| 5   | 1     | 10014212330 | KEY, WOODRUFF       |           |                   | Slow-moving   |
| 6   | 2     | 15011716430 | SPACER              |           |                   | Slow-moving   |
| 7   | 1     | 15611004920 | BUSHING             |           |                   | Slow-moving   |
| 8   | 1     | V475001900  | TUBE                |           |                   | Slow-moving   |
| 9   | 1     | V475003550  | TUBE                |           |                   | Slow-moving   |
| 10  | 1     | V485000140  | LEAD                |           |                   | Slow-moving   |
| 11  | 1     | 15611407320 | GROMMET             |           |                   | Slow-moving   |
| 12  | 1     | A425000000  | SPARKPLUG           |           |                   | Fast-moving   |
| 13  | 1     | A427000013  | CAP, SPARK PLUG     |           |                   | Slow-moving   |
| 14  | 1     | A426000010  | TERMINAL, SPARKPLUG | Y2026-780 |                   | Slow-moving   |
| 15  | 2     | A514000020  | PAWL                |           |                   | Slow-moving   |
| 16  | 2     | V203000080  | BOLT, 5             |           |                   | Slow-moving   |
| 17  | 2     | 90060300005 | WASHER              |           |                   |               |
| 18  | 2     | V452000030  | SPRING, TORSION     |           |                   | Medium-moving |
| 19  | 2     | 17724704630 | SPACER, RATCHET     |           |                   | Slow-moving   |



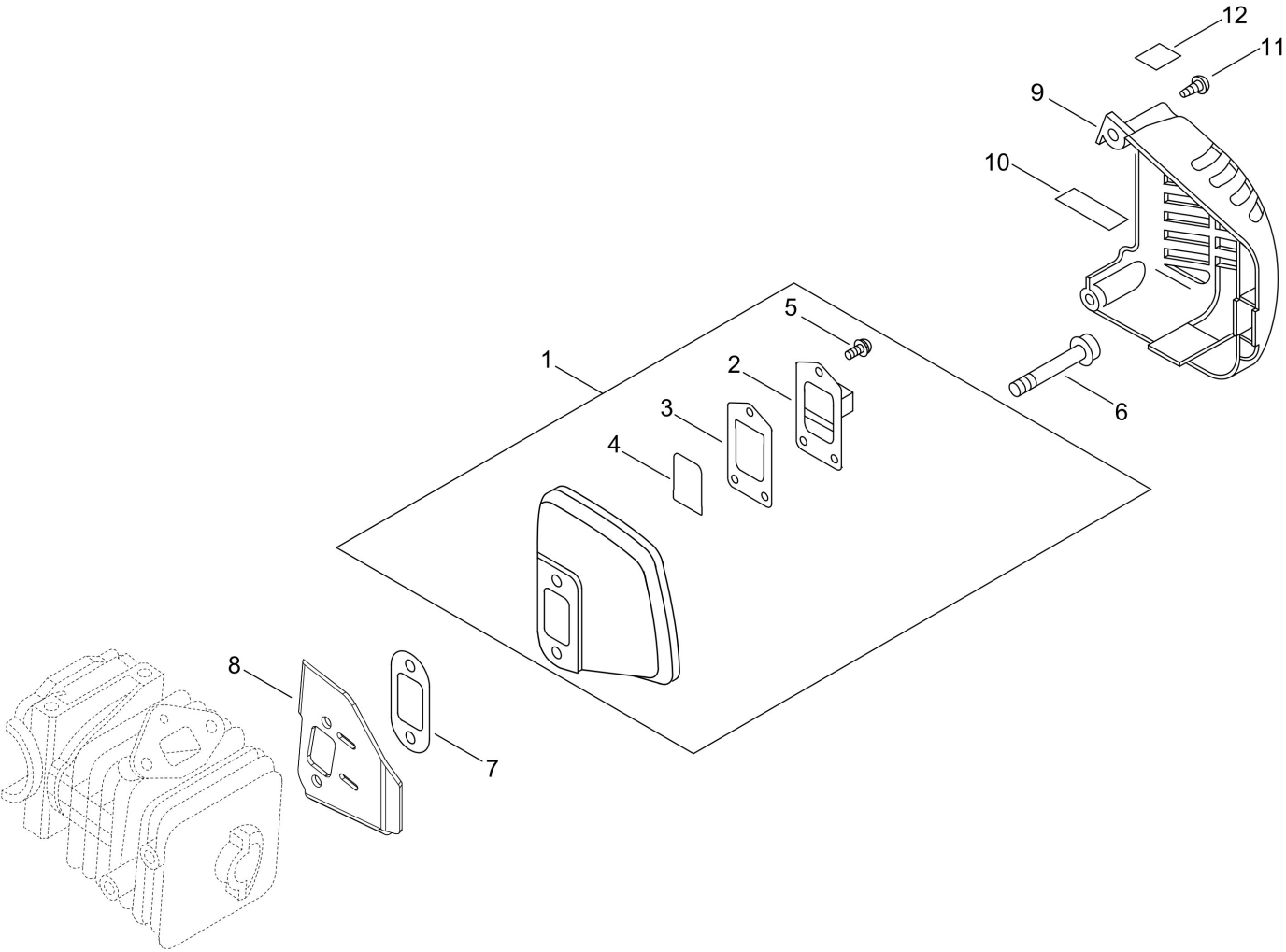
## Illustration 04\_AIR CLEANER, CARBURETOR

| Nr. | Antal | Kod         | Beskrivning          | Bilaga | Recommended Stock | Remark        |
|-----|-------|-------------|----------------------|--------|-------------------|---------------|
| 1   | 1     | A021004191  | CARBURETOR,DIAPHRAGM |        |                   | Medium-moving |
| 2   | 2     | 90023805050 | SCREW 5*50           |        |                   |               |
| 3   | 1     | A202000001  | BELLOWS,INTAKE       |        |                   | Slow-moving   |
| 4   | 2     | 90016204012 | BOLT, H.S. 4*12      |        |                   |               |
| 5   | 1     | A225000025  | CASE,CLEANER         |        |                   | Slow-moving   |
| 6   | 1     | V358000021  | COLLAR,14            |        |                   | Slow-moving   |
| 7   | 1     | A244000000  | PLATE,PREVENT        |        |                   | Slow-moving   |
| 8   | 1     | A226000051  | ELEMENT,AIR FILTER   |        |                   | Fast-moving   |
| 9   | 1     | P100002770  | CLEANER COVER ASY    |        |                   |               |
| 10  | 1     | A235000040  | KNOB,CLEANER LID     |        |                   | Slow-moving   |
| 11  | 1     | 13192502310 | WASHER,CIRCULAR      |        |                   | Slow-moving   |
| 12  | 1     | X503012600  | LABEL,MODEL          |        |                   | Slow-moving   |



## Illustration 05\_CARBURETOR

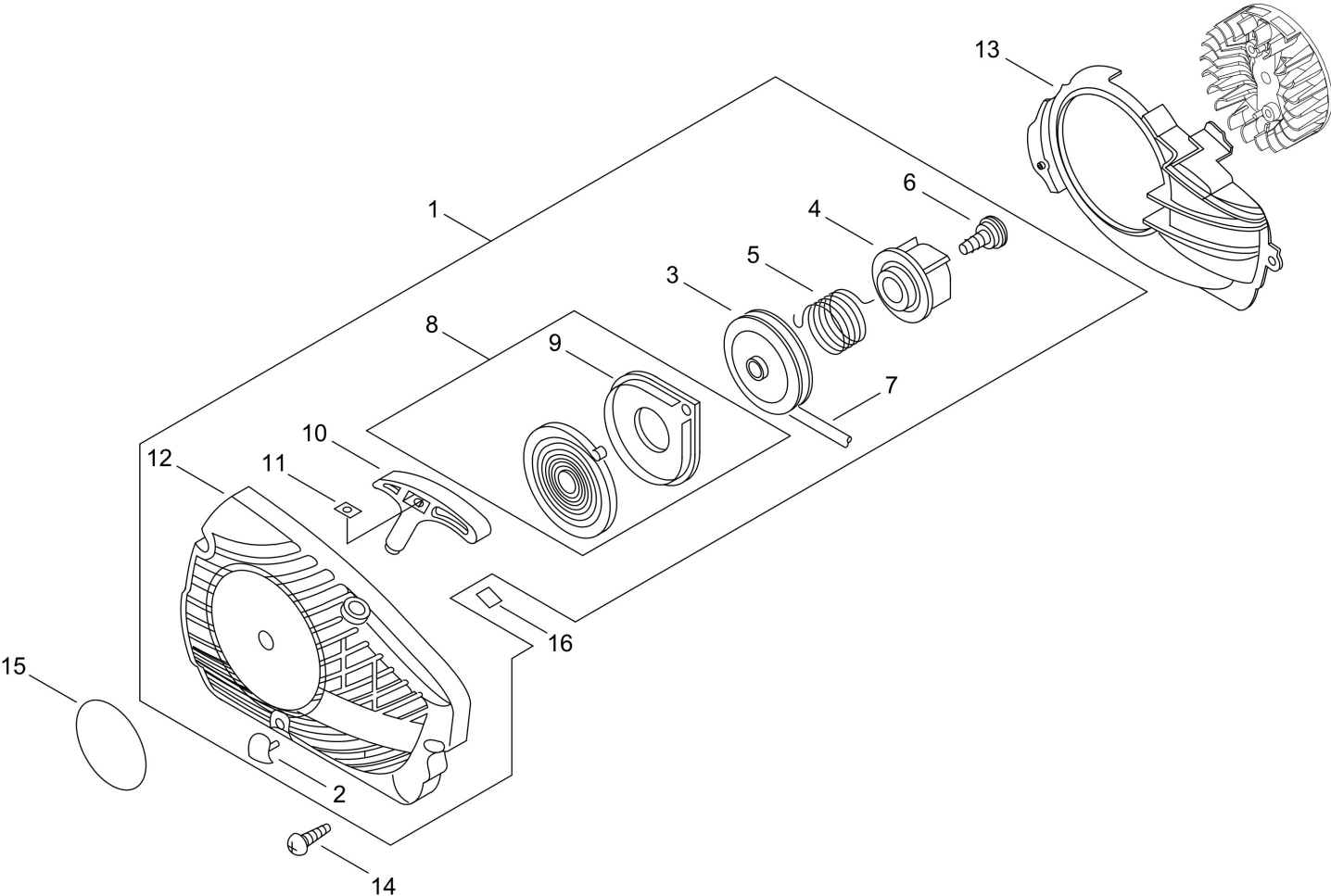
| Nr. | Antal | Kod         | Beskrivning          | Bilaga | Recommended Stock | Remark        |
|-----|-------|-------------|----------------------|--------|-------------------|---------------|
| 1   | 1     | A021004191  | CARBURETOR,DIAPHRAGM |        |                   | Medium-moving |
| 2   | 1     | 12312610631 | SCREEN, INLET        |        |                   | Medium-moving |
| 3   | 1     | 12312424430 | COVER, FUEL PUMP     |        |                   | Slow-moving   |
| 4   | 1     | 12311003930 | SCREW, PUMP COVER    |        |                   | Slow-moving   |
| 5   | 1     | 12312515030 | GASKET, FUEL PUMP    |        |                   | Fast-moving   |
| 6   | 1     | 12311215030 | DIAPHRAGM, FUEL PUMP |        |                   | Fast-moving   |
| 7   | 1     | 12313719830 | VALVE, INLET NEEDLE  |        |                   | Slow-moving   |
| 8   | 1     | 12314003930 | GASKET, M. DIAPHRAGM |        |                   | Fast-moving   |
| 9   | 1     | P003001850  | DIAPHRAGM, METERING  |        |                   | Fast-moving   |
| 10  | 1     | 12314203930 | COVER, M. DIAPHRAGM  |        |                   | Slow-moving   |
| 11  | 1     | 12312203660 | SPRING, METER. LEVER |        |                   | Slow-moving   |
| 12  | 1     | 12313903930 | SCREW, M. LEVER PIN  |        |                   | Slow-moving   |
| 13  | 1     | 12313803930 | PIN, METERING LEVER  |        |                   | Slow-moving   |
| 14  | 1     | 12312303930 | LEVER, METERING      |        |                   | Slow-moving   |
| 15  | 1     | 12314610630 | PLUG, WELCH          |        |                   |               |
| 16  | 1     | 12311605960 | VALVE, THROTTLE      |        |                   | Slow-moving   |
| 17  | 1     | P003002380  | SCREW                |        |                   | Slow-moving   |
| 18  | 1     | 12311337530 | SPRING, THROTTLE RTN |        |                   | Medium-moving |
| 19  | 1     | P003005350  | SHAFT ASSY, THROTTLE |        |                   |               |
| 20  | 1     | P003000380  | THROTTLE, LEVER      |        |                   | Slow-moving   |
| 21  | 2     | 12311438830 | SCREW                |        |                   | Slow-moving   |
| 22  | 1     | 12313304260 | SPRING, IDLE ADJUST  |        |                   | Slow-moving   |
| 23  | 1     | 12313404260 | SCREW, IDLE ADJUST   |        |                   | Slow-moving   |
| 24  | 2     | P003004190  | NEEDLE               |        |                   | Slow-moving   |
| 25  | 2     | 12312715030 | RING                 |        |                   | Slow-moving   |
| 26  | 1     | P003000410  | VALVE CHOKE          |        |                   | Slow-moving   |
| 27  | 1     | P003004780  | SPRING               |        |                   | Slow-moving   |
| 28  | 1     | P003004790  | SHAFT-CHOKE(MOLD)    |        |                   |               |
| 29  | 1     | P003001510  | LEVER-FAST IDLE      |        |                   | Slow-moving   |
| 30  | 4     | 12313002960 | SCREW                |        |                   | Slow-moving   |
| 31  | 1     | 12318609660 | SPRING, START VALVE  |        |                   | Slow-moving   |
| 32  | 1     | 12318509660 | PISTON ASSY          |        |                   | Slow-moving   |
| 33  | 1     | 12313609660 | BALL                 |        |                   | Slow-moving   |
| 34  | 1     | P003005090  | PLUG CUP             |        |                   |               |



## Illustration 06\_MUFFLER

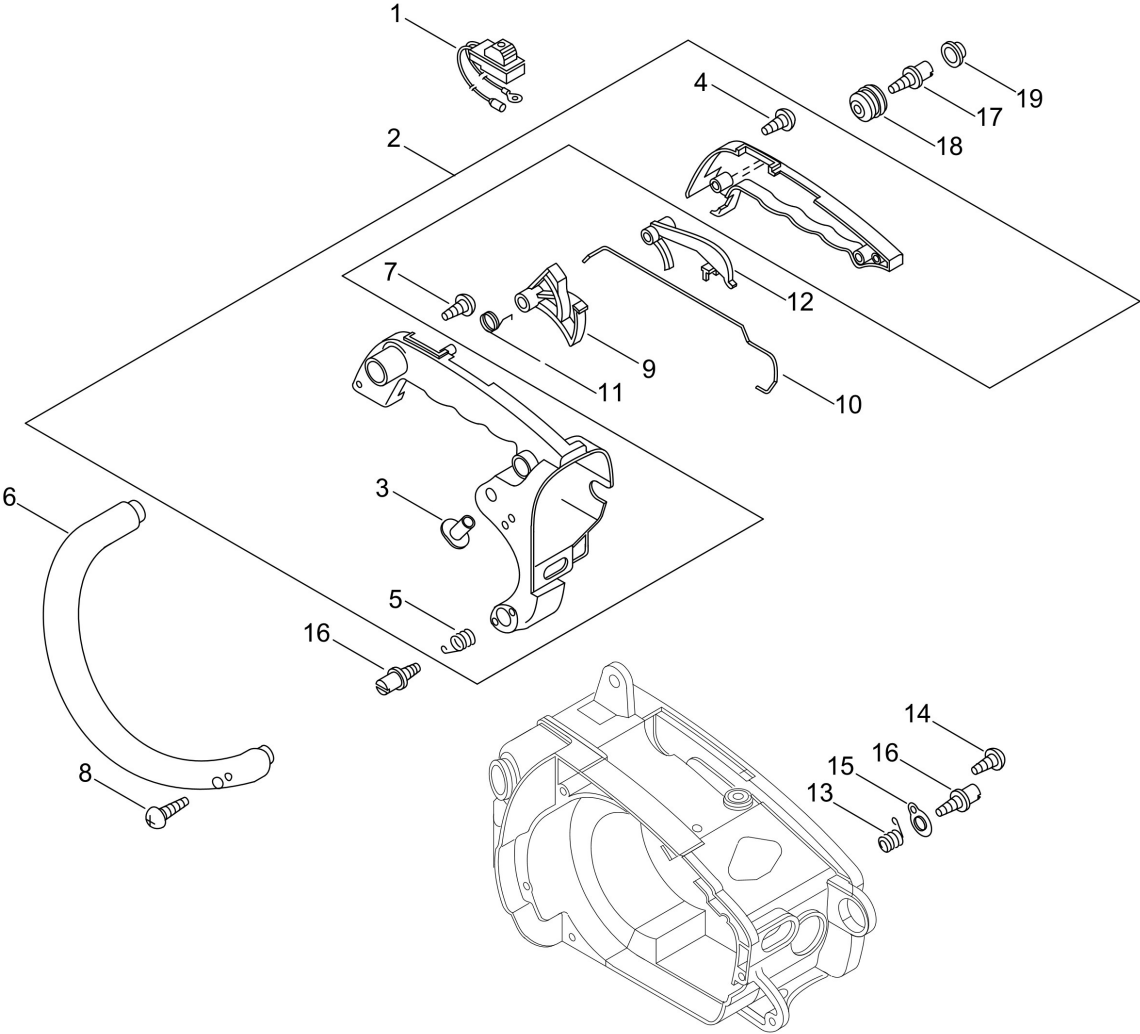
| Nr. | Antal | Kod         | Beskrivning      | Bilaga | Recommended Stock | Remark        |
|-----|-------|-------------|------------------|--------|-------------------|---------------|
| 1   | 1     | P100002800  | MUFFLER ASY      |        |                   |               |
| 2   | 1     | A313001970  | GUIDE, EXHAUST   |        |                   | Slow-moving   |
| 3   | 1     | V104001850  | GASKET,EXHAUST   |        |                   | Fast-moving   |
| 4   | 1     | A310000420  | SCREEN, ARRESTOR |        |                   | Medium-moving |
| 5   | 3     | 90024204008 | SCREW            |        |                   |               |
| 6   | 2     | 9110705045  | BOLT HSH, FLANGE |        |                   |               |
| 7   | 1     | V104001860  | GASKET,EXHAUST   |        |                   | Fast-moving   |
| 8   | 1     | A312000060  | PLATE, EXHUST    |        |                   | Slow-moving   |
| 9   | 1     | A320001030  | COVER,MUFFLER    |        |                   | Slow-moving   |
| 10  | 1     | V341000180  | WASHER,SQUARE    |        |                   | Slow-moving   |
| 11  | 2     | 90025304016 | SCREW, TAPPING   |        |                   |               |
| 12  | 1     | X505007710  | LABEL,CAUTION    |        |                   | Slow-moving   |

Illustration 07\_RECOIL STARTER



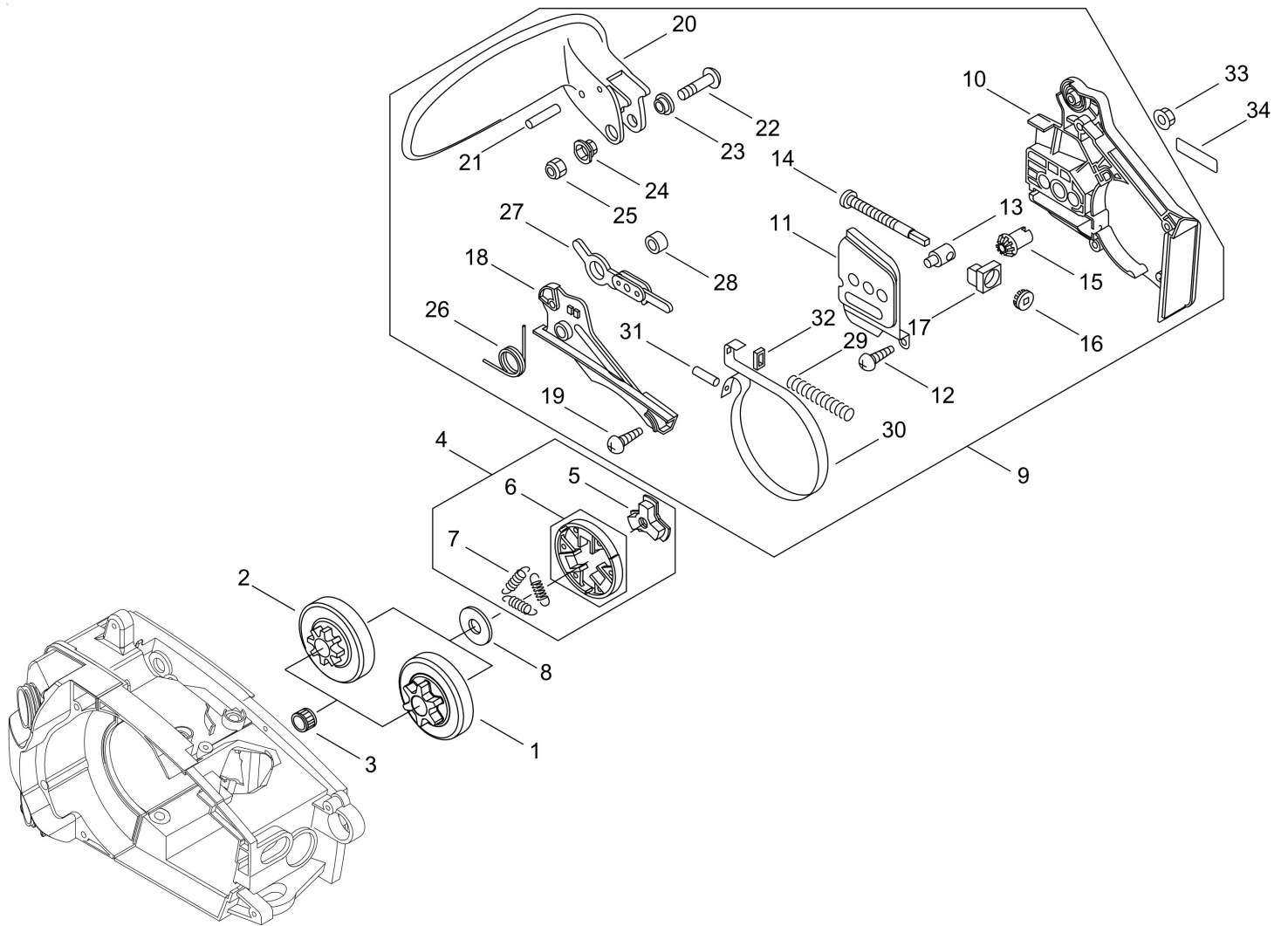
## Illustration 07\_RECOIL STARTER

| Nr. | Antal | Kod         | Beskrivning        | Bilaga | Recommended Stock | Remark        |
|-----|-------|-------------|--------------------|--------|-------------------|---------------|
| 1   | 1     | A051002540  | STARTER,RECOIL ASY |        |                   | Medium-moving |
| 2   | 1     | V162000150  | PLUG               |        |                   | Slow-moving   |
| 3   | 1     | A506000460  | REEL,ROPE          |        |                   | Slow-moving   |
| 4   | 1     | A507000110  | CATCHER,PAWL       |        |                   | Slow-moving   |
| 5   | 1     | V452001320  | SPRING,TORSION     |        |                   | Medium-moving |
| 6   | 1     | 17723661830 | SCREW              |        |                   |               |
| 7   | 7     | P022006220  | ROPE               |        |                   | Medium-moving |
| 8   | 1     | P022001330  | SPRING KIT, REWIND |        |                   | Medium-moving |
| 9   | 1     | P022033280  | SPRING CASE        |        |                   | Slow-moving   |
| 10  | 1     | P022001320  | GRIP, STARTER      |        |                   | Slow-moving   |
| 11  | 1     | P022037670  | STOPPER, ROPE      |        |                   | Slow-moving   |
| 12  | 1     | P022037530  | STARTER,RECOIL     |        |                   |               |
| 13  | 1     | A172002040  | COVER,FAN          |        |                   | Slow-moving   |
| 14  | 3     | 90025604016 | SCREW, TAPPING     |        |                   |               |
| 15  | 1     | X502000780  | LABEL,ECHO         |        |                   | Slow-moving   |
| 16  | 1     | X505006921  | LABEL,CAUTION      |        |                   | Slow-moving   |



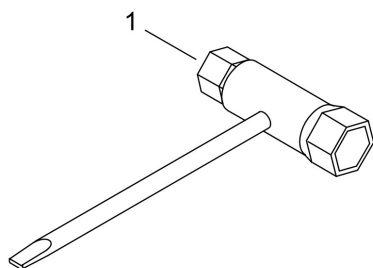
## Illustration 08\_HANDLE

| Nr. | Antal | Kod         | Beskrivning        | Bilaga | Recommended Stock | Remark        |
|-----|-------|-------------|--------------------|--------|-------------------|---------------|
| 1   | 1     | A440000211  | SWITCH,ON OFF      |        |                   | Slow-moving   |
| 2   | 1     | P021001965  | HANDLE SET, REAR   |        |                   | Slow-moving   |
| 3   | 2     | 13002033330 | NUT                |        |                   | Slow-moving   |
| 4   | 4     | 90025604016 | SCREW, TAPPING     |        |                   |               |
| 5   | 1     | V450000340  | SPRING,COMPRESSION |        |                   | Medium-moving |
| 6   | 1     | C400000050  | HANDLE,FRONT       |        |                   | Slow-moving   |
| 7   | 1     | 90025305020 | SCREW, TAPPING     |        |                   |               |
| 8   | 2     | 90025604016 | SCREW, TAPPING     |        |                   |               |
| 9   | 1     | C450000010  | TRIGGER,THROTTLE   |        |                   | Slow-moving   |
| 10  | 1     | C454000051  | ROD,THROTTLE       |        |                   | Slow-moving   |
| 11  | 1     | V452000010  | SPRING,TORSION     |        |                   | Medium-moving |
| 12  | 1     | C460000002  | LOCKOUT,THROTTLE   |        |                   | Slow-moving   |
| 13  | 1     | V450000080  | SPRING,COMPRESSION |        |                   | Medium-moving |
| 14  | 1     | 90025304012 | SCREW, TAPPING     |        |                   |               |
| 15  | 1     | V150003810  | PLATE,EYE          |        |                   | Slow-moving   |
| 16  | 2     | V202000000  | BOLT,4             |        |                   | Slow-moving   |
| 17  | 1     | V202000020  | BOLT,4             |        |                   | Slow-moving   |
| 18  | 1     | 10092139131 | CUSHION            |        |                   | Medium-moving |
| 19  | 1     | 10091815130 | CAP                |        |                   | Slow-moving   |



## Illustration 09\_CHAIN BRAKE

| Nr. | Antal | Kod         | Beskrivning          | Bilaga | Recommended Stock | Remark        |
|-----|-------|-------------|----------------------|--------|-------------------|---------------|
| 1   | 1     | A556000092  | DRUM,CLUTCH          |        |                   | Medium-moving |
| 2   | 1     | A556000102  | DRUM,CLUTCH          |        |                   | Medium-moving |
| 3   | 1     | V555000170  | BEARING,NEEDLE 10    |        |                   | Medium-moving |
| 4   | 1     | A056000030  | CLUTCH               |        |                   | Medium-moving |
| 5   | 1     | A552000020  | HUB,CLUTCH           |        |                   | Medium-moving |
| 6   | 1     | P021001950  | CLUTCH SHOE SET      |        |                   | Medium-moving |
| 7   | 3     | V451000150  | SPRING,TENSION       |        |                   | Medium-moving |
| 8   | 1     | A551000010  | PLATE,CLUTCH         |        |                   | Slow-moving   |
| 9   | 1     | P021048911  | BRAKE,ASM CHAIN      |        |                   |               |
| 10  | 1     | C300000173  | GUARD,SPROCKET       |        |                   | Slow-moving   |
| 11  | 1     | C305000031  | PLATE,SPROCKET GUARD |        |                   | Slow-moving   |
| 12  | 1     | 90025304012 | SCREW, TAPPING       |        |                   |               |
| 13  | 1     | C309000030  | TENSIONER,CHAIN      |        |                   | Slow-moving   |
| 14  | 1     | V203000021  | BOLT,5               |        |                   | Slow-moving   |
| 15  | 1     | V651000001  | GEAR,BEVEL           |        |                   | Slow-moving   |
| 16  | 1     | V651000011  | GEAR,BEVEL           |        |                   | Slow-moving   |
| 17  | 1     | V355000800  | COLLAR,8             |        |                   | Slow-moving   |
| 18  | 1     | C345000114  | COVER,BRAKE          |        |                   | Slow-moving   |
| 19  | 2     | 90025304012 | SCREW, TAPPING       |        |                   |               |
| 20  | 1     | C320000034  | LEVER,BRAKE          |        |                   | Slow-moving   |
| 21  | 2     | 90033030260 | ROLLER               |        |                   |               |
| 22  | 1     | 9131805032  | SCREW                |        |                   | Slow-moving   |
| 23  | 1     | 43316739130 | SPACER               |        |                   | Slow-moving   |
| 24  | 1     | V353000060  | COLLAR,5             |        |                   | Slow-moving   |
| 25  | 1     | 90056250005 | NUT, LOCK            |        |                   |               |
| 26  | 1     | V452000110  | SPRING,TORSION       |        |                   | Medium-moving |
| 27  | 1     | C334000060  | CONNECTOR,BRAKE      |        |                   | Slow-moving   |
| 28  | 1     | 43311635430 | SPACER 8             |        |                   | Slow-moving   |
| 29  | 1     | V450000070  | SPRING,COMPRESSION   |        |                   | Medium-moving |
| 30  | 1     | C328000020  | BAND,BRAKE           |        |                   | Slow-moving   |
| 31  | 1     | 9305030098  | ROLLER               |        |                   |               |
| 32  | 1     | V376000450  | SPACER               |        |                   | Slow-moving   |
| 33  | 1     | V265000200  | NUT                  |        |                   | Slow-moving   |
| 34  | 1     | X502000340  | LABEL,ECHO           |        |                   | Slow-moving   |





## Illustration 10\_ACCESSORIES

---

| Nr. | Antal | Kod        | Beskrivning | Bilaga | Recommended Stock | Remark      |
|-----|-------|------------|-------------|--------|-------------------|-------------|
| 1   | 1     | X602000080 | TOOL,WRENCH |        |                   | Slow-moving |

# Illustration 11\_GUIDE BAR, CHAIN

| Pitch<br>ピッチ<br><br>(inch)<br>(mm) | Gauge<br>ゲージ<br><br>(inch)<br>(mm) | Length<br>長さ<br><br>(cm) | Guide Bar<br>ガイドバー |                 | Saw Chain<br>ソーチェーン |            | Chain Scabbard<br>チェーン スカバード |                      | Hard<br>Nose<br>ハード<br>ノーズ<br><br> | Sprocket<br>Nose<br>スプロケット<br>ノーズ<br><br> |
|------------------------------------|------------------------------------|--------------------------|--------------------|-----------------|---------------------|------------|------------------------------|----------------------|---|--|
|                                    |                                    |                          | Key №              | Type<br>形式      | Key №               | Type<br>形式 | Key №                        | Length<br>長さ<br>(cm) |   |  |
| 3/8<br>9.53                        | 0.050<br>1.27                      | 25                       | A1                 | C25S91-40SL-ET  | A2                  | 91PX-40E   | 13                           | 26                   |   | ●  |
| 1/4<br>6.35                        | 0.050<br>1.27                      | 25                       | B1                 | C25H25-60CLD ED | B2                  | 25AP-60E   | 13                           | 26                   | ●   |  |
| 1/4<br>6.35                        | 0.043<br>1.09                      | 20                       | C1                 | C20HA4-52CL- ED | C2                  | A4S-52E    | 13                           | 26                   | ●   |  |
| 1/4<br>6.35                        | 0.043<br>1.09                      | 25                       | D1                 | C25HA4-60CL- ED | D2                  | A4S-60E    | 13                           | 26                   | ●   |  |
| 1/4<br>6.35                        | 0.050<br>1.27                      | 25                       | E1                 | C25H25-60CL- ET | E2                  | 25AP-60E   | 13                           | 26                   | ●   |  |
| 3/8<br>9.53                        | 0.050<br>1.27                      | 30                       | F1                 | C30S91-47ML- EC | F2                  | 91PX-47E   | 14                           | 35                   |   | ●  |

## Illustration 11\_GUIDE BAR, CHAIN

| Nr. | Antal | Kod         | Beskrivning         | Bilaga    | Recommended Stock | Remark      |
|-----|-------|-------------|---------------------|-----------|-------------------|-------------|
| A1  | 1     | X121000003  | BAR,GUIDE 25        |           |                   | Fast-moving |
| A2  | 1     | X221000100  | CHAIN,SAW           |           |                   | Fast-moving |
| B1  | 1     | X101000200  | BAR,GUIDE 25        | Y2026-786 |                   | Fast-moving |
| B2  | 1     | 43161010030 | CHAIN, SAW 25AP-60E |           |                   | Fast-moving |
| C1  | 1     | X100000070  | BAR,GUIDE 20        | Y2026-786 |                   | Fast-moving |
| C2  | 1     | X200000020  | CHAIN,SAW           |           |                   | Fast-moving |
| D1  | 1     | X101000210  | BAR,GUIDE 25        | Y2026-786 |                   | Fast-moving |
| D2  | 1     | X201000020  | CHAIN,SAW           |           |                   | Fast-moving |
| E1  | 1     | X101000011  | BAR,GUIDE 25        |           |                   | Fast-moving |
| E2  | 1     | 43161010030 | CHAIN, SAW 25AP-60E |           |                   | Fast-moving |
| F1  | 1     | X122000341  | BAR,GUIDE 30        |           |                   | Fast-moving |
| F2  | 1     | X222000140  | CHAIN,SAW           |           |                   | Fast-moving |
| 13  | 1     | X490000840  | SCABBARD,CHAIN      |           |                   | Slow-moving |
| 14  | 1     | X490000510  | SCABBARD,CHAIN      |           |                   | Slow-moving |